

*Midway's*

GAME NO. 618  
JULY 1977

# DESERT GUN

## PARTS CATALOG



**MIDWAY MFG. CO.**

A BALLY COMPANY

10750 WEST GRAND AVENUE  
FRANKLIN PARK, ILLINOIS, 60131, U. S. A.

PHONE: (312) 451-1360    CABLE ADDRESS: MIDCO    TELEX NO.: 72-1596

# TABLE OF CONTENTS

---

|                                | Page No. |
|--------------------------------|----------|
| GENERAL INSTRUCTIONS           | 1        |
| RIFLE ALIGNMENT PROCEDURE      | 2        |
| SWITCH ADJUSTMENTS             | 3        |
| NO.618—DESERT GUN              | 4—5      |
| RIFLE ASSEMBLY                 | 6—8      |
| NOTES                          | 9        |
| FLUORESCENT BRACKET ASSEMBLY   | 10—11    |
| FRONT DOOR ASSEMBLY            | 12—13    |
| UPPER BACK DOOR                | 14—15    |
| SCENERY CARDS                  | 16—17    |
| ADDITIONAL PARTS LIST          | 18       |
| GAME BOARD COMPONENTS LAYOUT   | 19       |
| MOTHER BOARD COMPONENTS LAYOUT | 20       |
| POWER SUPPLY COMPONENTS LAYOUT | 21       |
| MONITOR SCHEMATIC              | 22       |

## NOTICE

DESERT GUN CATALOG COVERS BOTH ROAD RUNNER & DESERT GUN. BOTH GAMES ARE THE SAME, THERE WAS JUST A NAME CHANGE DURING PRODUCTION.

## GENERAL INSTRUCTIONS FOR "DESERT GUN"

### INSTALLATION:

1. Remove shipping cleats located on the bottom of the cabinet.
2. Install 4 provided leg levelers to bottom of cabinet and level cabinet.
3. The power is controlled by a switch located on top of the cabinet. Plug into A.C. only 115 volts, 60 cycles. In low line areas (105 volts or less) a boost in the output voltage of the transformer may be obtained by removing the wire from the 115 volt of the transformer and rewiring to the 105 volt position.

### VOLTAGE CONTROL POTS:

Located on Power Supply Board (P.C. 0080-0094D) and are preset at the factory. These pots should not be tampered with unless the Distributor Service Department is contacted.

### MUSIC (1 Meg) AND VOLUME (50K) ADJUSTMENT POTS:

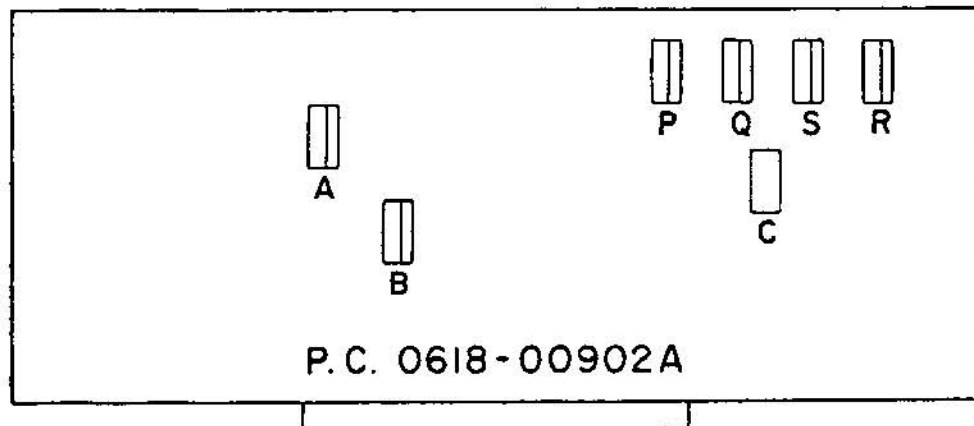
Located on Game Logic Board (P.C. 0618-00902D) The 1 Meg Music Pot raises or lowers the volume of the background music. The 50K Pot raises or lowers all sounds. (See sketch below)

### RIFLE ALIGNMENT POTS:

Located on Game Logic Board (P.C. 0618-00902D) See separate instructions in back box area for alignment procedure. See sketch below for alignment pot locations.

### COIN, TIME, LANGUAGE AND EXTENDED PLAY OPTION SWITCHES:

Located on Game Logic Board (P.C. 0618-00902D) and may be adjusted as indicated on separate instructions sheet in back box area. See sketch below for switch location.



- A - MUSIC POT
- B - VOLUME POT
- C - COIN, TIME, ETC. OPTION SWITCH
- P, Q, R, S, - RIFLE ALIGNMENT POTS

## RIFLE ALIGNMENT PROCEDURE

1. Set option switches #7 and #8 (Located on P.C. Board 0618-00902E in rear of game) to "off" position. Close tilt switch on front door assembly. This switch closure will initiate the Ram/Rom test.
2. Pull and hold trigger switch. At the end of the Ram/Rom test cycle, the alignment pattern will appear. Release trigger switch.
3. Set alignment pots P, Q, R, S, (located on P.C. Board 0618-00902E in rear of game) to approximately center position.
4. The entire front panel of this unit is removable to ease service problems. To remove this panel release clamps located on each inside wall of cabinet thru cash box door opening.
5. Disengage spring loaded gear rack (located on lower rifle assembly) from gear assembly by pulling rack away from gear. Do not loosen set screws on gear assemblies.
6. Rotate 25K horizontal and vertical pot gears (located on lower rifle assembly) until rifle dot aligns itself approximately with alignment pattern dot and rifle sights. Should the rifle object dot cross any portion of the alignment pattern that portion will disappear. Depress trigger switch to reset alignment pattern.
7. Aim rifle object dot approximately at the center of horizontal line "P" about 1" below horizontal line.
8. Rotate alignment pot "P" until rifle object dot aligns itself with rifle sights and area aimed at. Rotating all alignment pots counterclockwise (as viewed from pot face) moves rifle object dot toward the center of the screen.
9. Aim rifle object dot approximately at the center of horizontal line "Q" about 1" above horizontal line.
10. Rotate alignment pot "Q" until rifle object dot aligns itself with rifle sights and area aimed at.
11. Repeat steps 7 thru 10 to fine tune alignment.
12. Aim rifle object dot approximately at the center of vertical line "R" about 1" right of vertical line.
13. Rotate alignment pot "R" until rifle object dot aligns itself with rifle sights and area aimed at.
14. Aim rifle object dot approximately at the center of vertical line "S" about 1" left of vertical line.
15. Rotate alignment pot "S" until rifle object dot aligns itself with rifle sights and area aimed at.
16. Repeat steps 12 thru 15 to fine tune alignment.
17. When alignment procedure has been completed, reset switches #7 and #8 to desired extended play positions.
18. Depress power switch "off" and then "on" to reset game to play mode.
19. Note low +5 voltage can cause alignment problems.

### METHOD OF PLAY ADJUSTMENTS

|                   | SW. #1 | SW. #2 |
|-------------------|--------|--------|
| 1 COIN – 1 PLAY   | ON     | ON     |
| 1 COIN – 2 PLAYS  | OFF    | OFF    |
| 2 COINS – 1 PLAY  | ON     | OFF    |
| 2 COINS – 3 PLAYS | OFF    | OFF    |

### TIME ADJUSTMENTS

|            | SW. #3 | SW. #4 |
|------------|--------|--------|
| 40 SECONDS | ON     | ON     |
| 50 SECONDS | OFF    | ON     |
| 60 SECONDS | ON     | OFF    |
| 70 SECONDS | OFF    | OFF    |

### LANGUAGE ADJUSTMENTS

|              | SW. #5 | SW. #6 |
|--------------|--------|--------|
| ENGLISH      | ON     | ON     |
| GERMAN       | OFF    | ON     |
| FRENCH       | ON     | OFF    |
| SCANDANAVIAN | OFF    | OFF    |

### SCORE ADJUSTMENTS

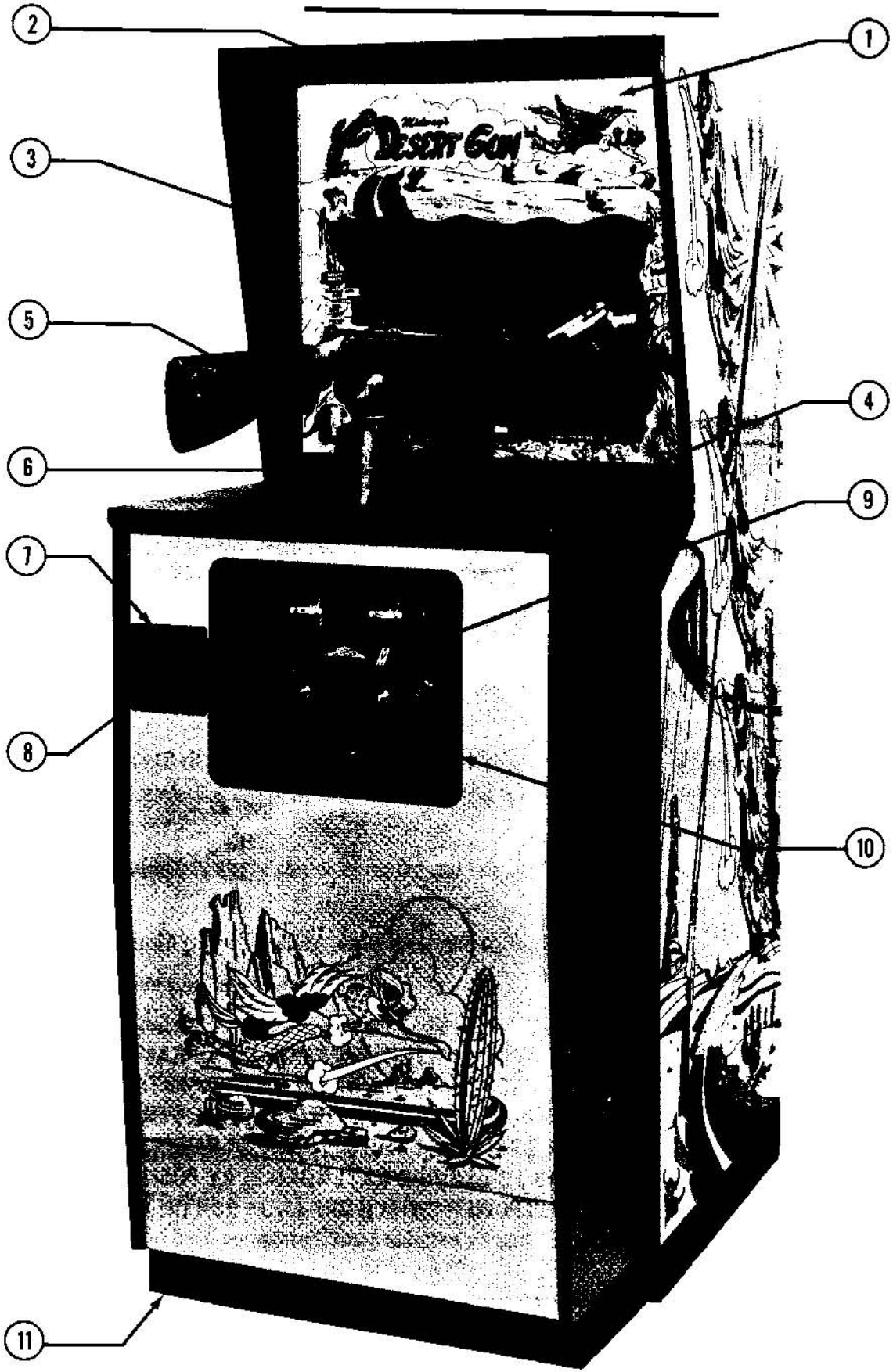
|                       | SW. #7 | SW. #8 |
|-----------------------|--------|--------|
| EXTENDED PLAY AT:     |        |        |
| 5000                  | ON     | ON     |
| 7000                  | OFF    | ON     |
| 9000                  | ON     | OFF    |
| *DIAGNOSTIC/ALIGNMENT | OFF    | OFF    |

\*NOTE: WHEN IN THE DIAGNOSTIC/ALIGNMENT MODE, THE RAM/ROM TEST WILL CONTINUE TO REPEAT UNTIL THE TRIGGER SWITCH IS CLOSED. THIS SWITCH CLOSURE INITIATES THE ALIGNMENT PROGRAM. THE ALIGNMENT PATTERN WILL APPEAR WHEN THE RAM/ROM TEST HAS COMPLETED IT'S CYCLE TO RESET THE ALIGNMENT PATTERN PULL TRIGGER AGAIN. RESET SWITCHES #7 AND #8 TO DESIRED EXTENDED PLAY POSITIONS. WHEN ALIGNMENT HAS BEEN COMPLETED, DEPRESS POWER SWITCH OFF AND THEN ON TO RESET GAME TO PLAY MODE.

### WARNING

**THIS GAME MUST BE GROUNDED. FAILURE TO DO SO MAY RESULT IN DESTRUCTION TO ELECTRONIC COMPONENTS.**

NO. 618 - DESERT GUN PICTURE



**MIDWAY MFG. CO.**  
A BALLY COMPANY

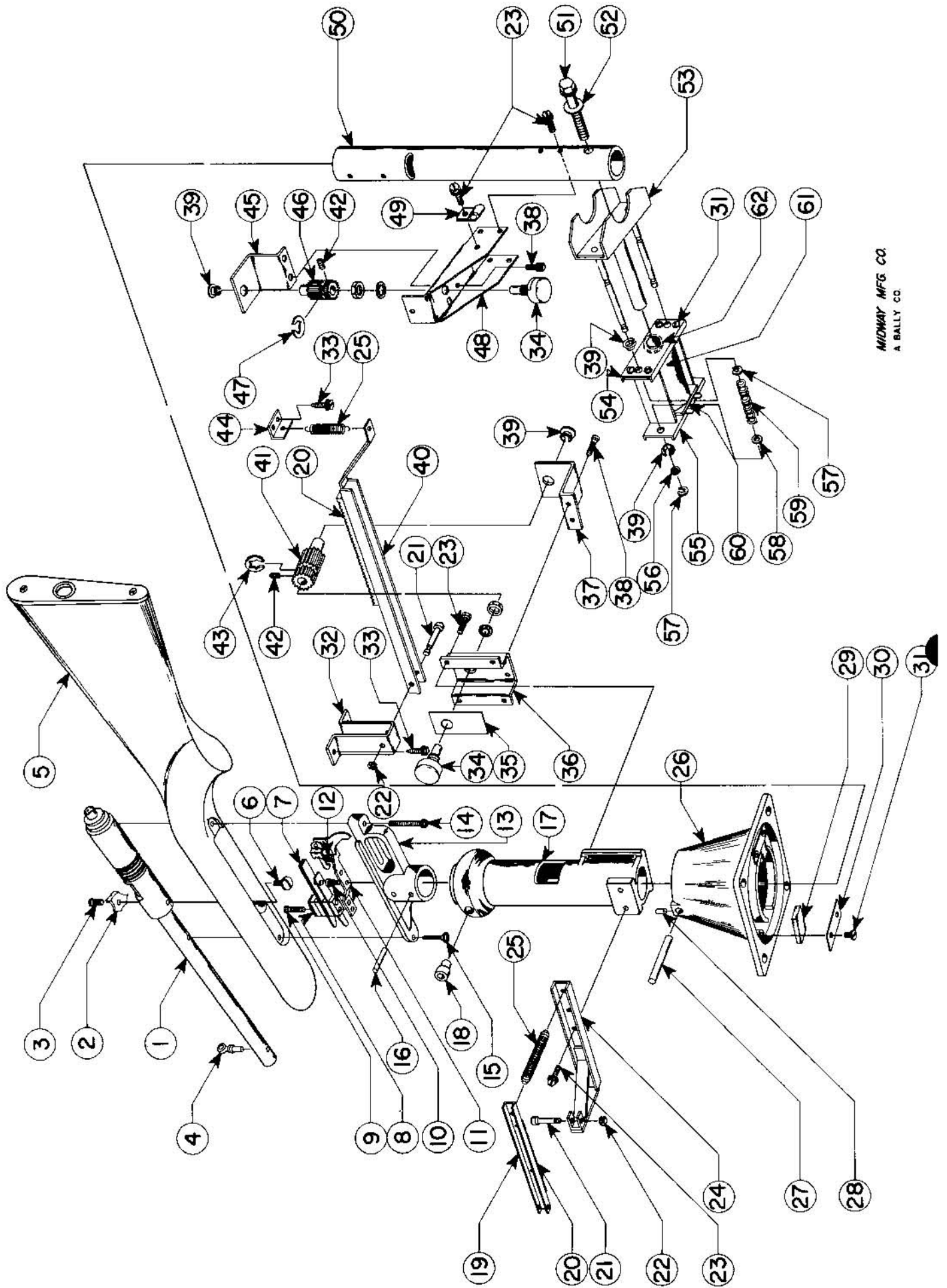
**PRICE LIST***ORDER BY PART NUMBER ONLY*

| ITEM | PART NO         | DESCRIPTION                             | PRICE   |
|------|-----------------|---|---------|
| 1    | 0618-00900-01SC | DISPLAY PLEX                            | \$35.80 |
| 2    | 0537-00903-3100 | CYCLOAC GLASS EDGING                    | .50     |
| 3    | 0537-00903-0200 | CYCLOAC GLASS EDGING (2 REQ'D.)         | .50     |
| 4    | 0537-00138-0000 | GLASS LIFT BRACKET                      | 2.80    |
| 5    | 0618-00002-0000 | RIFLE ASSEMBLY                          | 77.30   |
| 6    | 0618-00003-0000 | GUN MOUNT SUB ASSEMBLY                  | 175.60  |
| 7    | 0569-00001-00BR | SPEAKER BEZEL ASSEMBLY                  | 2.00    |
| 8    | 0549-00128-0000 | SPEAKER GRILL                           | 1.20    |
|      | 0017-00003-0161 | SPEAKER                                 | 3.90    |
|      | 0017-0041-0576  | SPEAKER GASKET                          | .20     |
|      | 0017-00103-0005 | #6 - 32 HEX NUTS (4 REQ'D.)             | .20     |
| 9    | 0090-00020-02BR | DOUBLE ENTRY COIN DOOR                  | 128.00  |
| 10   | 0090-00002-02BR | COIN DOOR FRAME                         | 7.90    |
| 11   | 0017-00102-0048 | LEG LEVELER (4 REQ'D.)                  | .50     |
|      | 0017-00103-0026 | LEG LEVELER NUT (4 REQ'D.)              | .20     |
|      |                 | <u>NOT SHOWN LIST</u>                   |         |
|      | 0618-00116-0000 | GLASS LOCK BRACKET (2 REQ'D.)           | 1.60    |
|      | 0017-00009-0009 | TURN BUTTON (2 REQ'D.)                  | .20     |
|      | 0017-00101-0018 | #6 x 3/4 HX. HD. BLK. S.M.S. (6 REQ'D.) | .20     |
|      | 0566-00120-0000 | CASH BOX                                | 6.40    |
|      | 0566-00121-0000 | CASH BOX COVER                          | 2.20    |
|      | 0601-00010-0000 | CASH BOX LOCK BRACKET                   | 1.50    |
|      | 0017-00101-0579 | CARRIAGE BOLT (2 REQ'D.)                | .20     |
|      | 0017-00103-0005 | NUTS (6 - 32 HEX) (2 REQ'D.)            | .20     |
|      | 0618-00120-0000 | MIRROR SUPPORT EXTRUSION<br>(2 REQ'D.)  | 1.10    |
|      | 0618-00909-0000 | 1/8 REG. MIRROR (UPPER)                 | 12.90   |
|      | 0618-00908-0000 | MIRROR PANE MIRROR (LOWER)              | 60.50   |
|      | 0618-00114-0000 | MIRROR RETAINER BRACKET                 | .60     |
|      | 0618-00115-0000 | MIRROR RETAINER BRACKET                 | .50     |
|      | 0017-00009-0033 | BASSICK CLAMP (2 REQ'D.)                | 1.80    |
|      | 0603-00131-0000 | STRIKE (MIDWAY) (2 REQ'D.)              | .40     |
|      | 0017-00101-0027 | #8 x 3/4 HX. HD. WOODSCREWS (8 REQ'D.)  | .20     |
|      | 0017-00003-0140 | 23" MOTOROLA MONITOR                    | 390.00  |
|      | 0017-00101-0637 | #8 - 32 x 1 CARRIAGE BOLT (4 REQ'D.)    | .20     |
|      | 0017-00104-0022 | WASHER (4 REQ'D.)                       | .20     |
|      | 0017-00103-0008 | NUTS (8 - 32 HEX) (4 REQ'D.)            | .20     |
|      | 0618-00124-0000 | PROTECTIVE BRACKET                      | 3.20    |
|      | 0017-00101-0017 | #6 x 1/2 HEX HD. W/W S.M.S. (4 REQ'D.)  | .20     |

**MIDWAY MFG. CO.**

PRICES SUBJECT TO CHANGE WITHOUT NOTICE

**NO. 618 - DESERT GUN - RIFLE ASSEMBLY**



MIDWAY MFG. CO.  
A BALLY CO.



**PRICE LIST***ORDER BY PART NUMBER ONLY*

| ITEM | PART N <sup>o</sup> | DESCRIPTION                                       | PRICE |
|------|---------------------|---|-------|
| 1    | 0549-0051-0000      | GUN BARREL ASSEMBLY                               | 21.20 |
| 2    | 0518-00138-0000     | REAR GUN SIGHT                                    | .50   |
| 3    | 0017-00101-0328     | #6 - 32 x 1/4 BUTTON HD. SOCKET<br>SCR.           | .20   |
| 4    | 0538-00718-0000     | FRONT GUN SIGHT                                   | 1.30  |
| 5    | 0542-00009-0000     | WOOD GUN STOCK ASSEMBLY                           | 42.80 |
| 6    | 0017-00102-0007     | 1/4 - 20 x 3/4 RD. HD. MACH. SCR.                 | .20   |
| 7    | 0618-00009-0000     | TRIGGER SWITCH ASSEMBLY                           | .90   |
| 8    | 0020-00202-0000     | HEADER PLATE                                      | .20   |
| 9    | 0017-00101-0523     | #5 - 40 x 1/2 BIND. HD. MACH. SCR.<br>(2 REQ'D.)  | .20   |
| 10   | 0017-00101-0554     | #6 - 32 x 1/4 SEMS MACH. SCR.<br>(2 REQ'D.)       | .20   |
| 11   | 0542-00010-0000     | TRIGGER ASSEMBLY                                  | 2.50  |
| 12   | 0010-00176-0100     | SPRING  | .20   |
| 13   | 0538-00908-0000     | TRIGGER HOUSING                                   | 5.40  |
| 14   | 0017-00102-0027     | 1/4 - 20 - 2" SOC. HD. CAP SCR.                   | .20   |
| 15   | 0017-00101-0336     | 1/4 - 20 - 2" FLAT HD. SOC. SCR.                  | .30   |
| 16   | 0017-00007-0097     | 3/16 DIA. x 1-5/8 ROLL PIN                        | .20   |
| 17   | 0618-00901-0000     | PIVOT HOUSING                                     | 26.30 |
| 18   | 0518-00700-0000     | TRUST BUSHING                                     | .60   |
| 19   | 0618-00101-0000     | HORIZONTAL RACK MTG. BRKT.                        | .60   |
| 20   | 0618-00903-0000     | RACK - 32 PITCH (2 REQ'D.)                        | 1.10  |
| 21   | 0618-00701-0000     | PIN - RACK PIVOT (2 REQ'D.)                       | .40   |
| 22   | 0017-00100-0012     | "E" RING (2 REQ'D.)                               | .20   |
| 23   | 0017-00101-0598     | #8 - 32 x 5/16 HEX. HD. S.T.S. (11 REQ'D.)        | .20   |
| 24   | 0618-00001-0000     | HORIZONTAL MTG. BRKT. ASSY.                       | 3.20  |
| 25   | 0010-00244-0000     | SPRING - RACK (2 REQ'D.)                          | .20   |
| 26   | 0518-00902-0000     | GUN MOUNT   | 33.50 |
| 27   | 0518-00701-0000     | PIVOT SHAFT                                       | .70   |
| 28   | 0017-00007-0073     | ROLL PIN  | .20   |
| 29   | 0518-00918-0000     | STOP - GUN (2 REQ'D.)                             | .80   |
| 30   | 0618-00110-0000     | RETAINER AND STOP (2 REQ'D.)                      | .50   |
| 31   | 0017-00101-0647     | #10 - 32 x 1/4 BIND. HD. MACH.<br>SCR. (8 REQ'D.) | .20   |
| 32   | 0618-00108-0000     | VERTICAL PIVOT BRKT. RACK                         | .70   |
| 33   | 0017-00101-0028     | WOOD SCREWS (4 REQ'D.)                            | .20   |
| 34   | 0063-2770X-1GKX     | POTENTIOMETER (2 REQ'D.)                          | 5.20  |
| 35   | 0618-00119-0000     | INSULATOR - VERTICAL POT.                         | .20   |

**MIDWAY MFG. CO.**

PRICES SUBJECT TO CHANGE WITHOUT NOTICE

PAGE 7

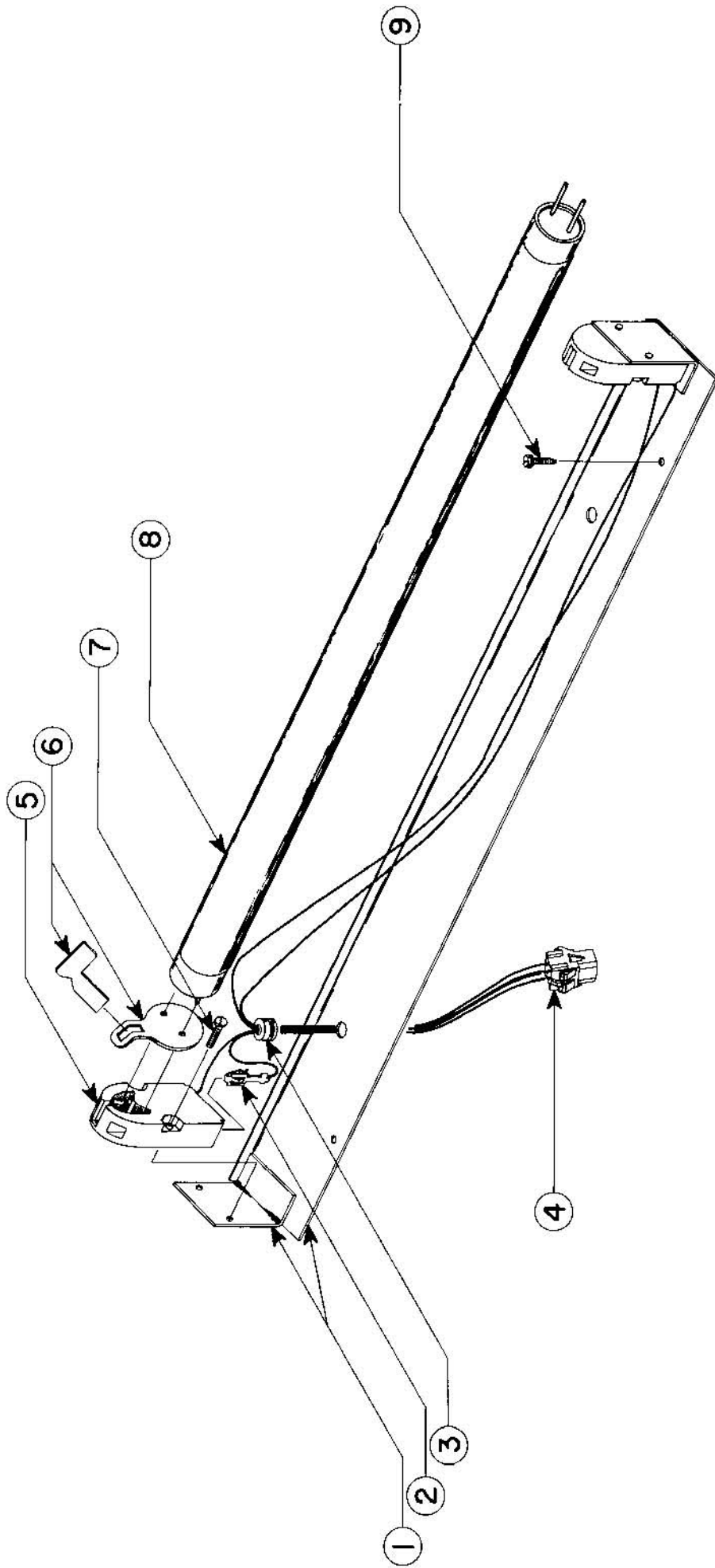
**PRICE LIST***ORDER BY PART NUMBER ONLY*

| ITEM | PART NO         | DESCRIPTION                               | PRICE |
|------|-----------------|---|-------|
| 36   | 0618-00106-0000 | VERTICAL POT. MTG. BRKT.                  | .90   |
| 37   | 0618-00104-0000 | VERTICAL GEAR SUPPORT BRKT.               | .40   |
| 38   | 0017-00101-0555 | #6 - 32 x 5/16 HEX. HD. S.T.S. (4 REQ'D.) | .20   |
| 39   | 0017-00042-0023 | #6L2FF NYLINER (6 REQ'D.)                 | .20   |
| 40   | 0618-00100-0000 | VERTICAL RACK MTG. BRKT.                  | 1.10  |
| 41   | 0618-00703-0000 | 24 TOOTH PINION                           | 4.30  |
| 42   | 0017-00101-0308 | #8 - 32 x 3/16 SOC. SET. SCR. (4 REQ'D.)  | .20   |
| 43   | 0017-00100-0075 | "E" RING                                  | .20   |
| 44   | 0618-00109-0000 | SPRING BRACKET                            | .50   |
| 45   | 0618-00103-0000 | HORIZONTAL GEAR SUPPORT BRKT.             | .70   |
| 46   | 0618-00702-0000 | 16 TOOTH PINION                           | 2.80  |
| 47   | 0017-00100-0050 | "E" RING                                  | .20   |
| 48   | 0618-00105-0000 | HORIZONTAL POT. MTG. BRKT.                | 1.70  |
| 49   | 0017-00042-0003 | CABLE CLAMP                               | .20   |
| 50   | 0618-00700-0000 | GUN SUPPORT TUBE                          | 23.30 |
| 51   | 0017-00102-0200 | 1/4 - 20 x 1-3/4 LG. WHIZZ BOLT           | .20   |
| 52   | 0017-00104-0005 | 1/4 LOCK WASHER                           | .20   |
| 53   | 0518-00116-0000 | PIPE BRACKET ASSEMBLY                     | 4.60  |
| 54   | 0518-00123-0000 | END PLATE                                 | .50   |
| 55   | 0518-00122-0000 | SOLENOID BRKT. ASSEMBLY                   | 5.00  |
| 56   | 0017-00104-0024 | PLAIN WASHER (2 REQ'D.)                   | .20   |
| 57   | 0017-00100-0025 | "E" RING (4 REQ'D.)                       | .20   |
| 58   | 0017-00104-0079 | NYLON WASHER (2 REQ'D.)                   | .20   |
| 59   | 0010-00140-0000 | SPRING (2 REQ'D.)                         | .20   |
| 60   | 0535-00149-0000 | INSULATOR                                 | .20   |
| 61   | G010-00023-1300 | COIL                                      | 5.50  |
| 62   | 0017-00104-0063 | SPRING WASHER                             | .20   |

**MIDWAY MFG. CO.**

**NO. 618 - DESERT GUN - FLUORESCENT BRACKET ASSEMBLY**

---



MIDWAY MFG CO.  
A BALLY CO.

**PRICE LIST***ORDER BY PART NUMBER ONLY*

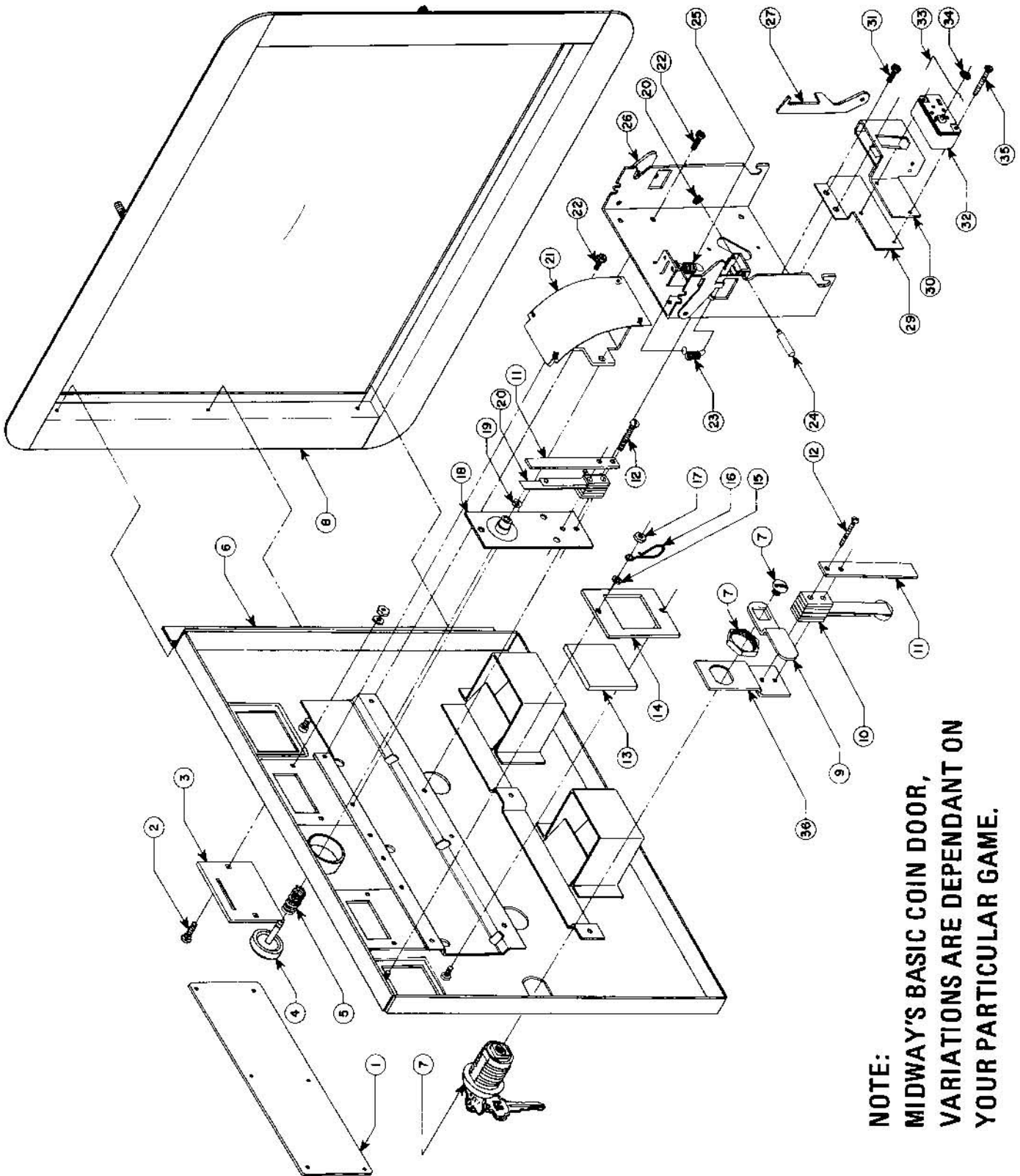
| ITEM | PART N <sup>o</sup> | DESCRIPTION                                       | PRICE |
|------|---------------------|---|-------|
| 1    | 0618-00004-0000     | FLUORESCENT BRKT. ASSY. (2 REQ'D.)                | 2.40  |
| 2    | 0017-00021-0078     | LUG – (8 REQ'D.)                                  | .20   |
| 3    | 0017-0041-0013      | GROMMETS (2 REQ'D.)                               | .20   |
| 4    | 0017-00021-0105     | JACK (2 TERM - FEMALE) (2 REQ'D.)                 | .30   |
| 5    | 0017-00031-0015     | LAMP HOLDERS (4 REQ'D.)                           | .50   |
| 6    | 0017-00021-0005     | FLUORESCENT LOCKS (4 REQ'D.)                      | .30   |
| 7    | 0017-00101-0521     | 5 - 40 x 3/8 BINDER HD. MACH.<br>SCREW (8 REQ'D.) | .20   |
| 8    | 0017-00003-0046     | FLUORESCENT LAMP - 18" (2 REQ'D.)                 | 8.00  |
| 9    | 0017-00101-0017     | #6 x 1/2 HX. HD. WOOD SCREW<br>(4 REQ'D.)         | .20   |
|      | 0618-00026-0000     | FLUORESCENT & FIXTURE ASSY. –<br>COMPLETE         | 19.30 |

**MIDWAY MFG. CO.**

PRICES SUBJECT TO CHANGE WITHOUT NOTICE

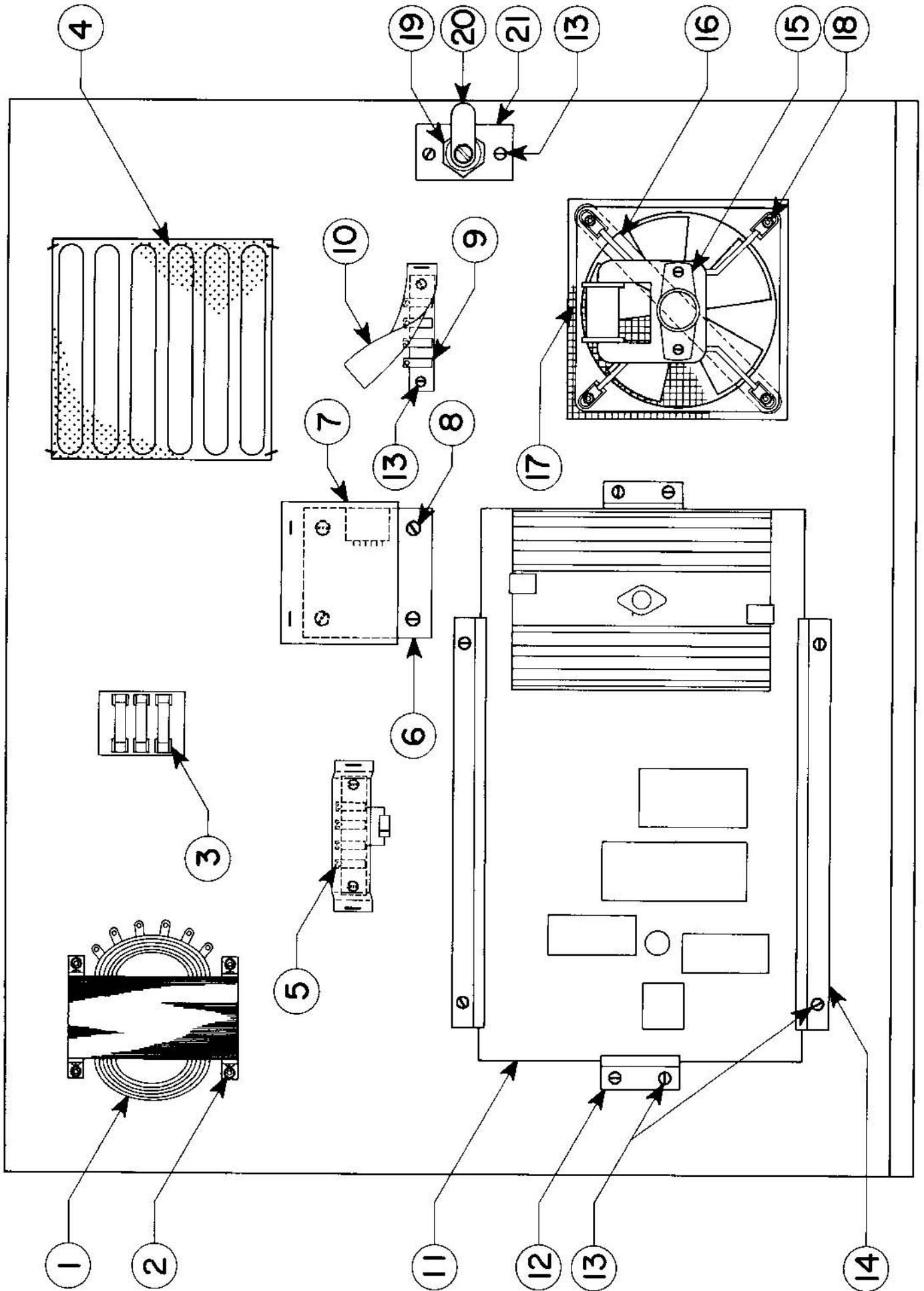
PAGE 11

**NO. 618 – DESERT GUN – FRONT DOOR ASSY.**



**NOTE:  
MIDWAY'S BASIC COIN DOOR,  
VARIATIONS ARE DEPENDANT ON  
YOUR PARTICULAR GAME.**

**NO. 618 - DESERT GUN - UPPER BACK DOOR**



**PRICE LIST****ORDER BY PART NUMBER ONLY**

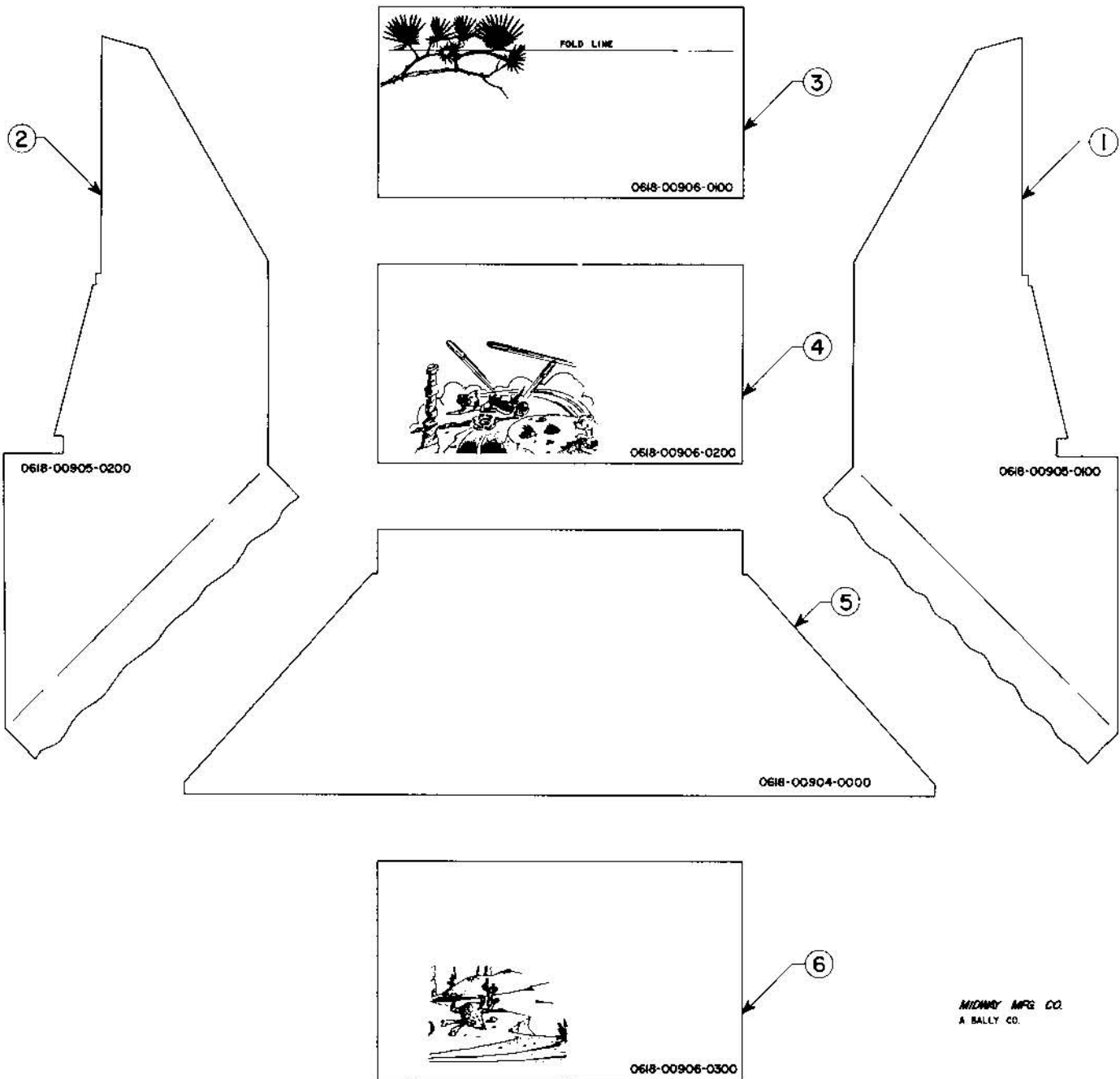
| ITEM | PART NO         | DESCRIPTION                                       | PRICE     |
|------|-----------------|---|-----------|
| 1    | MT00-00058-0000 | TRANSFORMER - 60 CYCLE OR                         | 28.20 EA. |
|      | MT00-00059-0000 | TRANSFORMER - 50 CYCLE                            | 33.90 EA. |
| 2    |                 | HARDWARE  |           |
|      | 0017-00101-0637 | 8 - 32 x 1" CARRIAGE BOLT (4 REQ'D.)              | .20       |
|      | 0017-00104-0022 | 7/16 x 3/16 x 3/64 STEEL WASHER<br>(4 REQ'D.)     | .20       |
|      | 0017-00103-0008 | 8-32 HEX. NUT                                     | .20       |
| 3    | 0720-00001-0300 | FUSE BLOCK ASSEMBLY                               | 2.10      |
| 4    | 0618-00117-00ZN | VENT GRILL  | 1.10      |
| 5    | A031-00002-0000 | TERMINAL STRIP ASSEMBLY                           | .50       |
| 6    | A618-00907-0000 | SOLENOID DRIVER ASSEMBLY                          | 11.10     |
| 7    | 0618-00121-0000 | FISHPAPER SHIELD                                  | .20       |
| 8    | 0017-00101-0018 | #6 x 3/4" HEX HD. SHEET METAL<br>SCREW (4 REQ'D.) | .20       |
| 9    | 0031-00001-0000 | TERMINAL STRIP ASSEMBLY                           | .30       |
| 10   | 0618-00122-0000 | FISHPAPER SHIELD (2 REQ'D.)                       | .20       |
| 11   | A080-00904-F000 | POWER SUPPLY ASSEMBLY                             | 90.00     |
| 12   | 0591-00017-0000 | P.C. MTG. BRKT. ASSY. (2 REQ'D.)                  | .90       |
| 13   | 0017-00101-0017 | #6 x 1/2" HEX. HD. S.M.S. (14 REQ'D.)             | .20       |
| 14   | 0567-00003-0000 | P.C. MTG. BRKT. ASSY. (2 REQ'D.)                  | 1.70      |
| 15   | 0604-00112-0000 | FAN MOTOR ASSEMBLY                                | 29.00     |
| 16   | 0604-00113 0000 | SCREEN BRACE                                      | .40       |
| 17   | 0604-00111 0000 | SCREEN VENT                                       | .30       |
| 18   |                 | HARDWARE  |           |
|      | 0017-00102-0070 | #6 - 32 x 1-3/4 CARRIAGE BOLT<br>(4 REQ'D.)       | .20       |
|      | 0017-00103-0005 | #6 - 32 HEX. NUT (4 REQ'D.)                       | .20       |
|      | 0017-00104-0002 | #6 SPLIT LOCK WASHER (4 REQ'D.)                   | .20       |
|      | 0017-00104-0027 | 1/2 x 5/32 x 1/16 STEEL WASHER<br>(4 REQ'D.)      | .20       |
| 19   | 0017-00005-0046 | BACK DOOR LOCK                                    | 3.40      |
| 20   | 0017-00005-0042 | CAM   | .20       |
| 21   | 0017-00005-0051 | LOCK PLATE  | .30       |

**MIDWAY MFG. CO.**

PRICES SUBJECT TO CHANGE WITHOUT NOTICE

PAGE 15

# NO. 618 – DESERT GUN – SCENERY CARDS





**PRICE LIST***ORDER BY PART NUMBER ONLY*

| <b>ITEM</b> | <b>PART N<sup>o</sup></b> | <b>DESCRIPTION</b>           | <b>PRICE</b> |
|-------------|---------------------------|------------------------------|--------------|
| 1           | 0618-00905-0100           | SIDE SCENERY CARD - RIGHT    | 17.00        |
| 2           | 0618-00905-0200           | SIDE SCENERY CARD - LEFT     | 17.00        |
| 3           | 0618-00906-0100           | MID - FRONT SCENERY CARD     | 7.70         |
| 4           | 0618-00906-0200           | MID - BACK SCENERY CARD      | 7.70         |
| 5           | 0618-00904 0000           | BACK GROUND SCENERY CARD     | 23.60        |
| 6           | 0618-00906-0300           | LOWER BACK DOOR SCENERY CARD | 7.70         |

**MIDWAY MFG. CO.**

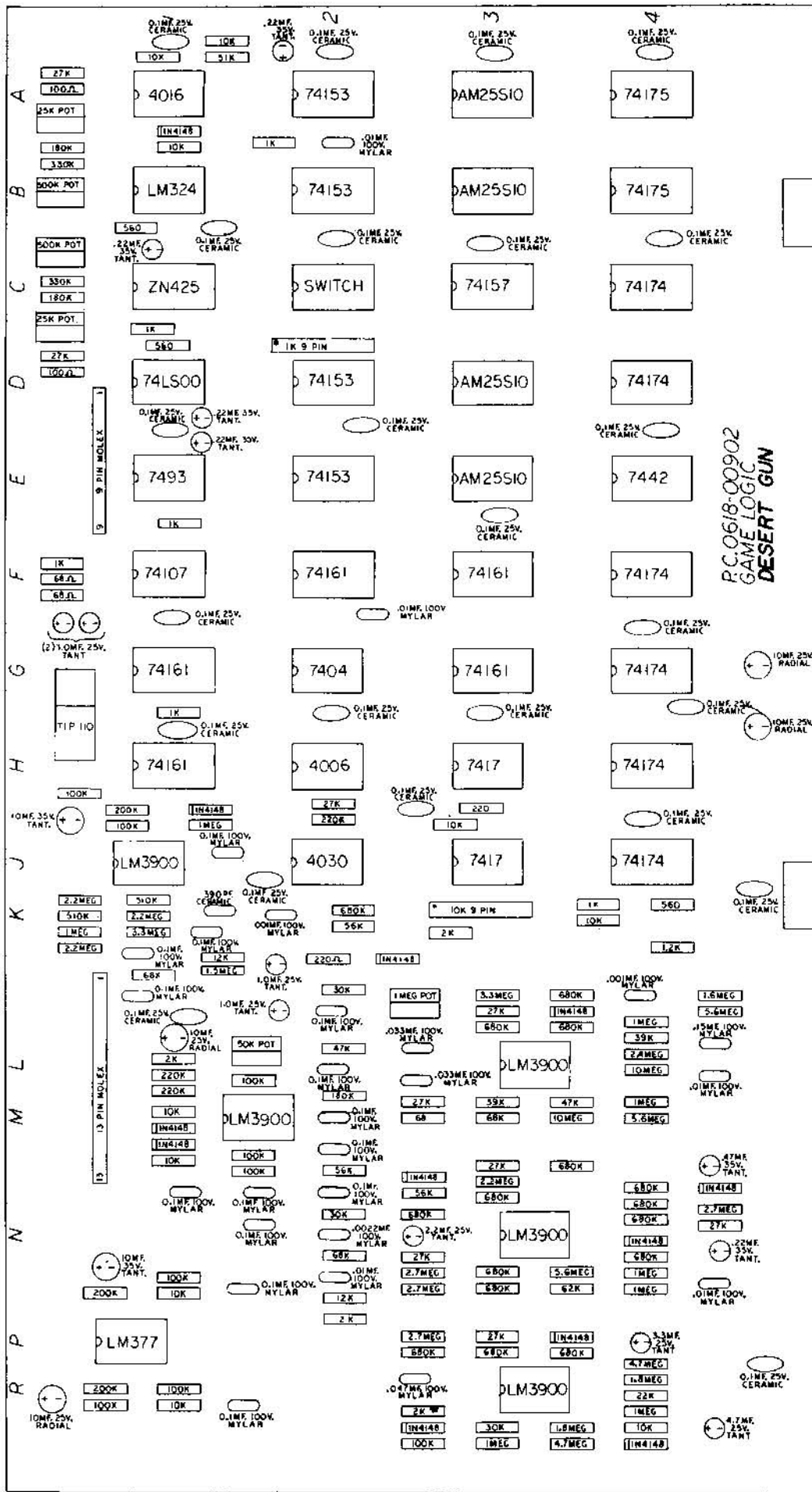
PRICES SUBJECT TO CHANGE WITHOUT NOTICE

PAGE 17

**PRICE LIST***ORDER BY PART NUMBER ONLY*

| ITEM | PART NO         | DESCRIPTION                         | PRICE  |
|------|-----------------|-------------------------------------|--------|
|      | 0017-00032-0005 | ON-OFF SWITCH                       | .80    |
|      | 0567-00106-0100 | SWITCH MTG. PLATE                   | .60    |
|      | 0017-00003-0102 | COUNTER METER                       | 9.00   |
|      | 0618-00021-0000 | P.C. SUPPORT BRKT. ASSY. (2 REQ'D.) | 1.00   |
|      | 0017-00031-0002 | LAMP SOCKETS (5 REQ'D.)             | .20    |
|      | 0017-00031-0052 | LAMPS (5 REQ'D.)                    | .40    |
|      | 0080-00900-F000 | MOTHER BOARD ASSEMBLY               | 850.00 |
|      | 0618-00902-0800 | GAME BOARD ASSEMBLY                 | 242.00 |

**MIDWAY MFG. CO.**



P.C. 0618-00902  
 GAME LOGIC  
 DESERT GUN





