

1st PRINTING OCT 98

# SEGA

# The Ocean Hunter

The Seven Seas Adventure

DLX VERSION  
**OWNER'S MANUAL**



SEGA ENTERPRISES, INC. USA

MANUAL NO. 4201-6419-01



## **Warranty**

Your new Sega Product is covered for a period of 90 days from the date of shipment. This certifies that the Printed Circuit Boards, Power Supplies and Monitor are to be free of defects in workmanship or materials under normal operating conditions. This also certifies that all Interactive Control Assemblies are to be free from defects in workmanship and materials under normal operating conditions. No other product in this machine is hereby covered.

Sellers sole liability in the event a warranted part described above fails shall be, at its option, to replace or repair the defective part during the warranty period. For Warranty claims, contact your Sega Distributor.

Should the Seller determine, by inspection that the product was caused by Accident, Misuse, Neglect, Alteration, Improper Repair, Installation or Testing, the warranty offered will be null and void.

Under no circumstances is the Seller responsible for any loss of profits, loss of use, or other damages.

This shall be the exclusive written Warranty of the original purchaser expressed in lieu of all other warranties expressed or implied. Under no circumstance shall it extend beyond the period of time listed above.

**VISIT OUR WEBSITE!**





**SEGA ENTERPRISES, INC. (USA)**

45133 Industrial Drive  
Fremont, CA 94538  
650-802-1750 phone  
650-802-1754 fax

## TABLE OF CONTENTS

INTRODUCTION OF THE OWNERS MANUAL	1
GENERAL PRECAUTIONS	2~3
1. NAME OF PARTS	4
2. ACCESSORIES	5~6
3. ASSEMBLY AND INSTALLATION	7~17
4. PRECAUTIONS TO BE HEEDED WHEN MOVING MACHINE	18
5. CONTENTS OF GAME	19~20
6. EXPLANATION OF TEST AND DATA DISPLAY	21~33
6-1 SWITCH UNIT AND COIN METER	22
6-2 TEST MODE	23
6-3 MEMORY TEST	24
6-4 INPUT TEST	25
6-5 OUTPUT TEST	25
6-6 SOUND TEST	26
6-7 BOUNDARY SCAN TEST	26
6-8 VOLUME ADJUSTMENTS	26
6-9 C.R.T. TEST	27
6-10 GAME ASSIGNMENTS	28
6-11 COIN ASSIGNMENTS	29~32
6-12 BOOKKEEPING	33
6-13 BACKUP DATA CLEAR	33
7. CONTROL MECHA	34~39
7-1 ADJUSTING/REPLACING THE SWING (YAW) VOLUME	34~35
7-2 ADJUSTING/REPLACING THE PITCH VOLUME	35~36
7-3 REPLACING THE SPRING	37
7-4 REPLACING THE SWITCH	38
7-5 GREASING	39
8. COIN SELECTOR	40~42
9. PROJECTOR	43~48
9-1 CLEANING THE SCREEN	43
9-2 HITACHI MONITOR	44~46
9-3 MITSUBISHI MONITOR	47~48
10. REPLACEMENT OF FLUORESCENT LAMP	49
10-1 REPLACEMENT OF FLUORESCENT LAMP	49
10-2 REPLACEMENT OF LAMPS	49
11. PERIODIC INSPECTION TABLE	50
12. TROUBLESHOOTING	51
13. GAME BOARD	52~53
13-1 REMOVING THE GAME BOARD	52
13-2 COMPOSITION OF THE GAME BOARD	53
14. DESIGN RELATED PARTS	54~55
15. PARTS LIST	56~86
16. WIRING DIAGRAMS	XXX

## SPECIFICATIONS

Installation space:	89 in.(D) x 45 in.(W)
Height:	82 in.
Weight:	Approx. 820 lbs.
Power maximum current:	5.2 Amps (AC 120V 60 Hz AREA)
MONITOR:	50" PROJECTION DISPLAY

## INTRODUCTION OF THE OWNERS MANUAL

---

SEGA ENTERPRISES, LTD., has for more than 30 years been supplying various innovative and popular amusement products to the world market. This Owners Manual is intended to provide detailed descriptions together with all the necessary installation, game settings and parts ordering information related to the THE OCEAN HUNTER DLX, a new SEGA product.

This manual is intended for those who have knowledge of electricity and technical expertise, especially in ICs, CRTs, microprocessors, and circuit boards. Read this manual carefully to acquire sufficient knowledge before working on the machine. Should there be a malfunction, non-technical personnel should under no circumstances touch the interior system. Should the need arise, contact our main office, or the closest branch office listed below.

### **SEGA ENTERPRISES, INC. (USA)**

#### **Customer Service**

45133 Industrial Drive

Fremont, CA 94538

Phone 650-802-1750

Fax 650-802-1754

7:30 am - 4:00 pm, Pacific Standard Time

Monday thru Friday

## General Precautions

---

**Follow Instructions:** All operating and use instructions should be followed.

**Attachments:** Do not use attachments not recommended by the product manufacturer as they may cause hazards.

**Accessories:** Do not place this product on an unstable cart, stand, tripod, bracket, or table. The product may fall, causing serious injury to a child or adult, and serious damage to the product. Use only with a cart, stand, tripod, bracket, or table recommended by the manufacturer, or sold with the product. Any mounting of the product should follow the manufacturer's instructions, and should use only mounting accessories recommended by the manufacturer.

**Moving the Product:** This product should be moved with care. Quick stops, excessive force, and uneven surfaces may cause the product to overturn.

**Ventilation:** Slots and openings in the cabinet are provided for ventilation, to ensure reliable operation of the product and to protect it from overheating; these openings must not be blocked or covered. The openings should never be blocked by placing the product in a built-in installation such as a bookcase or rack unless proper ventilation is provided or the manufacturer's instructions have been adhered to.

**Power Sources:** This product should be operated only from the type of power source indicated on the marking label. If you are not sure of the type of power supply to your location, consult your local power company. For products intended to operate from battery power or other sources, refer to the operating instructions.

**Grounding or Polarization:** This product is equipped with a three-wire grounding-type plug, a plug having a third (grounding) pin. This plug will only fit into a grounding-type power outlet. This is a safety feature. If you are unable to insert the plug into the outlet, contact your electrician to replace your obsolete outlet. Do not defeat the safety purpose of the grounding-type plug.

**Power Cord Protection:** Power-supply cords should be routed so that they are not likely to be walked on or pinched by items placed upon or against them, paying particular attention to cords at plugs, convenience receptacles, and the point where they exit from the product.

**Overloading:** Do not overload wall outlets, extension cords, or integral convenience receptacles as this can result in a risk of fire or electric shock.

**Object and Liquid Entry:** Never push objects of any kind into this product through openings as they may touch dangerous voltage points or short-out parts that could result in a fire or electric shock. Never spill liquid of any kind on the product.

**Servicing:** Do not attempt to service this product yourself as opening or removing covers may expose you to dangerous voltage or other hazards. Refer all servicing to qualified service personnel.

**Damage Requiring Service:** Unplug this product from the wall outlet and refer servicing to qualified service personnel under the following conditions:

- a) If the power cord or plug is damaged;
- b) If liquid has been spilled, or objects have fallen into the product;
- c) If the product has been exposed to rain or water;
- d) If the product does not operate normally when following the operating instructions. Adjust only those controls that are explained in the operating instructions. An improper adjustment of other controls may result in damage and will often require extensive work by a qualified technician to restore the product to its normal operation;
- e) If the product has been dropped or damaged in any way;
- f) When the product exhibits a distinct change in performance; this indicates a need for service.

**Replacement Parts:** When replacement parts are required, be sure the service technician has used replacements parts specified by the manufacturer or that have the same characteristics as the original part. Unauthorized substitutions may result in fire, electric shock, or other hazards.

**Safety Check:** Upon completion of any service or repairs to this product, ask the service technician to perform safety checks to determine that the product is in proper operating condition.

**Heat:** The product should be situated away from heat sources such as radiators, heat registers, stoves, or other products (including amplifiers) that produce heat.

**Lithium Battery-** Dispose of batteries only in accordance with the battery manufacturer's recommendations. Do not dispose in an open flame condition, since the battery may explode.

**Cleaning:** When cleaning the monitor glass, use water or glass cleaner and a soft cloth. Do not apply chemicals such as benzene, thinner, etc.

**Location:** This is an indoor game machine, DO NOT install it outside. To ensure proper usage, avoid installing indoors in the places mentioned below:

- Places subject to rain/water leakage, or condensation due to humidity;
- In close proximity to a potential wet area;
- Locations receiving direct sunlight;
- Places close to heating units or hot air;
- In the vicinity of highly inflammable/volatile chemicals or hazardous matter;
- On sloped surfaces;
- In the vicinity of emergency response facilities such as fire exits and fire extinguishers;
- Places subject to any type of violent impact;
- Dusty places.

#### **INSTALLATION PRECAUTIONS**

- Verify the amperage of the branch circuit outlet before plugging in the power plug. Do not overload the circuit.
- Avoid using an extension cord. If one is required, use an extension cord of type SJT, 16/3 AWG rated min. 120 VAC, 7A.
- Moving this unit requires a minimum clearance (of doors, etc.) of 32" (W) by 77" (H).
- For the operation of this machine, secure a minimum area of 32" (W) by 42" (D).

#### **REGULATORY APPROVALS**

This game has been tested and found to comply with the Federal Communications Commission Rules.

This device complies with Part 15 of the FCC Rules. Operation is subject to the following two conditions: (1) This device may not cause harmful interference, and (2) this device must accept any interference received, including interference that may cause undesired operation.

This game has been tested and listed by Underwriters Laboratories, Inc., to ANSI/UL22.

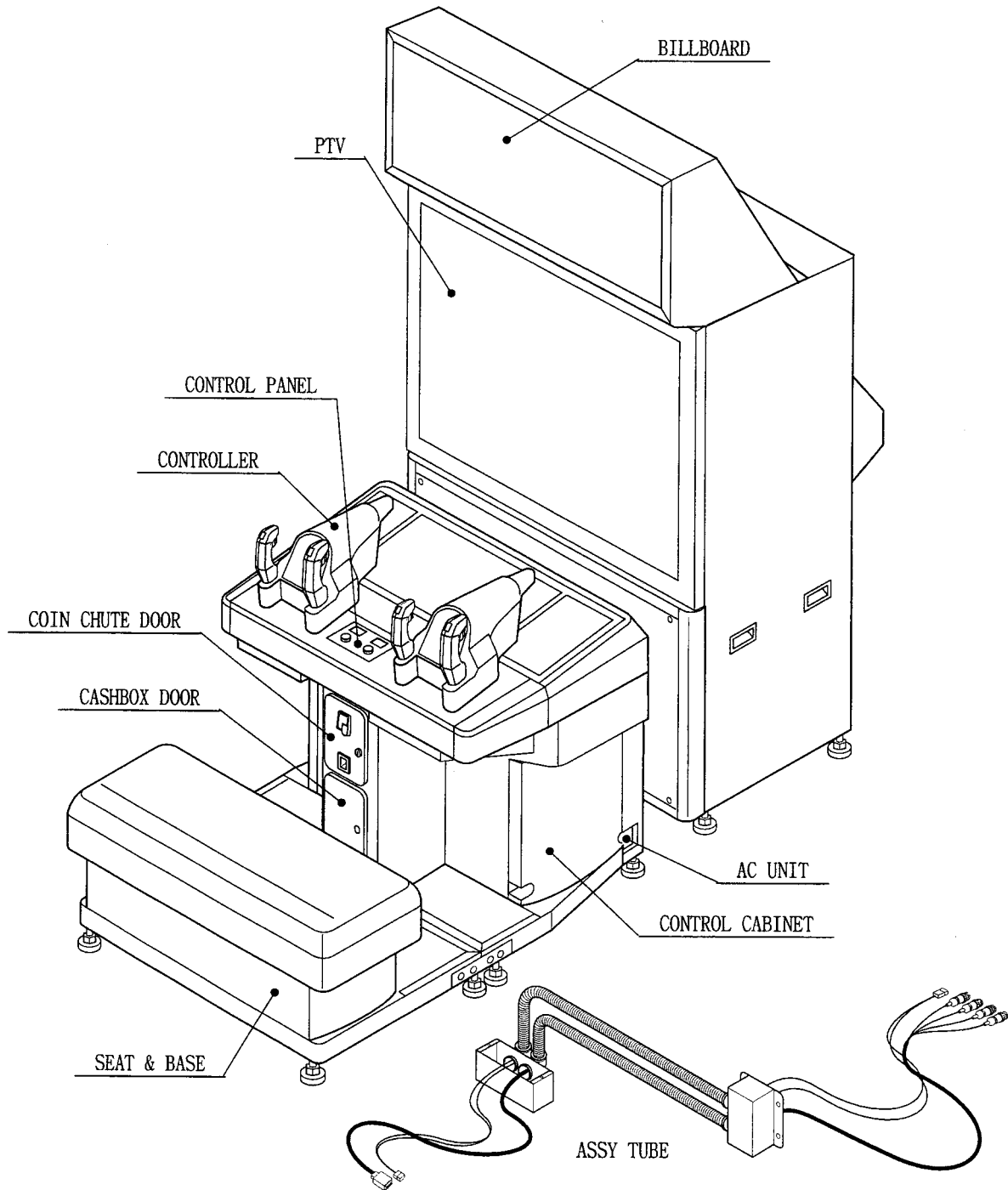
**LISTED**



**AMUSEMENT MACHINE**

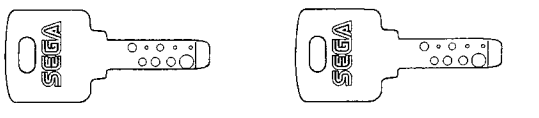
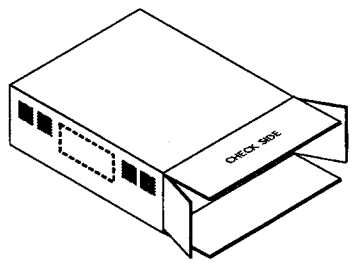
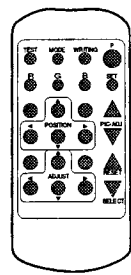
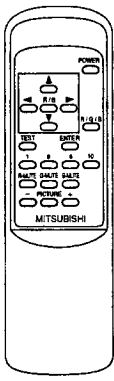
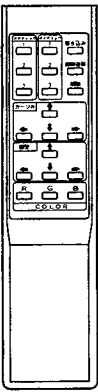


# 1. NAME OF PARTS



GAME SPECIFICATIONS	WIDTH	HEIGHT	DEPTH	WEIGHT
<i>all measurements are rounded up to the nearest 0.5"</i>				
PTV	45" X	68" X	22"	~210 LBS.
BILLBOARD	45" X	16" X	16"	~50 LBS.
CONTROL CABINET	39.5" X	44.5" X	35.5"	~400 LBS.
SEAT AND BASE	39.5" X	21" X	24"	~140 LBS.
WHEN ASSEMBLED	45" X	82" X	89"	~820 LBS.

## 2. ACCESSORIES

<p><b>DESCRIPTION</b>      <b>OWNERS MANUAL</b>  Part No. (Qty.)    4201-6419-01 (1)  <b>Note</b>  <b>Figures</b>  If Part No. has no description, the Number has not been registered or can not be registered. Such a part may not be obtainable even if the customer desires to purchase it. Therefore, ensure that the part is in safekeeping with you.</p>	<p><b>KEY MASTER</b>  220-5576 (2)  For opening/closing the doors</p>	<p><b>KEY</b>  (2)  For the CASHBOX DOOR</p>
<p><b>CARTON BOX</b>  601-8928 (2)  Used for transporting the Game Board.  Refer to Next Page.</p>		
<p><b>AC Cable (Power Cord)</b>  600-6695  600-6695-01 (1) for USA  Used for installation</p>		<p><b>TAMPERPROOF WRENCH</b>  M4 540-0006-01 (1)  <b>TOOL</b></p>
<p><b>TOSHIBA</b>  Remote Control for Projector  Used for adjustment.  200-5536 (1)</p> 	<p><b>MITSUBISHI</b>  Remote Control for Projector  Used for adjustment.  200-5532 (1)</p> 	<p><b>HITACHI</b>  Remote Control for Projector  Used for adjustment.  200-5410 (1)</p> 
<p>One of the above 3 types of Remote Controls is used for the Projector.</p>		

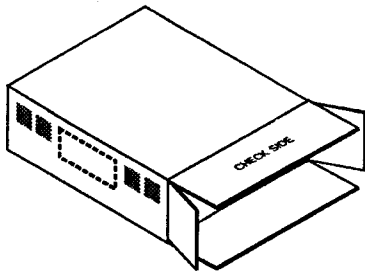


WARNING!

**THE SHIPMENT METHOD DESCRIBED BELOW ONLY APPLIES TO 'MODEL 3' BOARDS CONTAINED IN THE FOLLOWING GAMES:**

LOST WORLD, VIRTUA FIGHTER 3, SUPER GT, SEGA BASS FISHING, STRIKER 2  
HARLEY DAVIDSON, RALLY 2, DAYTONA 2, DIRT DEVILS, THE OCEAN HUNTER

**!!NEVER SHIP MODEL 3 GAME BOARDS OUTSIDE OF CAGE!!**



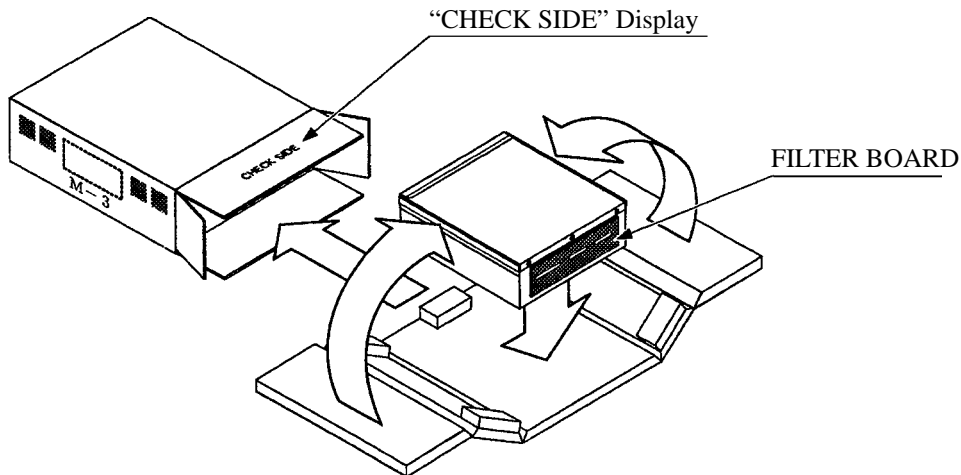
CARTON BOX

601-8928 (1)

Used for transporting the GAME BOARD.

{SUPPLIED WITH YOUR GAME}

**DO NOT SHIP GAME BOARD WITHOUT THIS BOX AS IT MAY DAMAGE THE GAME BOARD AND VOID YOUR WARRANTY.**



WARNING!

**NO OTHER GAMES BOARDS ARE TO BE SHIPPED IN THE CAGE AS THEY MAY BE DAMAGED BEYOND REPAIR. PLEASE SHIP THEM WITHOUT CAGE PROPERLY PROTECTED DURING SHIPPING.**

### 3. ASSEMBLING PRECAUTIONS



WARNING

Assembling should be performed as per this manual. Since this is a complex machine, erroneous assembling may cause damage to the machine, or malfunctioning to occur.

When assembling, be sure to perform work by plural persons.

Depending on the assembly work, there are some cases in which performing the work by a single person can cause personal injury or parts damage.

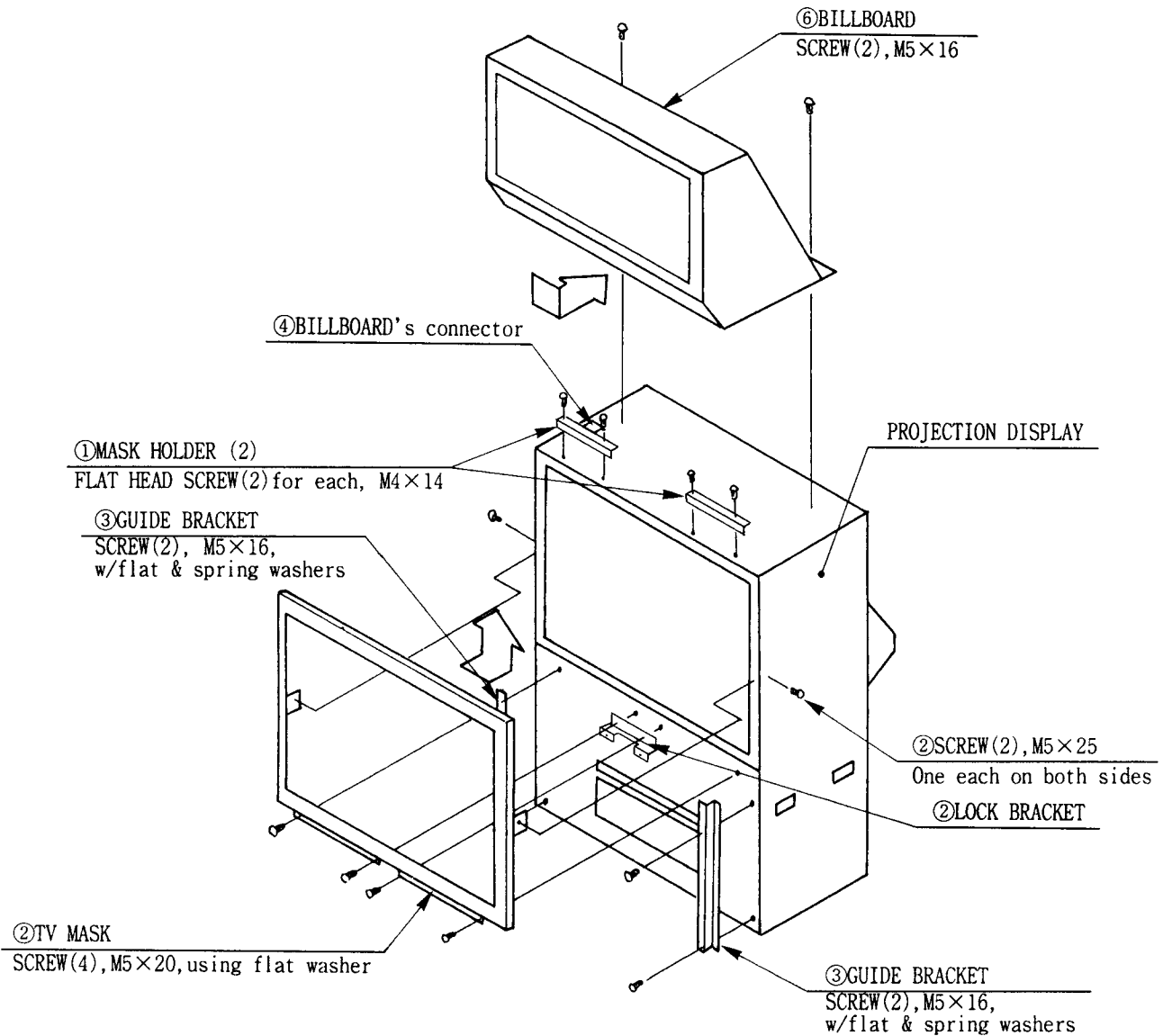
When carrying out the assembly work, follow the procedure in the following 4-item sequence:

- 1 ASSEMBLING OF THE PTV
- 2 JOINING CONTROL CABINET AND SEAT & BASE
- 3 WIRING CONNECTION BETWEEN PTV AND CABINETS
- 4 SECURING IN PLACE
- 5 POWER SUPPLY
- 6 ASSEMBLY CHECK

Note that the tools such as a phillips screwdriver and wrench for M16 hexagon bolt w/24 mm width across flats are required for the assembly work.

# 1 ASSEMBLING OF PTV

- ① By using the specified screws, secure the 2 Mask Holders to the Projection Display Ceiling.
- ② Insert the TV Mask from the underside as shown and secure with the total of 6 screws in the manner to sandwich the LOCK BRACKET as shown.
- ③ Secure the two Guide Brackets to the front of the Projection Display in the correct installation direction shown, by using 2 screws for each bracket.
- ④ Insert the Billboard's 2 Connectors into the front as shown and secure with 2 screws.



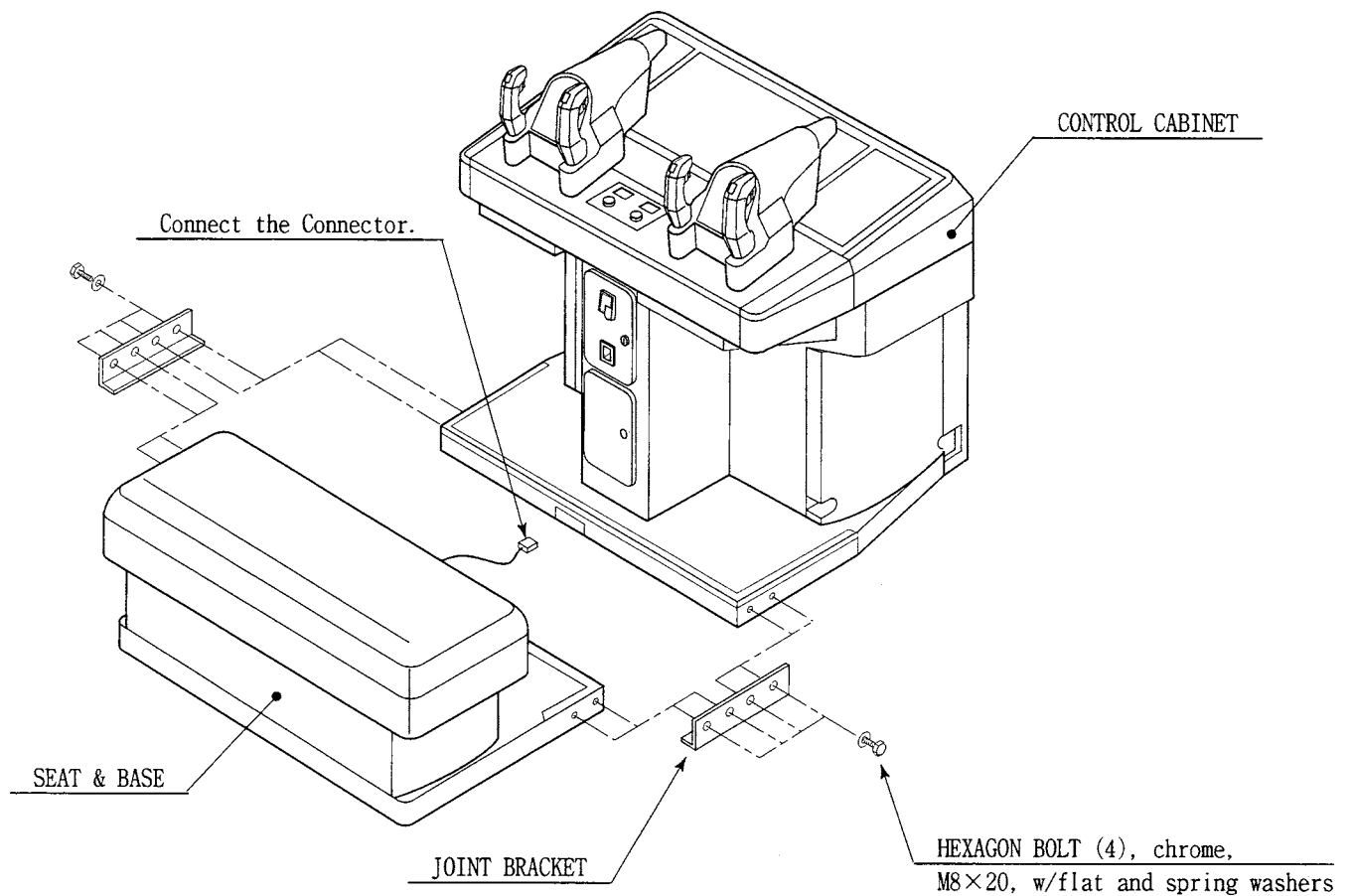
## 2 JOINING CONTROL CABINET AND SEAT & BASE



WARNING!

During assembling work, the cabinet is moved. When assembling, ensure that casters of each cabinet are in contact with the floor.

- ① Connect the Seat & Base connector to the Control Panel connector.
- ② Install the 2 Joint Brackets to the Seat & Base and the Control Cabinet by securing with 4 Hexagon Bolts for each Joint Bracket.



# 3

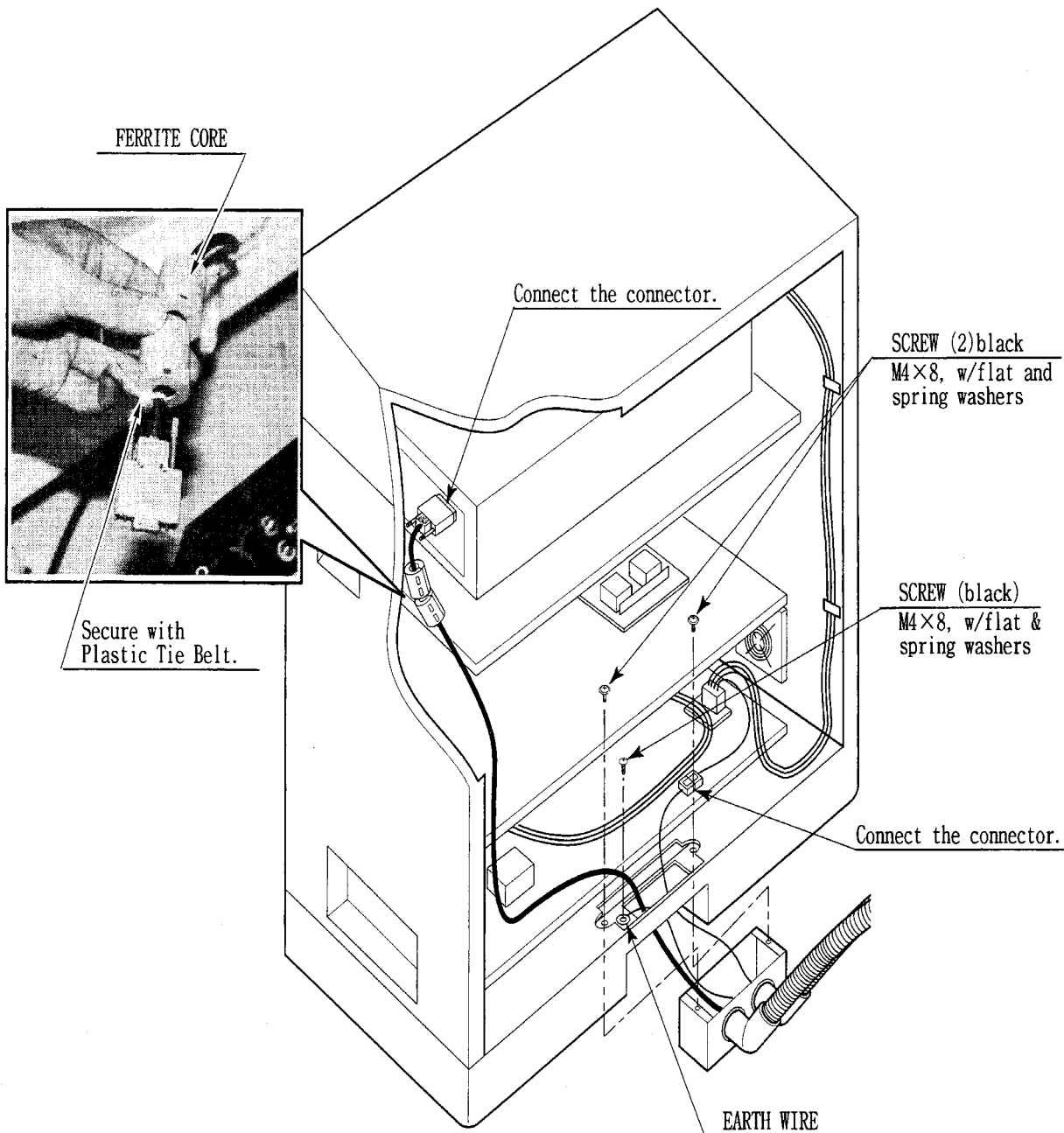
## WIRING CONNECTIONS BETWEEN PTV AND CABINETS



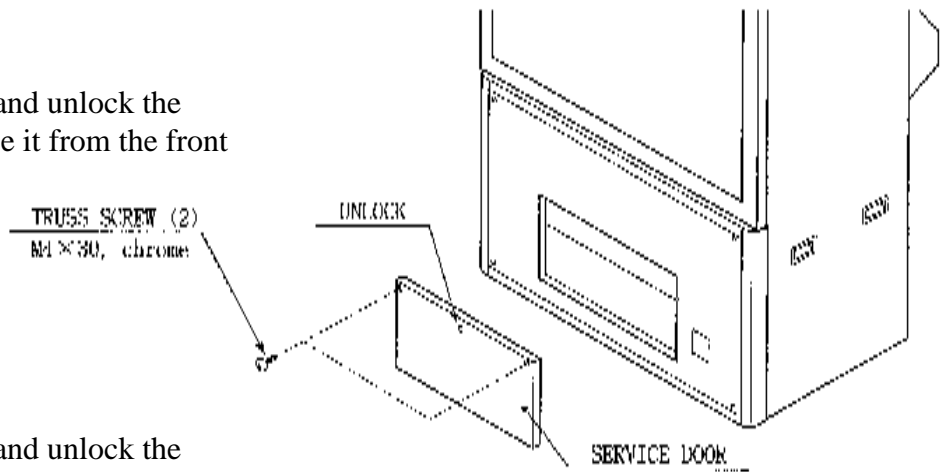
WARNING!

Be sure to connect connectors securely. Incomplete connector connection can cause electric shock accident. Use care so as not to damage wirings. Damaged wiring can cause electric shock or short circuit accident.

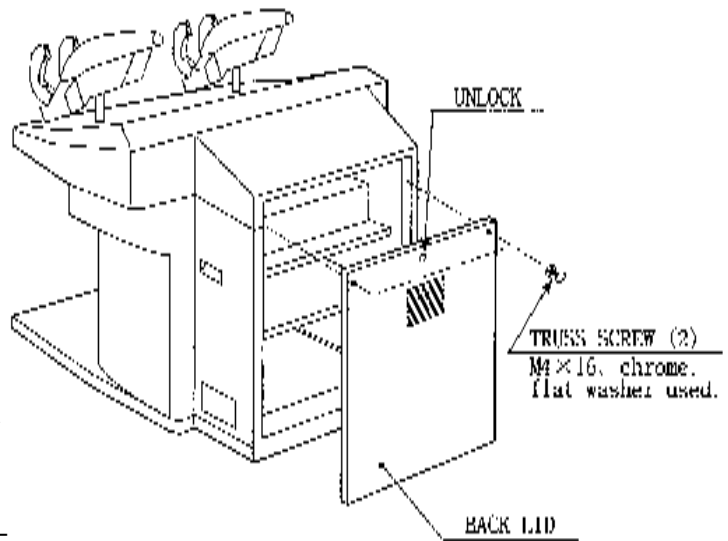
Install the ASSY TUBE to each cabinet joined as per [2] on the previous page. and perform wiring connection on PTV.



- ① Take out the 2 screws and unlock the Service Door to remove it from the front of the PTV.

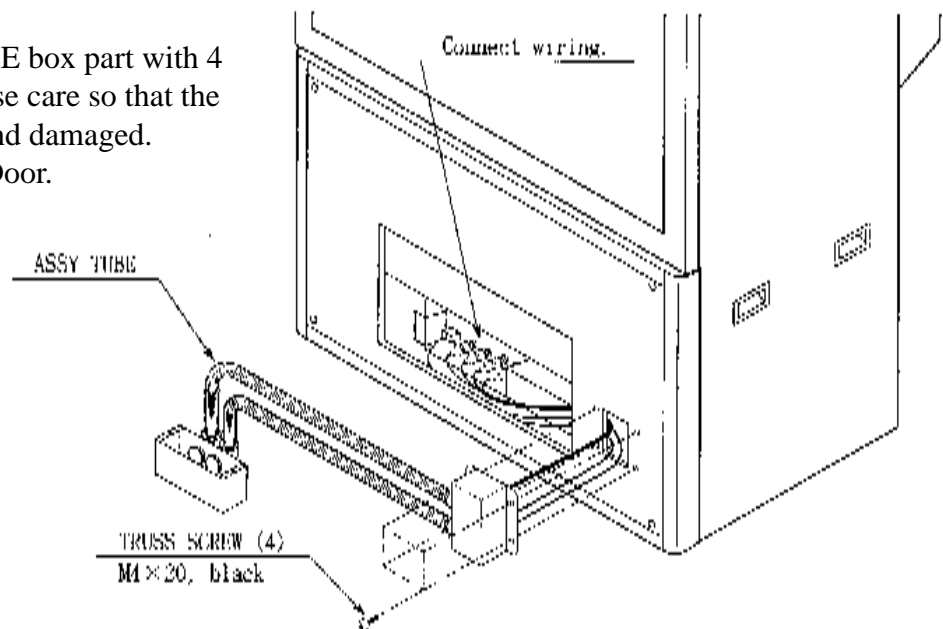


- ② Take out the 2 screws and unlock the Back Lid of Control Cabinet and remove the Back Lid.



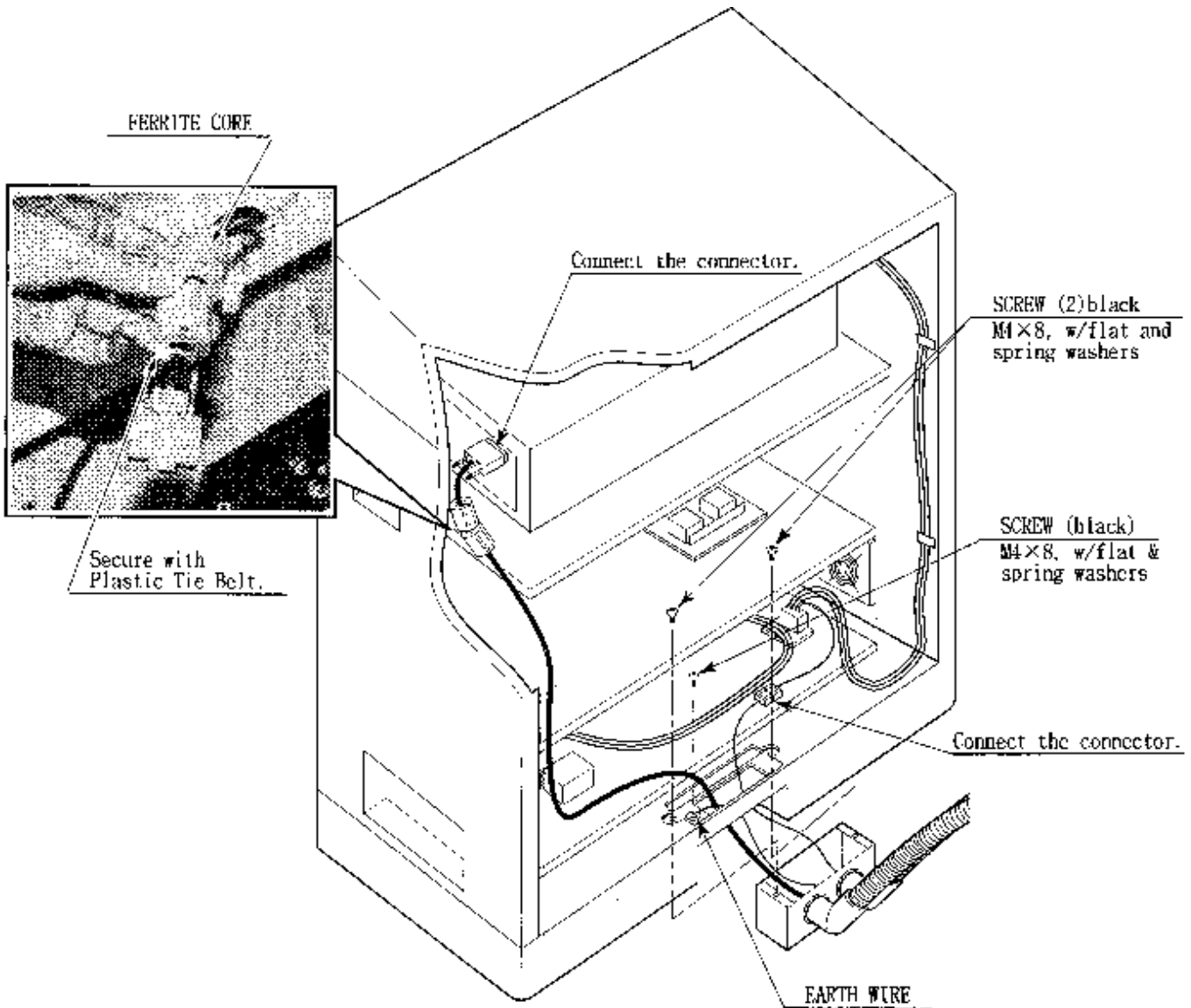
- ③ Insert ASSY TUBE wires in the square hole beside the PTV's Front Door and connect all of the wiring connectors. At this time, be sure to connect the connector to the corresponding one which has an identical color and number of pins.

- ④ Secure the ASSY TUBE box part with 4 screws. At this time, use care so that the wires are not caught and damaged. Reinstall the Service Door.





- ⑤ Pass the ASSY TUBE wire to the square hole at the lower of Control Cabinet, install 2 Ferrite Covers to the bottom of cable, and secure with Plastic Tie Belt.
- ⑥ Insert the cable forementioned in #5 above to the top of the Filter Board and secure with the screws.
- ⑦ Connect the remaining connectors, and install ASSY TUBE box part to the Control Cabinet with 2 screws. At this time, use care so that the wiring will not be caught and damaged.
- ⑧ Reinstall the Back Lid.



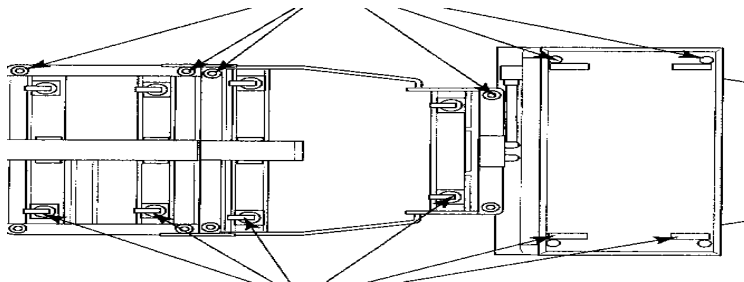
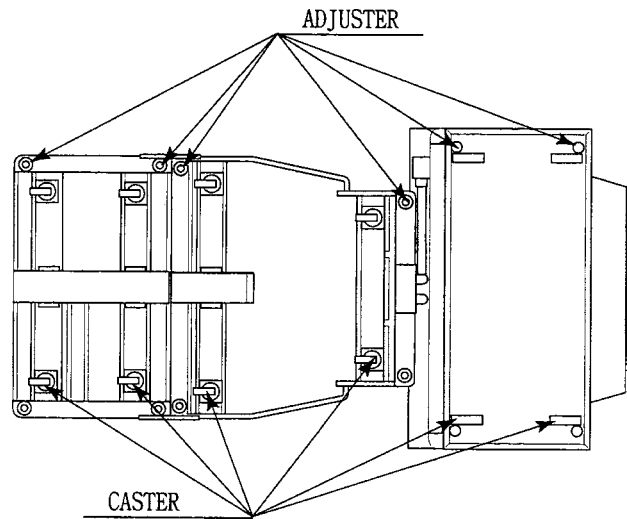
# 4

## SECURING IN PLACE (ADJUSTER ADJUSTMENT)

Be sure to have all the Adjusters make contact with the floor surface. Unless the Adjusters come into contact with the surface, the Cabinet can move of itself, causing an accident.

This machine has 12 each of casters and adjuster (See Below). When the installation position is determined, cause the adjusters to come into contact with the floor directly, make adjustments in a manner so that the casters will be raised approximately 5mm. from the floor and make sure that the machine position is level.

- ① Move the machine to the installation position.
- ② Cause all of the leg adjusters to make contact with the floor. By using a wrench, make adjustments in the height of the leg adjusters to ensure that the machine's position is level.
- ③ After making adjustments, fasten the leg adjuster nut upward and secure the height of the leg adjuster.



# 5

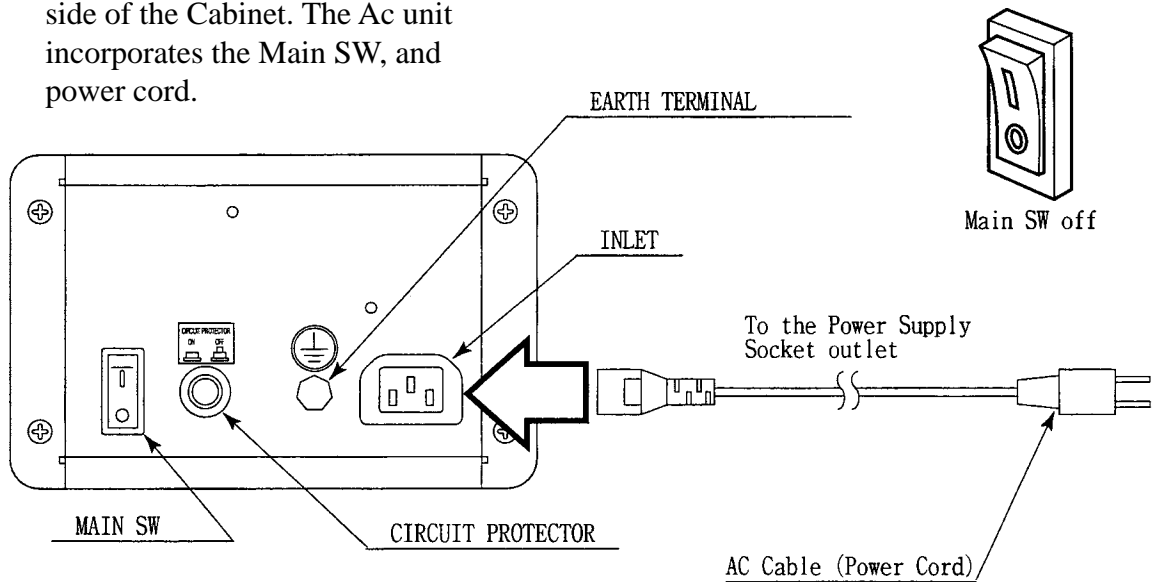
## POWER SUPPLY



- Ensure that the power cord is not exposed on the surface (passage, etc.). If exposed, they can be caught and are susceptible to damage. If damaged, the cord can cause an electric shock or short circuit. Ensure that the wiring position is not in the customer's passage way or the wiring has protective covering.

The AC unit is mounted on the left side of Front Cabinet DX. The AC Unit incorporates the Main SW. Firmly insert the Power Plug into the Socket Outlet. Turn the Main SW ON to turn power ON.

- ① Ensure that the Main SW is OFF.
- ② The AC unit is located on the left side of the Cabinet. The Ac unit incorporates the Main SW, and power cord.



### CAUTIONS TO BE HEHEDED WHEN TURNING THE POWER ON



First make sure that no one is in the periphery of the bike body and turn the Main SW on. When the power is turned on, the bike body motion starts automatically. The presence of a person(s) in the periphery of the bike can cause an accident. Turning the AC Unit's Main SW on will cause the machine to start the POWER ON check automatically. In the POWER ON check, the bike body banks left and right, then returns to the centering position and stops. During this check, do not touch the bike body. If you do, the body reaction (at the time course-out or crashing) can not be obtained correctly. The Advertise mode is displayed at the same time the checking is finished. An ERROR display is indicated if irregularity is found in the POWER ON check. In case of an irregular reaction during game, turn power off and turn it back on again to finish the POWER ON check.

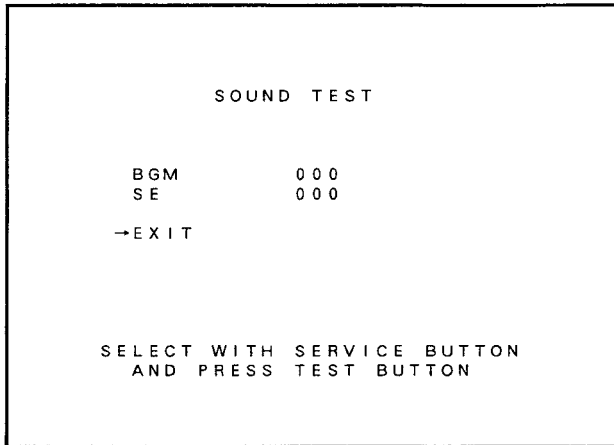
# 6

## ASSEMBLING CHECK

In the TEST MODE, ensure that the assembly has been made correctly and IC BD is satisfactory (refer to Section 6).

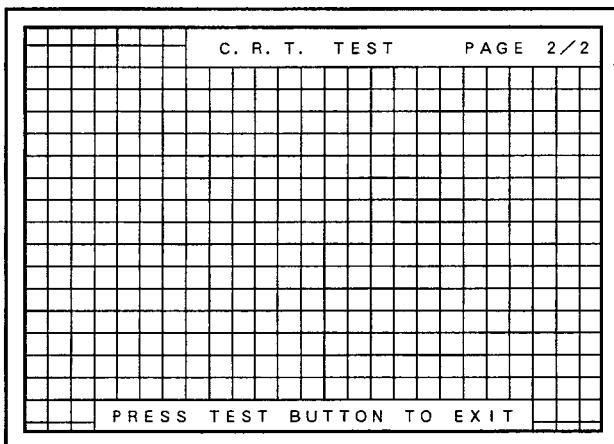
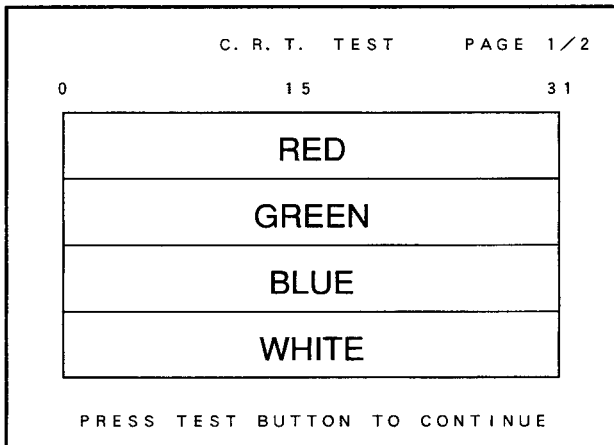
In the test mode, perform the following test:

### (4) SOUND TEST



Selecting the MEMORY TEST on the test mode menu screen causes the on-board memory to be tested automatically. The game board is satisfactory if the display beside each IC No. shows GOOD.

### (5) C.R.T. TEST



```

VIDEO BOARD RAM TEST

GOOD

PRESS TEST BUTTON TO EXIT

```

(2) INPUT TEST

```

INPUT TEST

VOLUME 1P PITCH 00
VOLUME 1P YAW 00
VOLUME 2P PITCH 00
VOLUME 2P YAW 00

1P LEFT SHOT OFF
1P RIGHT SHOT OFF
2P LEFT SHOT ON
2P RIGHT SHOT OFF

1P START ON
2P START OFF

COIN #1 ON

SERVICE OFF
TEST OFF

PRESS SERVICE+TEST BUTTON TO EXIT

```

Selecting the INPUT TEST on the test mode menu screen causes the screen (on which each switch is tested) to be displayed. Press each switch. For the coin switch test, insert a coin into the coin inlet with the coin chute door being open. If the display beside each switch indicates "ON," the switch and wiring connections are satisfactory.

(3) OUTPUT TEST

```

OUTPUT TEST

1P START LAMP OFF
2P START LAMP ON
1P CONTROLLER REACTION OFF
2P CONTROLLER REACTION OFF

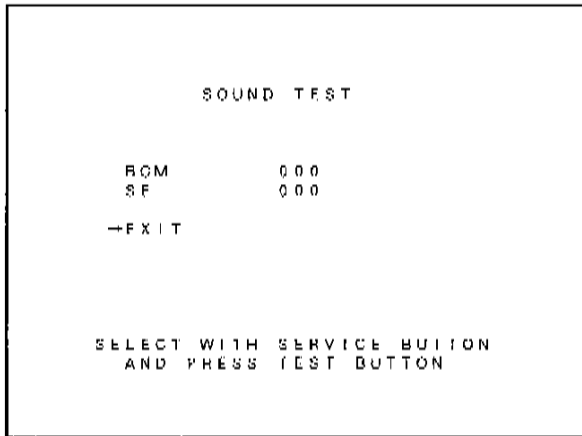
EXIT

PRESS WITH SERVICE BUTTON
AND PRESS TEST BUTTON

```

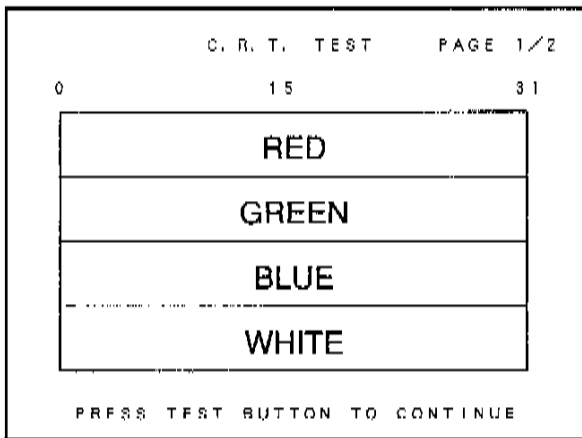
In the TEST mode, selecting SOUND TEST causes the screen, on which sound related BD and wiring connections are tested, to be displayed. be sure to check if the sound is satisfactorily emitted from each of speaker and the sound volume is appropriate.

(4) SOUND TEST

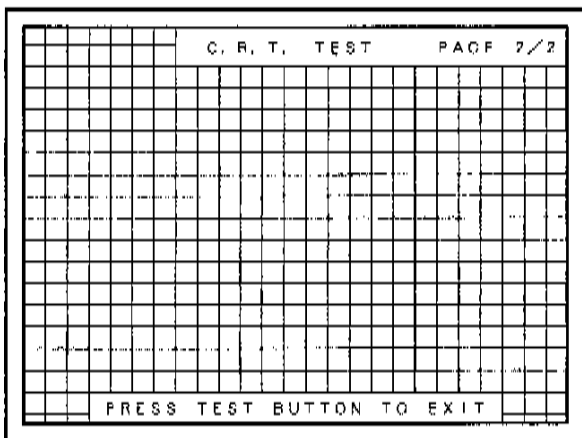


In the TEST mode, selecting SOUND TEST causes the screen (on which sound related BD and wiring connections are tested) to be displayed. Be sure to check if the sound is satisfactorily emitted from each speaker and the sound volume is appropriate.

(5) C.R.T. TEST



In the TEST mode menu, selecting C.R.T. TEST allows the screen (on which the monitor is tested) to be displayed. Although the monitor adjustments have been made at the same time of shipment from the factory, color deviation, etc., may occur due to the effect caused by geomagnetism, the location building's steel frames and other game machines in the periphery. By watching the test mode screen, make judgement as to whether an adjustment is needed. If it is necessary, adjust the monitor by referring to Section 9.



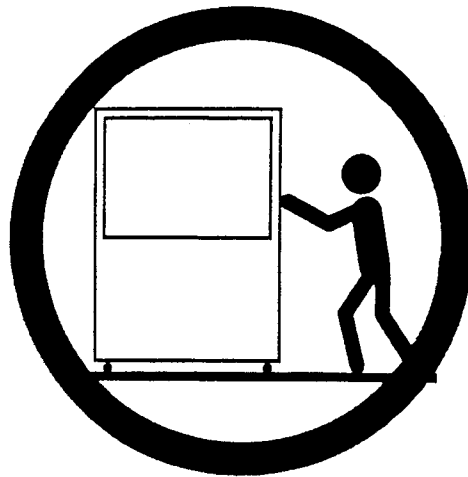
## 4. PRECAUTIONS TO BE HEADED WHEN MOVING THE MACHINE



- When moving the machine, be sure to pull out the plug from the power supply. Moving the machine with the plug as is inserted can damage the power cord and cause a fire or electric shock.
- When moving the machine on the floor, retract the Adjusters and ensure that Casters make contact with the floor. During transportation, pay careful attention so that Casters do not tread power cords. Damaging the power cords can cause an electric shock and/or short circuit.
- When lifting the cabinet, be sure to hold the catch portions or bottom part. Lifting the cabinet by holding other portions can damage parts and installation portions, due to the empty weight of the cabinet, and cause personal injury.



Since this machine is a heavy structure of approximately 1000+lbs. its leg adjusters should be retracted when moving the machine over the floor. When moving the machine on the floor with slanted surfaces or step like differences, ensure that the PTV, Front Cabinet and Rear Base are separated. Lifting the Cabinet with those items as is joined can cause the joint portions to be damaged.

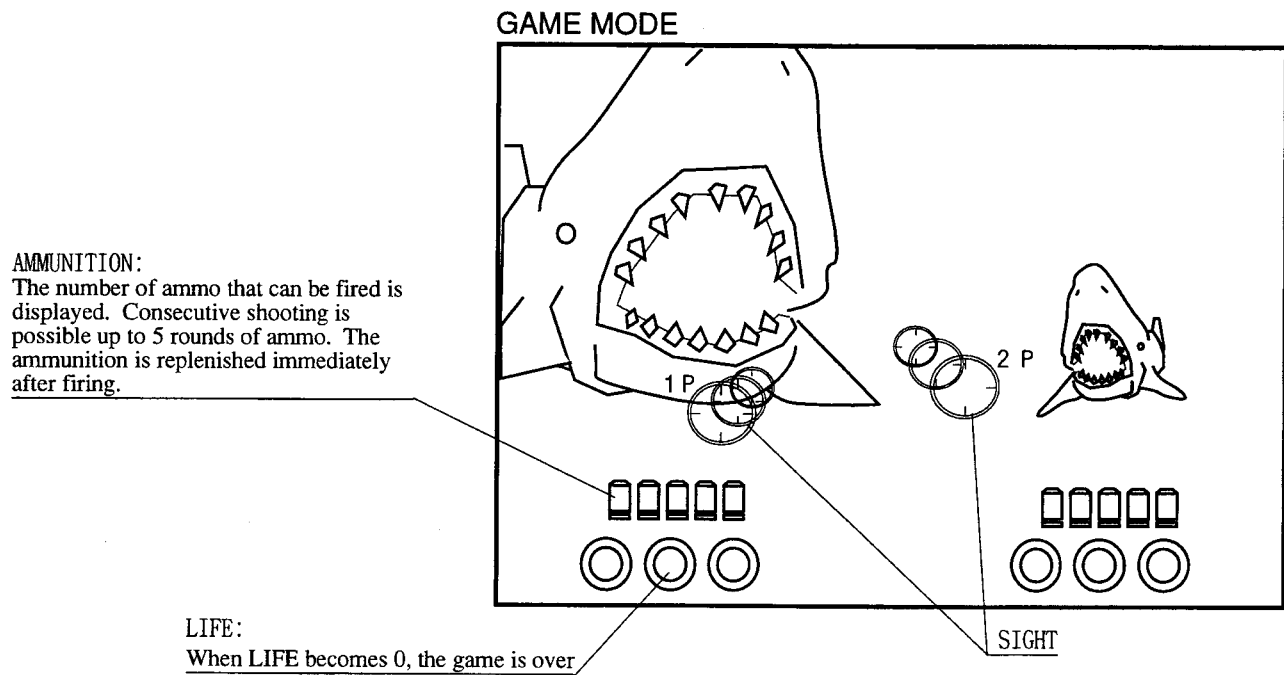


Do not push the PTV from the rear side. Pushing the PTV from the rear side can cause the PTV to fall down. Push it from the side.

## 5. CONTENTS OF GAME

The following explanations apply to the case the product is functioning satisfactorily. Should there be any moves different from the following contents, some sort of faults may have occurred. Immediately look into the cause of the fault and eliminate the cause thereof to ensure satisfactory operation.

- ① Insert a coin(s) to have the number of credits appear on the lower-part of the screen. When the number of credits required for game start is registered, the on-screen display changes to "PRESS START BUTTON" from "INSERT COIN(S)" and both START BUTTONS flash. Up to 9 credits can be counted at a time. Coins inserted after counting 9 credits will neither be counted nor returned.
- ② Which one of the Seat positions you play depends on which start button you pressed.
- ③ When the game starts, the name of the Ocean in the first stage and the prize advertisement by the BOSS are displayed and then the opening demo starts. These can be skipped by pressing the start button. The opening demo is followed by the game mode in which you keep shooting the enemy characters.



- ④ By sighting the Gun Controller directly at the target, shoot down the sharks and other enemy characters coming at you and protect yourself from damage.
- ⑤ Use both Triggers (right/left) simultaneously to shoot 5 rounds (automatically) During this time, the SIGHT display disappears.
- ⑥ Earn points by shooting sharks, sea snakes, and other small items. The total points are displayed on the score display screen after finishing the stage.
- ⑦ If you shoot the Diver appearing during Game Play by mistake, "MISS SHOT" will be displayed on and you will lose one LIFE.
- ⑧ When the LIFE becomes 0, game is over. To continue, insert a continue play worth of coins and press the START BUTTON. In case a sufficient number of credits still remains, press the START BUTTON to continue.



- ⑨ The BOSS appears at the end of the stage. Shooting down the BOSS results in a stage clear. On the top of the screen, the LIFE GUAGE(s) is displayed for the BOSS and or the LARGE SIZE ENEMY(middle boss) appearing during the stage. Every time you hit them, the corresponding LIFE GUAGE meter decreases. The enemy is shot down completely if the LIFE GUAGE meter diminishes to 0. NOTE that almost all the BOSSes and middle bosses have their weak points. Shoot the weak points on the screen to decrease the LIFE GUAGE meter quickly and increase the score at the same time.
- ⑩ When the fight with the BOSS climaxes, the “SHOOT” mark will be displayed on the weak point of BOSS. At this point of stage, shooting elsewhere other than the weak point can not give damage to BOSS. Shoot the “SHOOT” point 3 times so as to down the BOSS (except for the 6th Stage).
- ⑪ This game allows 2 persons to play simultaneously. While one person is playing, the other person can participate in the game anytime by inserting a coin(s) and pressing the START BUTTON.
- ⑫ When all of the 7 Stages are cleared, if your score(place) is 10th or higher, you can enter your name. The name entered and the score are displayed by the on-screen ranking.

#### ADVICE ON PLAY

##### RESCUE THE DIVER

Several times during play, you will encounter the Diver asking for Help. Quickly shoot down the enemy coming at the diver, and the diver will recover you life by one as thanks.

##### KEEP SHOOTING THE TREASURE CHEST

In each stage, several Treasure Chests are provided in sunken ships, etc. When you hit the Treasure Chest, the lid opens and gold coins will scatter. However, you can earn only G100 points by shooting once. The ammunition you fire the more points that the Treasure Chest allows you to earn. Let's keep shooting at it.

## 6. EXPLANATION OF TEST AND DATA DISPLAY

By operating the switch unit, periodically perform the tests and data check. When installing the machine initially or collecting cash, or when the machine does not function correctly, perform checking in accordance with the explanations given in this section. The following shows tests and modes that should be utilized as applicable.

TABLE 6 EXPLANATION OF TEST MODE

ITEMS	DESCRIPTION	SECTIONS
INSTALLATION OF MACHINE	When the machine is installed, perform the following: 1. Check to see that each setting is as per standard setting made at the time of shipment. 2. In the INPUT TEST mode, check each SW and VR. 3. In the OUTPUT TEST mode, check each of lamps. 4. In the MEMORY TEST mode, check ICs on the IC Board.	6 - 8, 6 - 9, 6 - 10 6 - 4 6 - 7 6 - 3
MEMORY	Choose MEMORY TEST in the MENU mode to allow the MEMORY test to be performed. In this test, PROGRAM RAMs, ROMs, and ICs on the IC Board are checked.	6 - 3
PERIODIC SERVICING	Periodically perform the following: 1. MEMORY TEST 2. Ascertain each setting. 3. In the INPUT TEST mode, test the CONTROL device 4. In the OUTPUT TEST mode, check each of the lamps.	6 - 3 6 - 8, 6 - 9 6 - 4 6 - 7
CONTROL SYSTEM	1. In the INPUT TEST mode, check each SW and VR. 2. Adjust or replace each SW and VR. 3. If the problem hasn't been solved yet, check the CONTROL's moves.	6 - 4 7 7
PROJECTOR	In the PROJECTOR ADJUSTMENT mode, check to see if the PROJECTOR adjustment is appropriately made.	9
IC BOARD	1. MEMORY TEST 2. In the SOUND TEST mode, check the sound related ROMs.	6 - 3 6 - 5
DATA CHECK	Check such data as game play time and histogram to adjust the difficulty level, etc	6 - 11

CAUTIONS TO BE HEDED WHEN USING THE TEST MODE



IMPORTANT!

In case where multiple units are linked for communication play, exiting from the test mode causes the unit to perform the network check automatically. During this time, all of the linked units will not allow the game to be played in the normal status. Therefore, be sure not to enter the test mode if any one of the units is in play. On the other hand, if even one unit is in the test mode, make sure that other machines are not in play.

6 - 1 SWITCH UNIT AND COIN METER



WARNING!

Never touch places other than those specified. Touching places not specified can cause electric shock and short circuit.

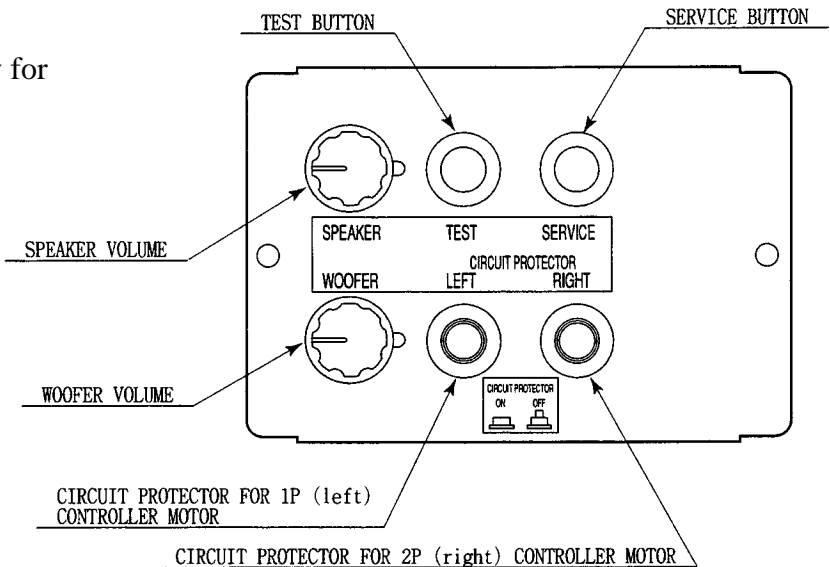


IMPORTANT!

- Adjust to the optimum sound volume by considering the environmental requirements of the installation location.
- If the COIN METER and the game board are electrically disconnected, game play is not possible.

Open COIN CHUTE DOOR, and the switch unit shown appears. The function of each switch is as follows:

- ① **SOUND VOLUME SPEAKER**  
Controls the speaker volume of all of the machines speakers.
- ② **SOUND VOLUME WOOFER**  
Controls the speaker volume only for SEAT & BASE Woofer.
- ③ **TEST BUTTON (TEST SW)**  
For the handling of the TEST BUTTON, refer to the section on test mode.
- ④ **SERVICE BUTTON (SERVICESW)**  
Gives credits without registering on the coin meter.



## 6 - 2 TEST MODE



In case settings are changed in GAME ASSIGNMENTS, COIN ASSIGNMENT the setting changes are not effective unless the test mode is exited and the game mode returns to the screen. The setting changes are ineffective if the power is turned off in the test mode.

The TEST MODE allows the functioning of each part of the Cabinet to be checked, the monitor to be adjusted, and the coins and game related various settings to be performed.

### SELECTION OF TEST ITEMS

```
TEST MENU
MEMORY TEST
BOUNDARY SCAN TEST
INPUT TEST
OUTPUT TEST
SOUND TEST
C. R. T. TEST
GAME ASSIGNMENTS
COIN ASSIGNMENTS
VOLUME ADJUSTMENTS
BOOKKEEPING
BACKUP DATA CLEAR
-> EXIT

SELECT WITH SERVICE BUTTON
AND PRESS TEST BUTTON
```

Press the TEST BUTTON to have the menu displayed on the screen.

Press the SERVICE BUTTON until the pointer is moved to the desired item to make a selection.

Bring the pointer to the desired item and press the TEST BUTTON to enter the selected item's test.

## 6-3 MEMORY TEST

```
          CPU ROM TEST

GOOD (CROM13  MASK) IC.  5  XXXX
GOOD (CROM12  MASK) IC.  6  XXXX
GOOD (CROM11  MASK) IC.  7  XXXX
GOOD (CROM10  MASK) IC.  4  XXXX
GOOD (CROM23  MASK) IC.  9  XXXX
GOOD (CROM22  MASK) IC. 10  XXXX
GOOD (CROM21  MASK) IC. 11  XXXX
GOOD (CROM20  MASK) IC. 12  XXXX
GOOD (CROM33  MASK) IC. 13  XXXX
GOOD (CROM32  MASK) IC. 14  XXXX
GOOD (CROM31  MASK) IC. 15  XXXX
GOOD (CROM30  MASK) IC. 16  XXXX
GOOD (CROM3   EPROM) IC. 17  XXXX
GOOD (CROM2   EPROM) IC. 18  XXXX
GOOD (CROM1   EPROM) IC. 19  XXXX
GOOD (CROM0   EPROM) IC. 20  XXXX

PRESS TEST BUTTON TO CONTINUE
```

The MEMORY TEST mode is for checking the on-BD memory IC functioning. “GOOD” is displayed for normal ICs and “BAD” is displayed for abnormal ICs

- When the test is completed, if the display is as shown left, it is satisfactory.
- After finishing the test, pressing the TEST BUTTON allows the MENU MODE to return on the screen.

```
          VIDEO BOARD RAM TEST

                                GOOD

PRESS TEST BUTTON TO EXIT
```

```
          VIDEO BOARD ROM TEST

GOOD (VROM01) IC. 26
GOOD (VROM00) IC. 27
GOOD (VROM03) IC. 28
GOOD (VROM02) IC. 29
GOOD (VROM05) IC. 30
GOOD (VROM04) IC. 31
GOOD (VROM07) IC. 32
GOOD (VROM06) IC. 33
GOOD (VROM11) IC. 34
GOOD (VROM10) IC. 35
GOOD (VROM13) IC. 36
GOOD (VROM12) IC. 37
GOOD (VROM15) IC. 38
GOOD (VROM14) IC. 39
GOOD (VROM17) IC. 40
GOOD (VROM16) IC. 41

PRESS TEST BUTTON TO CONTINUE
```

```
          VIDEO BOARD RAM TEST

                                GOOD

PRESS TEST BUTTON TO EXIT
```

## 6 - 4 INPUT TEST

When INPUT TEST is selected, the MONITOR will show the following, allowing you to watch the status of each switch.

On the screen, periodically check the status of each switch.

```
INPUT TEST
VOLUME 1P PITCH 00
VOLUME 1P YAW 00
VOLUME 2P PITCH 00
VOLUME 2P YAW 00

1P LEFT SHOT OFF
1P RIGHT SHOT OFF
2P LEFT SHOT OFF
2P RIGHT SHOT OFF

1P START OFF
2P START OFF

COIN #1 OFF
COIN #2 OFF
SERVICE OFF
TEST OFF

PRESS SERVICE+TEST BUTTON TO EXIT
```

- By pressing each switch, if the display on the righthand side of the name of each switch changes to ON from OFF, the SW and the wiring connections are satisfactory.
- Open the COIN CHUTE DOOR and insert a coin from the COIN ENRTY to check the COIN CHUTE SW.

In the INPUT test, pressing the TEST BUTTON causes the menu to return to the screen.

## 6 - 5 OUTPUT TEST

```
OUTPUT TEST

1P START LAMP OFF
2P START LAMP OFF
1P CONTROLLER REACTION OFF
2P CONTROLLER REACTION OFF

→EXIT

SELECT WITH SERVICE BUTTON
AND PRESS TEST BUTTON
```

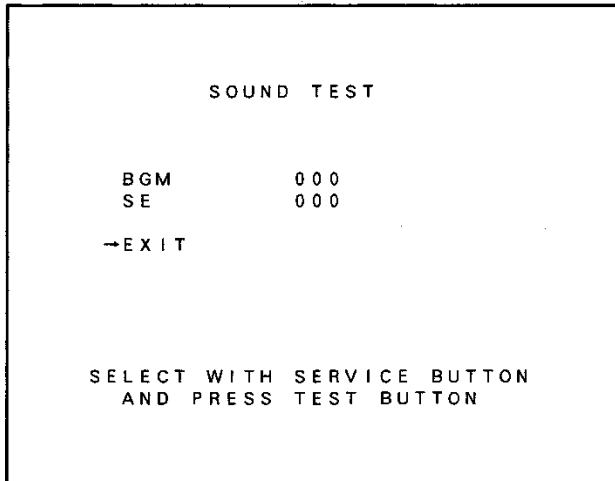
Choose OUTPUT TEST to have the MONITOR screen shown left to appear. This screen allows lamp status to be checked. Periodically check the lamp status in this mode.

Press the SERVICE BUTTON to move the arrow to the desired lamp test item.

Press the TEST BUTTON. If the display to the right of the lamp name changes to ON from OFF, the lamp and wiring connection are satisfactory.

Choose EXIT and press the TEST BUTTON to return to MENU mode (FIG. 6.2).

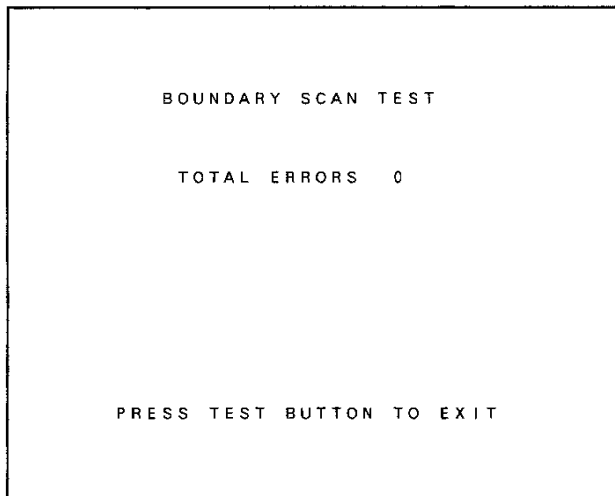
## 6 - 6 SOUND TEST



This enables sound used in the game to be checked. Sound related memory and each speaker are checked.

- Press the SERVICE BUTTON to bring the arrow to the desired sound item to be tested. Pressing the TEST BUTTON causes the desired sound test to appear. Each time the SERVICE BUTTON is pressed, the numeral displayed on the screen counts up and sound is emitted.

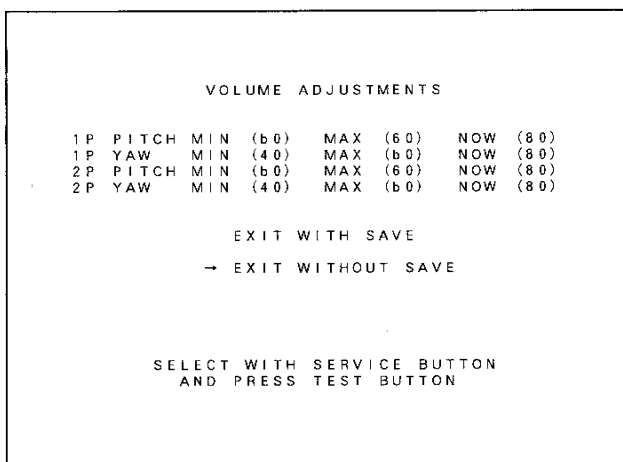
## 6 - 7 BOUNDARY SCAN TEST



Selecting BOUNDARY SCAN TEST, causes the Game Board's testing in terms of hardware to be performed automatically.

- When the test is completed, if the results are shown as above it is satisfactory.
- After finishing the test, press the Test Button to have the Menu Mode return to the screen. Next, turn the power off and then turn it back on again. By doing so, the Board initialization is performed to avoid malfunctioning.

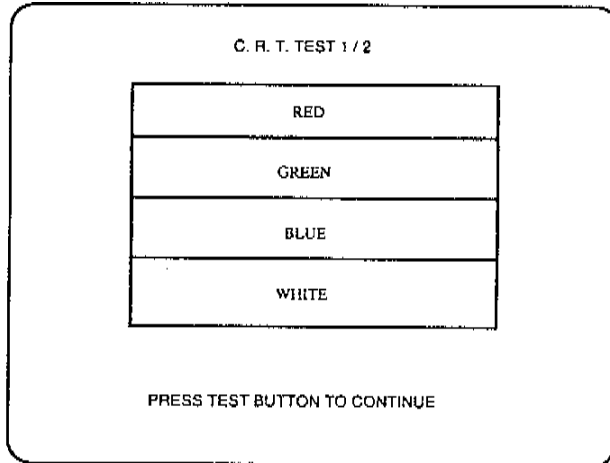
## 6 - 8 VOLUME ADJUSTMENTS



This item allows the Volume Value to be adjusted after the replacement of Controller Volume or when the Controller movements are irregular.

- Set an appropriate Volume Value by moving the Controller up/down and right/left fully within the moveable range. Move the Cursor to EXIT WITH SAVE and press the test button to store the setting contents and return to the Menu Mode. To return to the Menu Mode without changing the setting contents, move the Cursor to EXIT WITHOUT SAVE and press the TEST BUTTON.

## 6 - 9 C.R.T. TEST

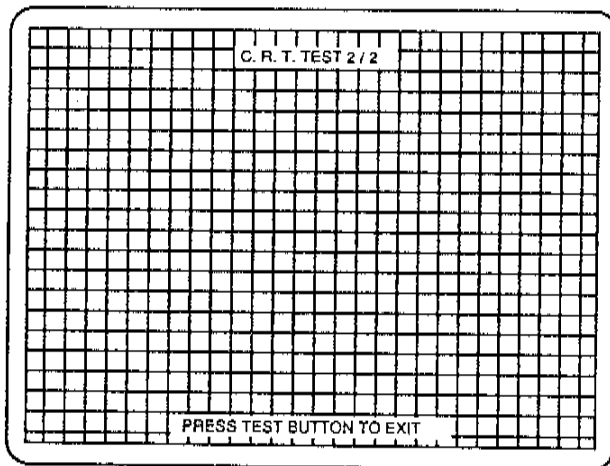


Select C.R.T. TEST to cause the MONITOR to display the screen shown left, allowing MONITOR adjustment status to be checked.

Periodically check the MONITOR adjustment status on this screen.

The screen (1/2) enables color adjustment check to be performed. The color bar of each of the 4 colors, i.e., red, green, blue, and white, is the darkest at the extreme left and becomes brighter towards the extreme right.

Press the TEST BUTTON to shift to the next page (2/2).



The screen (2/2) allows screen size and distortion to be tested.

Check if the CROSSHATCH FRAME LINE goes out of the screen and if the crosshatch lines are distorted.

Press the TEST BUTTON to return to the MENU mode.



## 6 - 10 GAME ASSIGNMENTS

Selecting the GAME ASSIGNMENTS in the MENU mode causes the present game settings to be displayed and also the game settings changes (game difficulty, etc.) can be made. Each item displays the following content.

### SETTING CHANGE PROCEDURE



IMPORTANT!

Setting changes cannot be stored unless the TEST BUTTON is pressed while the arrow is on EXIT.

- ① Press the SERVICE BUTTON to move the arrow to the desired item.
- ② Choose the desired setting change item by using the TEST BUTTON.
- ③ To return to the MENU mode, move the arrow to EXIT and press the TEST BUTTON.

GAME ASSIGNMENTS	
COUNTRY	EXPORT
DIFFICULTY	NORMAL
ADVERTISE SOUND	ON
CABINET TYPE	DELUXE
CONTROLLER REACTION	NORMAL
→ EXIT	
SELECT WITH SERVICE BUTTON AND PRESS TEST BUTTON	

**These FIGURES/  
TABLES show the  
factory recommended  
settings.**

- **GAME DIFFICULTY**  
This game allows by-course difficulty level to be set in 4 levels. Depending on the difficulty level set, the initial time varies.
- **ADVERTISE SOUND**  
Setting of sound during Advertise. ON(sound to be emitted), OFF(sound not to be emitted).
- **CABINET TYPE**  
Setting of cabinet. Set to DELUXE for this machine.
- **CONTROLLER REACTION**  
Sets the Controller's vibration strength and off for no vibration.
- **COUNTRY**  
Message language.

## 6 - 11 COIN ASSIGNMENTS

The “COIN ASSIGNMENTS” mode permits you to set the start number of credits, as well as the basic numbers of coins and credits. This mode expresses “how many coins correspond to how many credits.”

### SETTING CHANGE PROCEDURE



IMPORTANT!

Setting changes cannot be stored unless the TEST BUTTON is pressed while the arrow is on EXIT.

- ① Press the SERVICE BUTTON to move the arrow to the desired item.
- ② Choose the desired setting change item by using the TEST BUTTON.
- ③ To return to the MENU mode, move the arrow to EXIT and press the TEST BUTTON.

```
COIN ASSIGNMENTS
2 CREDITS TO START 1 CREDIT TO CONTINUE
COIN/CREDIT SETTING #1
COIN CHUTE #1
1 COIN 1 CREDIT

COIN CHUTE #2
1 COIN 1 CREDIT

MANUAL SETTING
- EXIT
SELECT WITH SERVICE BUTTON
AND PRESS TEST BUTTON
```

### ● COIN CHUTE TYPE

Sets the combination of the number of COIN CHUTES and the number of players as applicable. In the case that the COIN CHUTE is changed, be sure the setting is made in a manner meeting the replaced coin chute.

#### COMMON:

Coins are accepted in common for both players.

#### INDIVIDUAL:

Each player uses a coin chute which accepts coins independently.

### ● CREDIT TO START

Number of credits required for starting game (1~5 credits are selected.)

### ● CREDIT TO CONTINUE

Number of credits required for continuing game (1~5 credits are selected.)

### ● COIN/CREDIT SETTING

Sets the CREDITS increase increment per coin insertion. There are 27 settings from #1 to #27, expressed in XX CREDIT as against XX COINS inserted. (TABLE 6.10a, 6.10b) #27 refers to FREE PLAY.

When the COIN CHUTE TYPE is set to INDIVIDUAL, there are some setting numbers not displayed as indicated in TABLE 6.10b.

### ● MANUAL SETTING

This allows credit increase setting as against coin insertion to be further set in the manner finer than COIN/CREDIT SETTING (refer to TABLE 6.10c).

TABLE 6.11a COIN/CREDIT SETTING (COIN CHUTE COMMON TYPE)

SETTING	FUNCTIONING OF CHUTE#1	
SETTING #1	1 COIN	1 CREDIT
SETTING #2	1 COIN	2 CREDITS
SETTING #3	1 COIN	3 CREDITS
SETTING #4	1 COIN	4 CREDITS
SETTING #5	1 COIN	5 CREDITS
SETTING #6	1 COIN	2 CREDITS
SETTING #7	1 COIN	5 CREDITS
SETTING #8	1 COIN	3 CREDITS
SETTING #9	1 COIN	4 CREDITS
SETTING #10	1 COIN	5 CREDITS
SETTING #11	1 COIN	6 CREDITS
SETTING #12	2 COINS	1 CREDIT
SETTING #13	1 COIN	1 CREDIT
SETTING #14	1 COIN	2 CREDITS
SETTING #15	1 COIN	1 CREDIT
	2 COINS	3 CREDITS
SETTING #16	1 COIN	3 CREDITS
SETTING #17	3 COINS	1 CREDIT
SETTING #18	4 COINS	1 CREDIT
SETTING #19	1 COIN	1 CREDIT
	2 COINS	2 CREDITS
	3 COINS	3 CREDITS
	4 COINS	5 CREDITS
SETTING #20	1 COIN	5 CREDITS
SETTING #21	5 COINS	1 CREDIT
SETTING #22	1 COIN	2 CREDITS
SETTING #23	2 COINS	1 CREDIT
	4 COINS	2 CREDITS
	5 COINS	3 CREDITS
SETTING #24	1 COIN	3 CREDITS
SETTING #25	1 COIN	1 CREDIT
	2 COINS	2 CREDITS
	3 COINS	3 CREDITS
	4 COINS	4 CREDITS
	5 COINS	6 CREDITS
SETTING #26	1 COIN	6 CREDITS
SETTING #27	FREE PLAY	

TABLE 6.11b COIN/CREDIT SETTING (COIN CHUTE INDIVIDUAL TYPE)

SETTING	FUNCTIONING OF COIN CHUTE	
SETTING #1	1 COIN	1 CREDIT
SETTING #6	1 COIN	2 CREDITS
SETTING #8	1 COIN	3 CREDITS
SETTING #9	1 COIN	4 CREDITS
SETTING #10	1 COIN	5 CREDITS
SETTING #11	1 COIN	6 CREDITS
SETTING #12	2 COINS	1 CREDIT
SETTING #15	1 COIN	1 CREDIT
	2 COINS	3 CREDITS
SETTING #17	3 COINS	1 CREDIT
SETTING #18	4 COINS	1 CREDIT
SETTING #19	1 COIN	1 CREDIT
	2 COINS	2 CREDITS
	3 COINS	3 CREDITS
	4 COINS	5 CREDITS
SETTING #21	5 COINS	1 CREDIT
SETTING #22	3 COINS	1 CREDIT
	5 COINS	2 CREDITS
SETTING #23	2 COINS	1 CREDIT
	4 COINS	2 CREDITS
	5 COINS	3 CREDITS
SETTING #25	1 COIN	1 CREDIT
	2 COINS	2 CREDITS
	3 COINS	3 CREDITS
	4 COINS	4 CREDITS
	5 COINS	6 CREDITS
SETTING #27	FREE PLAY	

# MANUAL SETTING

Selecting MANUAL SETTING in the COIN ASSIGNMENTS mode displays the following screen.

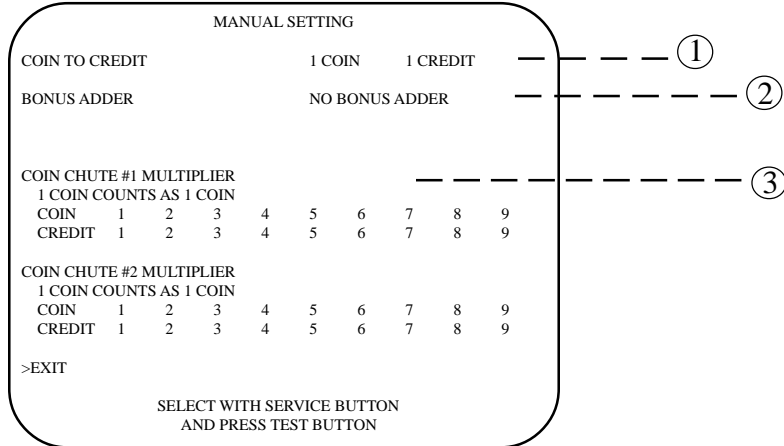


FIG. 6.11b MANUAL SETTING

- ① Determines Coin/Credit setting.
- ② This sets how many coins should be inserted to obtain one Service Coin.
- ③ This sets how many tokens one coin represents.

Table 6.11c MANUAL SETTING

COIN TO CREDIT	1 COIN 1 CREDIT
	2 COINS 1 CREDIT
	3 COINS 1 CREDIT
	4 COINS 1 CREDIT
	5 COINS 1 CREDIT
	6 COINS 1 CREDIT
	7 COINS 1 CREDIT
	8 COINS 1 CREDIT
	9 COINS 1 CREDIT
BONUS ADDER	NO BONUS ADDER
	2 COINS GIVE 1 EXTRA COIN
	3 COINS GIVE 1 EXTRA COIN
	4 COINS GIVE 1 EXTRA COIN
	5 COINS GIVE 1 EXTRA COIN
	6 COINS GIVE 1 EXTRA COIN
	7 COINS GIVE 1 EXTRA COIN
	8 COINS GIVE 1 EXTRA COIN
	9 COINS GIVE 1 EXTRA COIN
COIN CHUTE MULTIPLIER	1 COIN COUNTS AS 1 COIN
	1 COIN COUNTS AS 2 COINS
	1 COIN COUNTS AS 3 COINS
	1 COIN COUNTS AS 4 COINS
	1 COIN COUNTS AS 5 COINS
	1 COIN COUNTS AS 6 COINS
	1 COIN COUNTS AS 7 COINS
	1 COIN COUNTS AS 8 COINS
	1 COIN COUNTS AS 9 COINS

## 6 - 12 BOOKKEEPING

Choosing BOOKKEEPING in the MENU mode displays the data of operating status up to the present are shown on 2 pages. Press the TEST BUTTON to proceed to PAGE 2/2.

BOOKKEEPING		PAGE 1/2
COIN REPORT		
COIN CHUTE #1		0
COIN CHUTE #2		0
TOTAL COINS		0
COIN CREDITS		0
SERVICE CREDITS		0
TOTAL CREDITS		0
NUMBER OF GAMES		0
TOTAL	TIME	0D 0H 0M 0S
PLAY	TIME	0D 0H 0M 0S
AVERAGE	PLAY TIME	0H00M00S
LONGEST	PLAY TIME	0H00M00S
SHORTEST	PLAY TIME	0H00M00S
PRESS TEST BUTTON TO CONTINUE		

BOOKKEEPING		PAGE 2/2
TIME HISTOGRAM		
0M00S ~	0M29S	0
0M30S ~	0M59S	0
1M00S ~	1M29S	0
1M30S ~	1M59S	0
2M00S ~	2M29S	0
2M30S ~	2M59S	0
3M00S ~	3M29S	0
3M30S ~	3M59S	0
4M00S ~	4M29S	0
4M30S ~	4M59S	0
5M00S ~	5M29S	0
5M30S ~	5M59S	0
6M00S ~	6M29S	0
6M30S ~	6M59S	0
7M00S ~	7M29S	0
7M30S ~	7M59S	0
8M00S ~	8M29S	0
8M30S ~	8M59S	0
9M00S ~	9M29S	0
9M30S ~	9M59S	0
OVER	10M00S	0
PRESS TEST BUTTON TO EXIT		

- **COIN CHUTE#\*:**  
Number of coins put in each Coin Chute.
- **TOTAL COINS:**  
Total number of activations of Coin Chutes.
- **COIN CREDITS:**  
Number of credits registered by inserting coins.
- **SERVICE CREDITS:**  
Credits registered by the SERVICE BUTTON.
- **TOTAL CREDITS:**  
Total number of credits (COIN CREDITS+SERVICE CREDITS).
- **TOTAL TIME:**  
The total energized time.

On page (2/2), each play frequency is displayed. When setting difficulty levels, the frequency can be referred to as a standard.

When in the PAGE 2/2 mode, press the TEST BUTTON to return to the MENU mode.

## 6 - 13 BACKUP DATA CLEAR

BACKUP DATA CLEAR	
YES (CLEAR)	→
NO (CANCEL)	
SELECT WITH SERVICE BUTTON AND PRESS TEST BUTTON	

Clears the contents of BOOKKEEPING and high score player ranking entry.

When clearing, bring the arrow to “YES” and when not clearing, to “NO”, by using the SERVICE BUTTON, and push the TEST BUTTON. When the data has been cleared, “COMPLETED” will be displayed. Bring the arrow to “NO” and press the TEST BUTTON to cause the MENU mode to return on to the screen.

Note that the contents of the game setting and sighting adjustment are not affected by BACKUP DATA CLEAR operation.

## 7. CONTROL MECHA



WARNING!

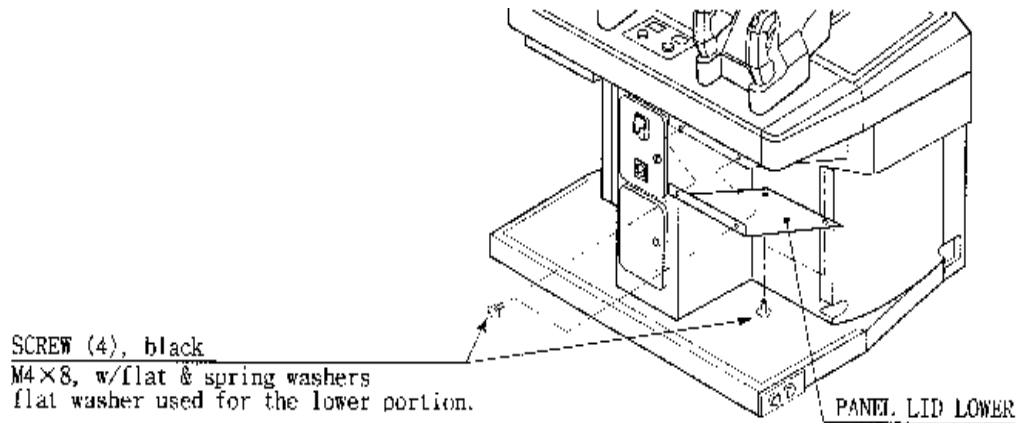
Before starting to work, ensure that the power SW is OFF. Failure to observe this can cause electric shock and short circuit accident. Use care so as not to damage wirings. Damaged wiring can cause electric shock and short circuit hazards.

Do not touch undesignated places. Touching places other than those specified can cause electric shock and short circuit accidents.

In the test mode, if the controller V.R. value movements are irregular, adjust or replace the V.R. in the following procedure.

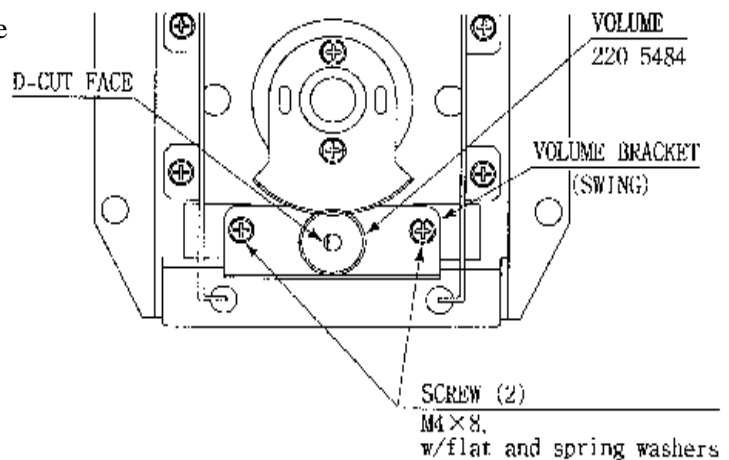
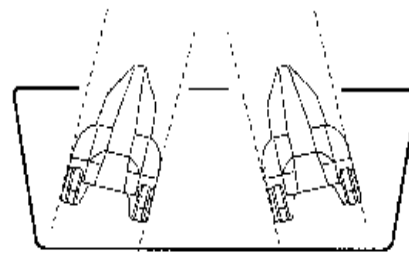
### 7 - 1 ADJUSTING/REPLACING THE SWING (YAW) VOLUME

Take out the 4 screws and remove the PANEL LID LOWER



#### ADJUSTING THE VOLUME

- ① In the Test Mode, have the Volume value indicating screen displayed.
- ② Loosen the 2 screws which secure the Volume Bracket to disengage the gear mesh.
- ③ Adjust the gear mesh in the manner so that the D-CUT face of volume shaft is in the status shown in the picture on right. when the controller is positioned straight.
- ④ Fasten the 2 screws and secure the Volume Bracket.
- ⑤ After adjustment, be sure to perform Volume Settings in "VOLUME ADJUSTMENTS" in the Test Mode.



## REPLACING THE VOLUME

- ① Turn the power off.
- ② Disconnect the connector.
- ③ Remove the Volume Bracket by taking out the 2 screws which secure the Volume Bracket.
- ④ Remove the Volume Gear from the Volume Shaft and replace the Volume.
- ⑤ After replacement, adjust the Volume as per the proceeding page.

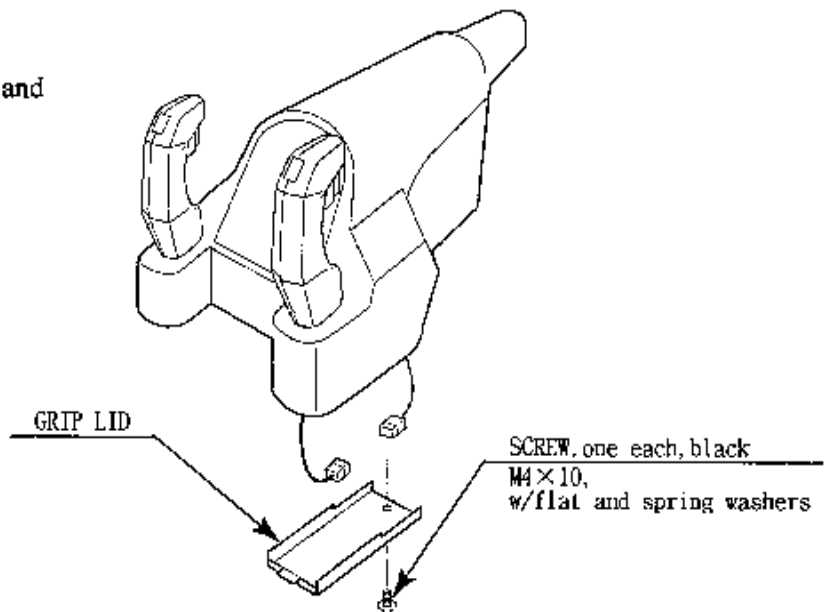
### 7 - 2 ADJUSTING/REPLACING THE PITCH VOLUME



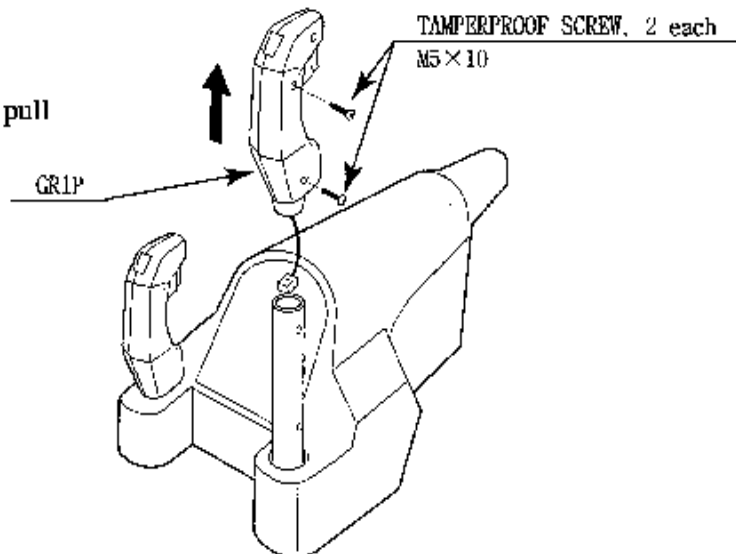
WARNING!

This work should be performed by the locations Maintenance Man or Service Man. Performing work by those who do not have the technical expertise can cause electric shock accident.

- ① Take out one each of screw, remove Grip Lid (left/right), and disconnect the connector.

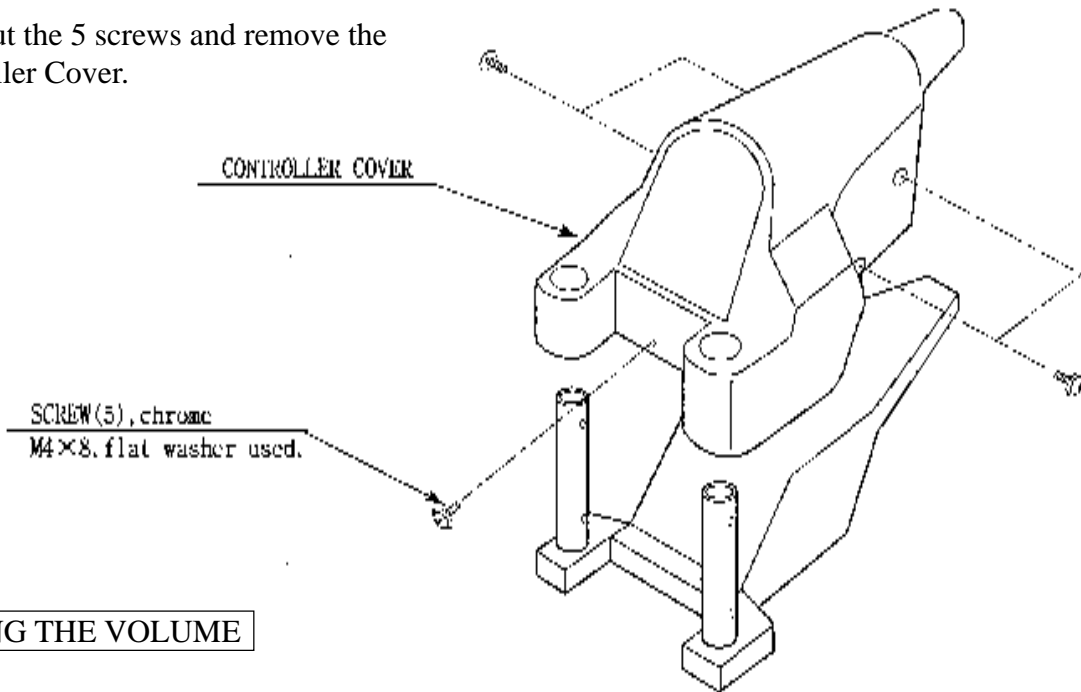


- ② Take out 2 each of screws and pull out the GRIP (left/right).



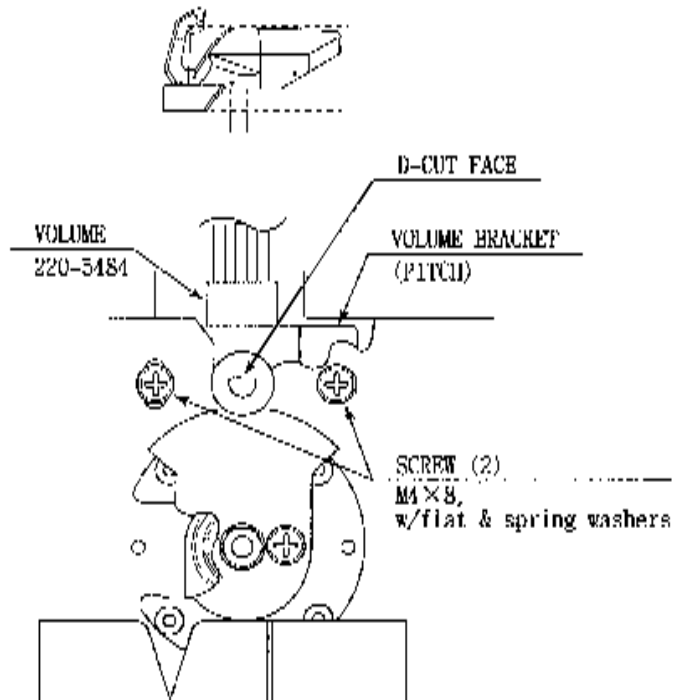


- ③ Take out the 5 screws and remove the Controller Cover.



### ADJUSTING THE VOLUME

- ① In the Test Mode, have the Volume Value indicating screen displayed.
- ② Loosen the 2 screws which secure the Volume Bracket to disengage gear mesh.
- ③ Adjust gear mesh in a manner so that the Volume Shaft D-CUT face is in the status shown at right, when the Controller position is level.
- ④ Fasten the 2 screws and secure the Volume Bracket.
- ⑤ After adjustment, be sure to perform Volume in "VOLUME ADJUSTMENTS" in the TEST Mode.



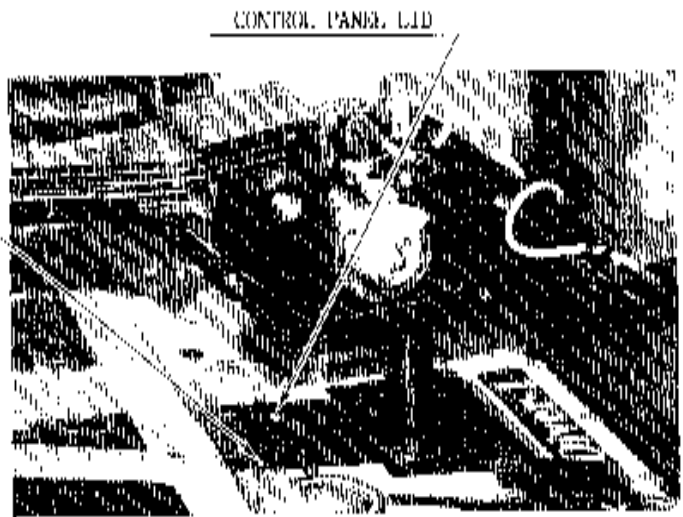
### REPLACING THE VOLUME

- ① Turn power off.
- ② Disconnect the Connector.
- ③ Remove the Volume Bracket by taking out the 2 screws which secure the Volume Bracket.
- ④ Remove the Volume Gear from the Volume Shaft and replace the Volume.
- ⑤ After replacement, adjust the Volume as per above the procedure

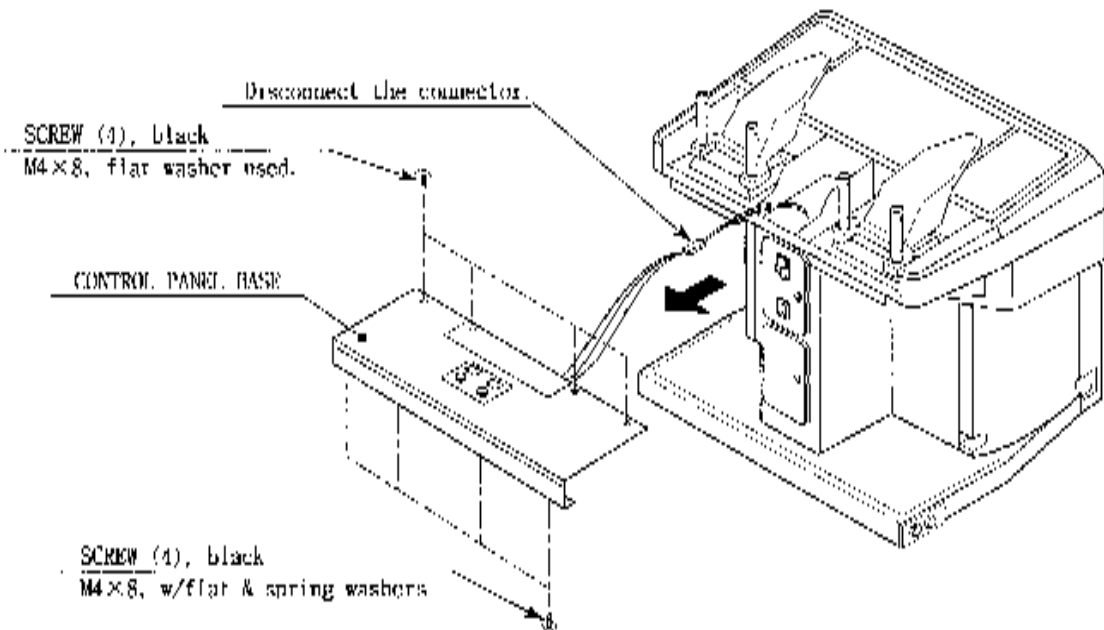
### 7 - 3 REPLACING THE SPRING

- ④ Take out the 2 screws and remove the Control Panel Lid.

TRUSS SCREW (2 each)  
M1×8, black

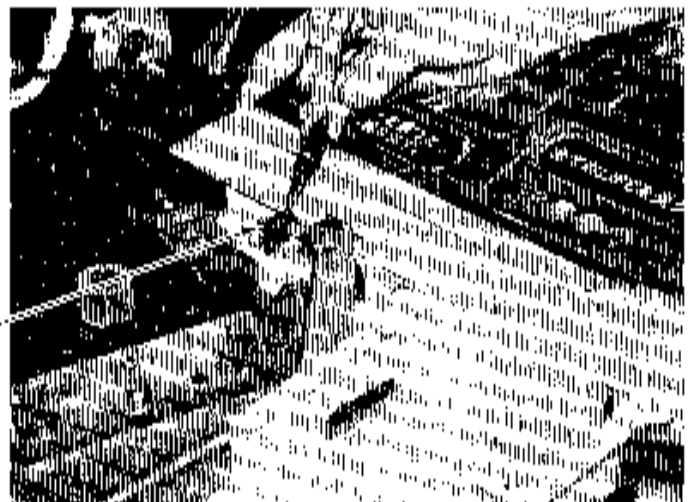


- ⑤ Take out a total of 8 screws and remove the Control Panel Base. At this time, be careful of the wiring connectors.



- ④ Replace the Spring.

SPRING  
OCN 2058



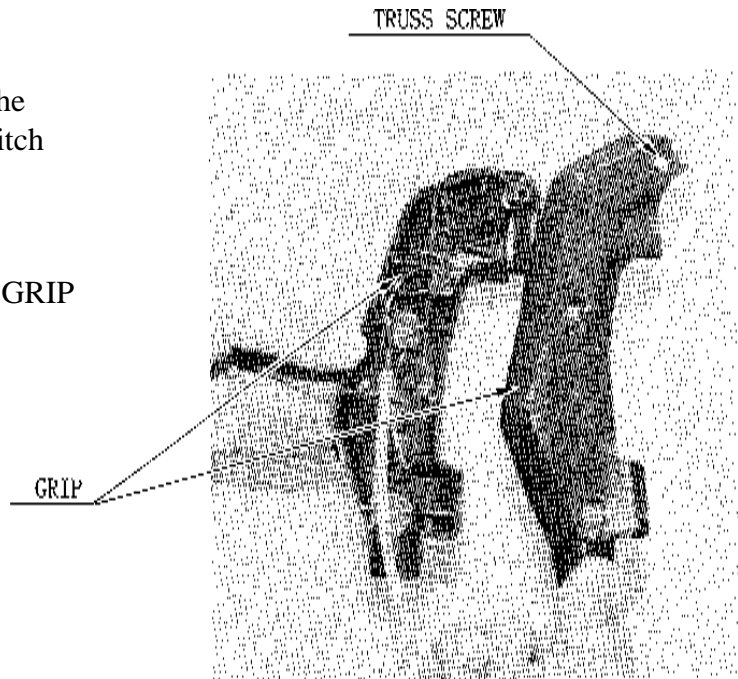
## 7 - 4 REPLACING THE SWITCH



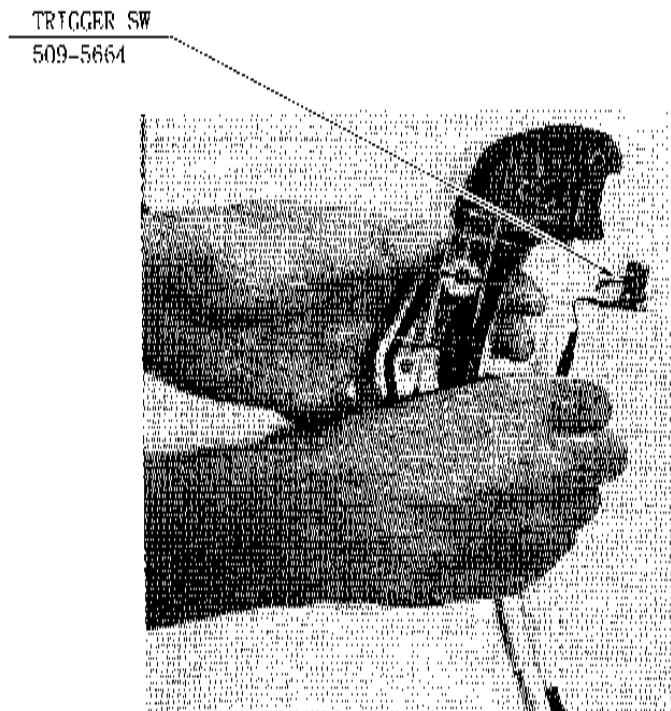
The Controller has some small parts. When disassembling, be very careful so as not to lose parts.

When the Trigger SW is pushed, if the INPUT TEST screen does not display “ON”, the switch inside the GRIP may be malfunctioning and in this case, switch replacement is needed.

- ① Remove the GRIP by first referring to the section on replacement/adjustment of pitch volume.
- ② Remove the screw and disassemble the GRIP



- ③ Replace the Switch.



## 7 - 5 GREASING



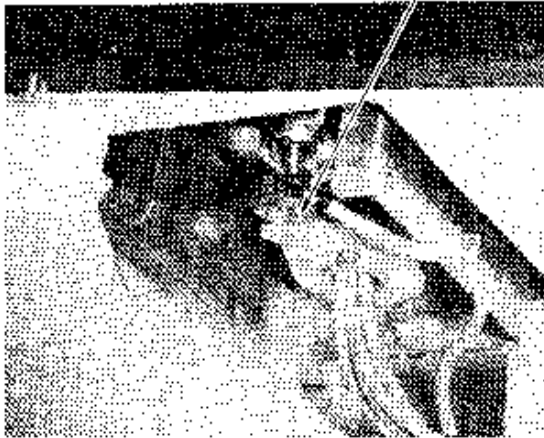
CAUTION!

Do not touch places other than those specified. Touching places not specified can cause an electric shock or short circuit accident. Be sure to use the designated grease. Using undesiganted grease can cause parts damage.

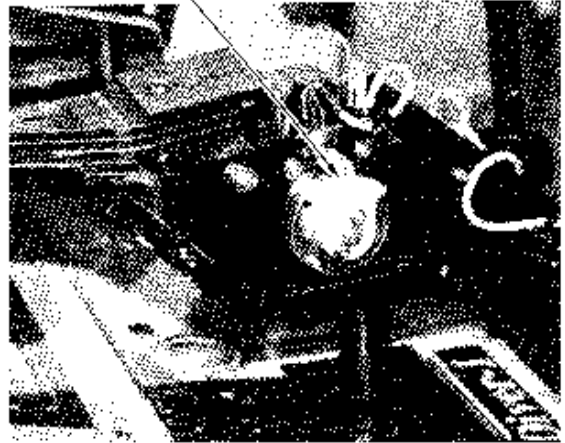
Do not apply greasing to undesiganted places. Failure to observe this can cause malfunctioning or quality deterioration of parts.

Apply spray greasing once every 6 months to the 2 places shown in the figure below, where the spring and gear are engaged. For spray grease, use NOK KLUBER L60 or GREASE MATE.

SWING VOLUME GEAR MESH PORTION



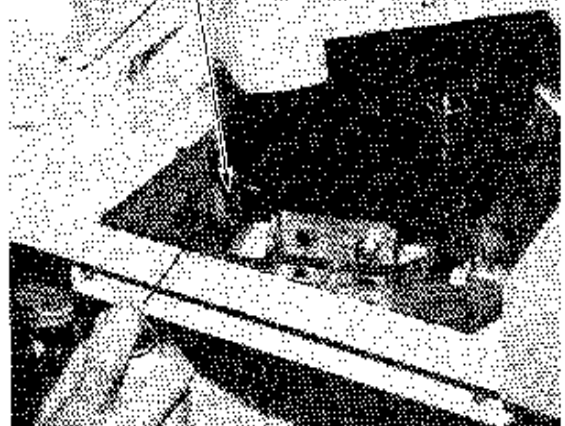
PITCH VOLUME GEAR MESH PORTION



SPRING



RAIL PORTION



## 8. COIN SELECTOR

### HANDLING THE COIN JAM

If the coin is not rejected when the REJECT BUTTON is pressed, open the coin chute door and open the selector gate. After removing the jammed coin, put a normal coin in and check to see that the selector correctly functions.

### CLEANING THE COIN SELECTOR

The coin selector should be cleaned once every 3 months. When cleaning, follow the procedure below:

- ① Turn the power for the machine OFF. Open the coin chute door.
- ② Open the gate and dust off by using a soft brush (made of wool, etc.).
- ③ Remove and clean smears by using a soft cloth dipped in water or diluted chemical detergent and then squeezed dry.
- ④ Remove the CRADLE. When removing the retaining ring(E-ring), be very careful so as not to bend the shaft.
- ⑤ Remove stain from the shaft and pillow portions by wiping off with a soft cloth, etc.
- ⑥ After wiping as per #5 above, further apply a dry cloth, etc. to cause the coin selector to dry completely.

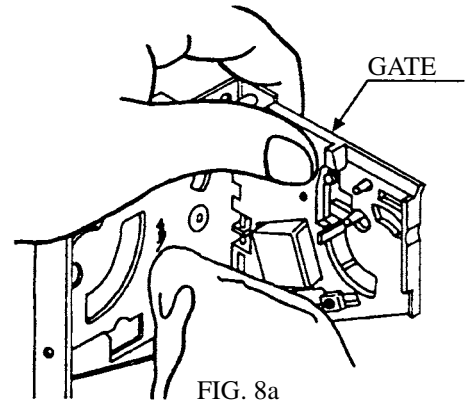


FIG. 8a

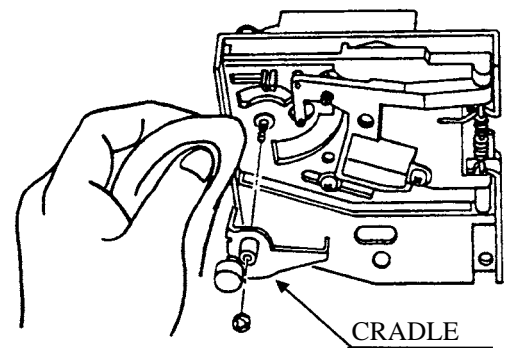


FIG.8b



IMPORTANT!

- Never apply machine oil, etc. to the coin selector
- After cleaning the Coin Selecting, Insert a regular coin in the normal working status and ensure that the Selector correctly functions.

### COIN INSERTION TEST

Once a month, when performing the COIN SW TEST, simultaneously check the following:

- Does the Coin Meter count satisfactorily?
- Does the coin drop into the Cashbox correctly?
- Is the coin rejected when inserted while keeping the REJECT BUTTON pressed down?

Insert a coin while keeping the Reject Button pressed down and check if it is rejected.

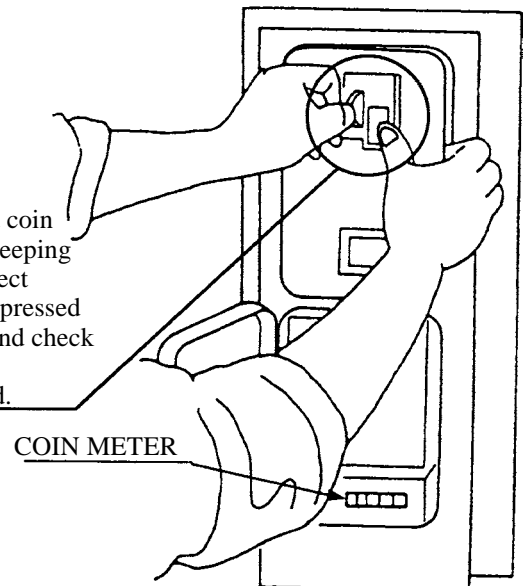


FIG. 8c

## OPTIONAL DOLLAR BILL ACCEPTOR

● THE COIN DOOR ASSEMBLY USED ON **THE OCEAN HUNTER** COMES EQUIPPED TO ACCEPT A DOLLAR BILL ACCEPTOR. ALL NEEDED WIRING CONNECTIONS ARE CONVENIENTLY LOCATED INSIDE THE GAME FOR THIS APPLICATION.

● THE COIN DOOR CAN ACCCOMMODATE THE FOLLOWING VALIDATORS:

HOLE POSITION#1 (FORWARD-MOST POSITION)	MARS 2000 SERIES
HOLE POSITION#2	MARS 2000 SERIES DBV45 (JCM)
HOLE POSITION #3	CURRENTLY NOT USED
HOLE POSITION #4	DSI01*

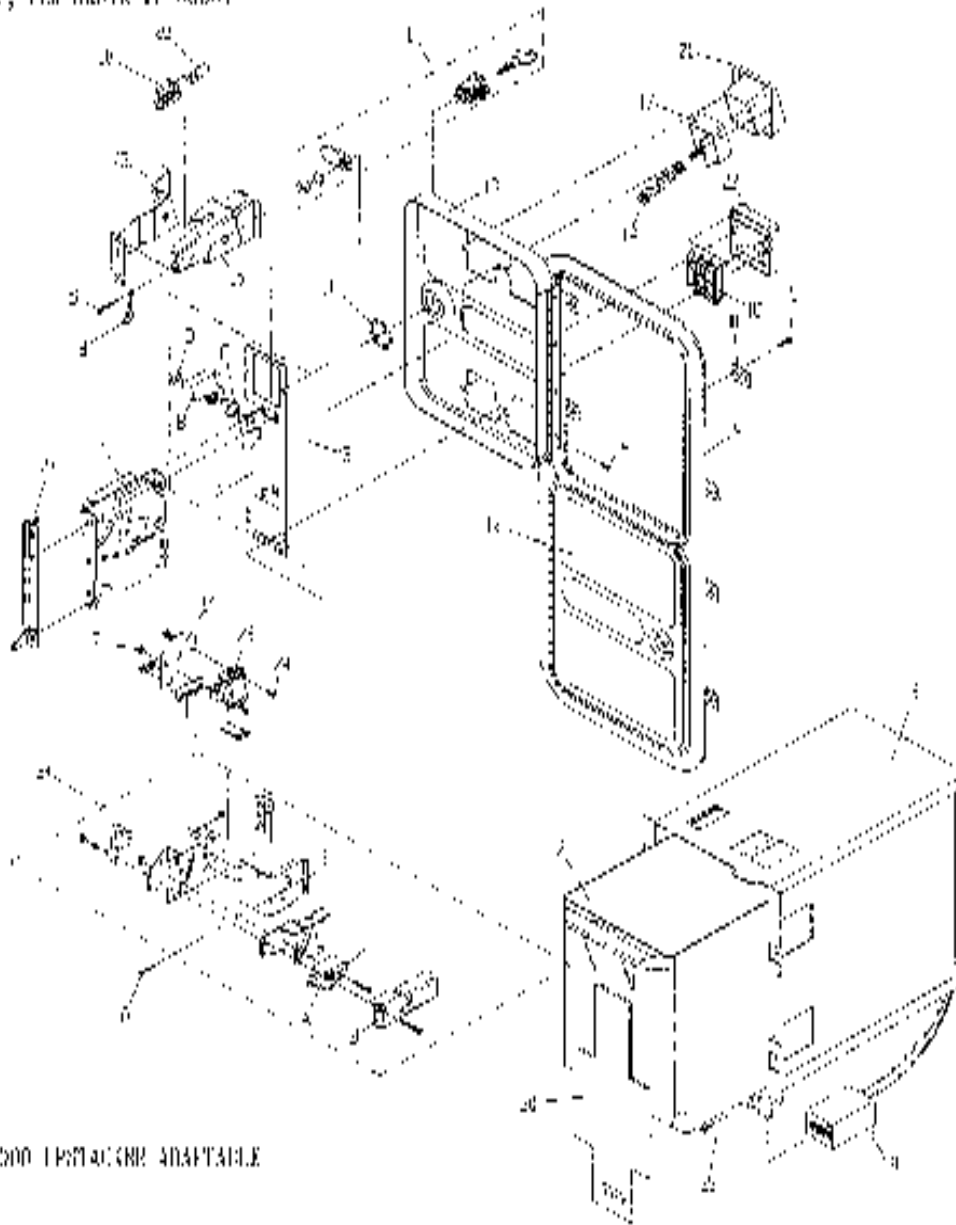
\*The back flange on the chute can be removed for hole position #4. If the flange is not removed, it may interfere with the back of the cabinet.

The frame and cashbox enclosure on this coindoor has been modified to accomodate a Mars 2000 series upstacker. A 2000 series stacker can be added by simply removing the top two entry door and replacing it with a one entry door with a cut-out for a stacker. This one entry door can be ordered through Coin Controls or one of Coin Controls authorized distributors. The Part # is 91-4000-01. The Mars stacker can be obtained through an authorized Mars distributor.

# COIN CONTROLS INTERNATIONAL

1050 HOWARD ST., FIVE CROWN II 68507  
(845) 228-1810

## OVER/UNDER TWO ENTRY COIN DOOR\*



\* PARTS SERVICE 2500 TON MACHINE ADAPTABLE

PART #	DESCRIPTION	COST	PART #	DESCRIPTION	COST	PART #	DESCRIPTION	COST		
11	15-4050-03	3.50	151	9-1130-18	BRACKET TOP ROLLER BRACK	1.75	21	25-1211-06	25" DC. WHEEL	2.50
12	15-4130-01	12.00	152	9-1130-01	ENCLAVE/SLIDER BOTTOM BR	1.50	22	25-1105-06	1.75" DC. WHEEL	6.00
21	25-1177-00	5.00	153	9-1137-00	LEAF-ROLLER	1.50	23	20-1000-01	ENTER & LOCKOUT SWITCH	25
31	25-1165-00	27.50	154	9-1132-00	9" ROLLER SPRING	.80	24	22-1400-06	OPTICAL HSG	7.00
41	96-1002-00	1.50	201	9-1138-00	9" LEAF ROLLER BRACK	1.50	25	10-1000-06	3/4" JOURNAL	1.25
51	00-1900-00	1.25	211	9-1111-08	TOPPER ROLLER BLADE	2.75				
61	00-1910-00	1.25	212	9-1112-08	SECTOR ROLLER BLADE	2.75				
71	50-1205-02	25	213	9-1225-00	25" LOCKOUT TOLL ASSEMBLY	12.95				
22	20-1902-06	1.50	214	9-1218-06	MICROSWITCH ASSEMBLY	16.00				
32	51-1805-00	30.00	215	9-1216-06	MICROSWITCH BLADE	6.00				
101	51-4000-06	1.50	11	1116-1	MICROSWITCH PIN	6.00				
111	51-4005-06	6.00	11	1116-1	MICROSWITCH PIN	6.00				
121	51-4005-02	6.00	11	1116-1	MICROSWITCH PIN	6.00				
131	51-4005-02	6.00	11	1116-1	MICROSWITCH PIN	6.00				
141	51-4005-02	6.00	11	1116-1	MICROSWITCH PIN	6.00				
151	51-4005-02	6.00	11	1116-1	MICROSWITCH PIN	6.00				
161	51-4005-02	6.00	11	1116-1	MICROSWITCH PIN	6.00				
171	51-4005-02	6.00	11	1116-1	MICROSWITCH PIN	6.00				
181	51-4005-02	6.00	11	1116-1	MICROSWITCH PIN	6.00				
191	51-4005-02	6.00	11	1116-1	MICROSWITCH PIN	6.00				
201	51-4005-02	6.00	11	1116-1	MICROSWITCH PIN	6.00				
211	51-4005-02	6.00	11	1116-1	MICROSWITCH PIN	6.00				
221	51-4005-02	6.00	11	1116-1	MICROSWITCH PIN	6.00				
231	51-4005-02	6.00	11	1116-1	MICROSWITCH PIN	6.00				
241	51-4005-02	6.00	11	1116-1	MICROSWITCH PIN	6.00				
251	51-4005-02	6.00	11	1116-1	MICROSWITCH PIN	6.00				
261	51-4005-02	6.00	11	1116-1	MICROSWITCH PIN	6.00				
271	51-4005-02	6.00	11	1116-1	MICROSWITCH PIN	6.00				
281	51-4005-02	6.00	11	1116-1	MICROSWITCH PIN	6.00				
291	51-4005-02	6.00	11	1116-1	MICROSWITCH PIN	6.00				
301	51-4005-02	6.00	11	1116-1	MICROSWITCH PIN	6.00				

## 9. PROJECTOR



Since the projector screen is susceptible to damage, pay careful attention to its handling. When cleaning, refrain from using water or volatile chemicals.

Since the Projector has been adjusted at the time of shipment, avoid making further adjustments without good reason.

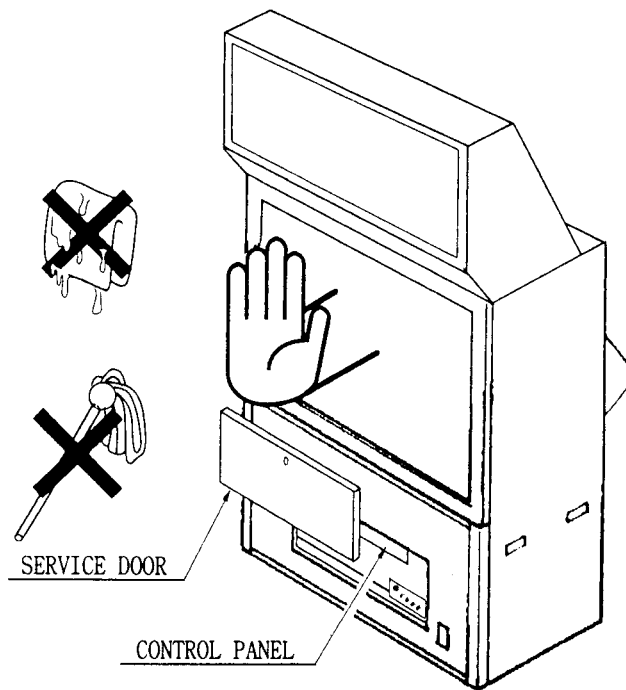
Fine adjustments are stored in the Projector. Pressing the Fine Adjustment SW (Convergence Adjustment) results in entering the Fine Adjustment mode, and this may cause the stored fine adjustment to be changed. During work other than for adjustment, should you touch the Fine Adjustment SW by mistake, immediately turn power off by using the main SW and then turn it back on again. If any distortion or color deviation is found in the test mode and adjustments are needed, use the specified Adjustment Knob, or perform the adjustment by remote control. Note that there are two PROJECTOR makes (HITACHI and MITSUBISHI) and the adjustment method is different between the two. When checking the Adjustment Control Knob, remove the PTV's service door. For the HITACHI PROJECTOR, open the cover in front of the control panel. For the MITSUBISHI PROJECTOR, remove the cover.



The Projector is subject to color deviation due to Convergence deviation caused by the geomagnetism at the installation location and peripheral magnetic field. After the installation of machine, and before commencing operation, check for Convergence deviation and if deviated, make adjustments.

### 9 - 1 CLEANING THE SCREEN

When the screen surface becomes dirty with dust, etc., clean it by using a soft cloth such as gauze. When water and volatile chemicals such as benzene and thinners spill onto the screen surface, it may be subject to damage, therefore, do not use them. Also, since the surfaces are susceptible to damage, refrain from rubbing with a hard material or using a duster.





9 - 2 ADJUSTING HITACHI PROJECTORS

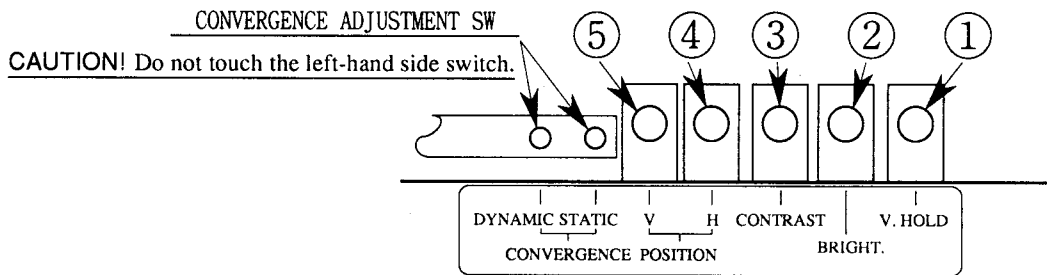
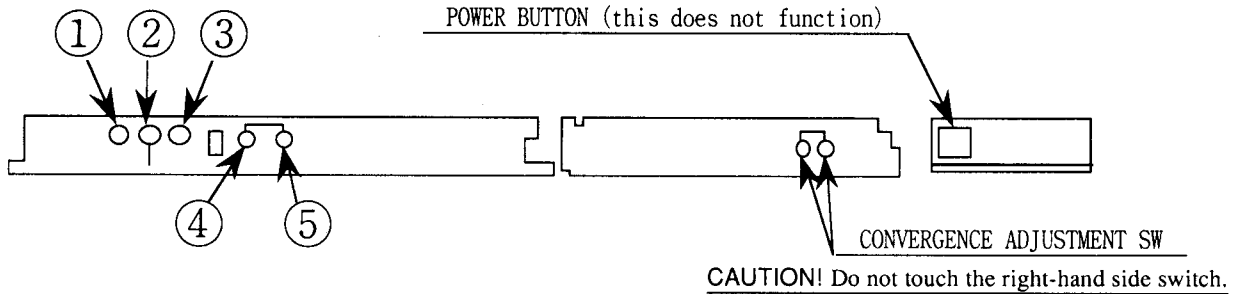


CAUTION!

Never touch places other than those specified. Otherwise, hazardous electric shock or short circuit can be caused.

There are 2 types of HITACHI PROJECTORS. As shown below, the Control's Panel's layout differs from each other. The lower layout allows Static Convergence to be adjusted merely by operating the Remote Control.

□ HITACHI PROJECTOR CONTROL PANEL



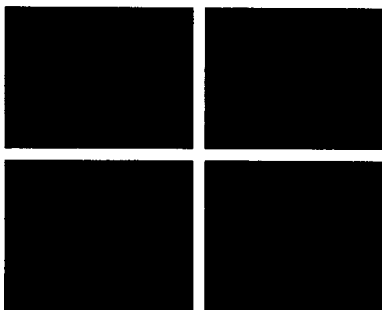
- ① V.HOLD
- ② BRIGHT
- ③ CONTRAST
- ④ H. POSITION
- ⑤ V. POSITION



IMPORTANT!

Do not touch Dynamic Convergence Adjustment Switch. Although dynamic Convergence adjustment is not needed for this product, should it be pressed by error, turn power off and then turn it back on again.

CROSS PATTERN

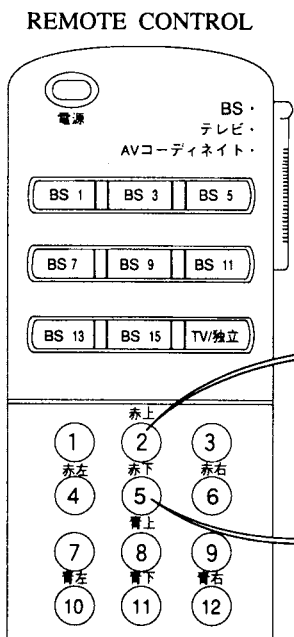


Press the Static Convergence Adjustment SW which is on the Control Panel to cause the cross pattern to appear.

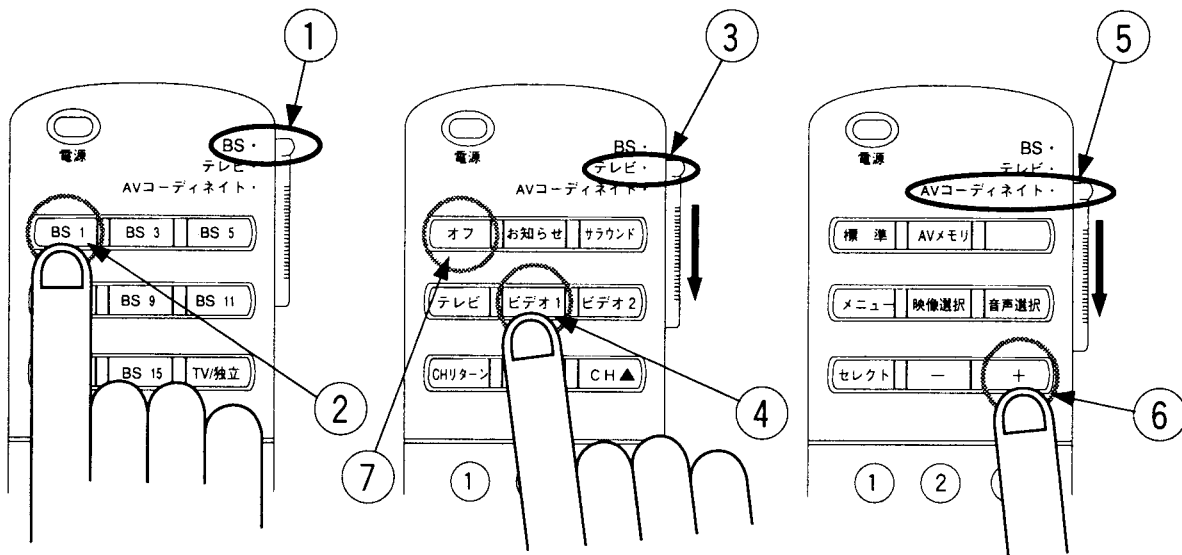
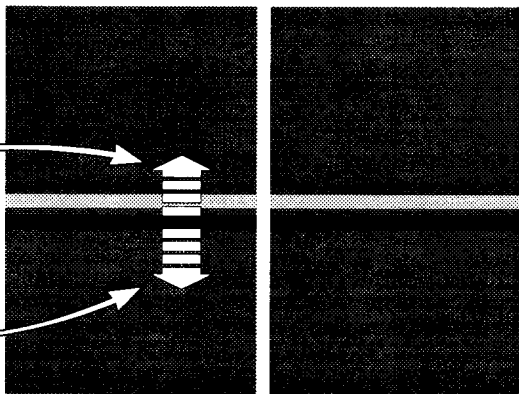
Use the Remote control to make static adjustment. For the operation of the Remote Controller, refer to the following pages.

Press the Static Convergence SW. At this time, static adjustment results are written and the PTV screen will return to the original screen code.

In Case of Remote Controller (Part No. 200-5297):



Entering Projector's Convergence Adjustment Mode allows the Crosshatch to be displayed on the screen. At this time, if the horizontal and vertical lines (of the cross) are not blurred and displayed in white, the convergence status is correct. If red or blue color is blurred from the line, the convergence is incorrect. In this case, make adjustment in the following Adjustment Procedure to return to the correct convergence status.



- ① Make sure that the slide portion of the Remote Control is positioned as per ① above.
- ② Press BS1.
- ③ Position the slide portion of the Remote Control to ③ in the above Figure.
- ④ Press VIDEO 1.
- ⑤ Position the Remote Control's slide portion to the above ⑤ .
- ⑥ Press " + " to have the cross pattern appear.
- ⑦ Use the remote cotroller to make static adjustment.

Remote control [ 2 ], [ 5 ] .... Causes the red horizontal line to match with the green horizontal line.

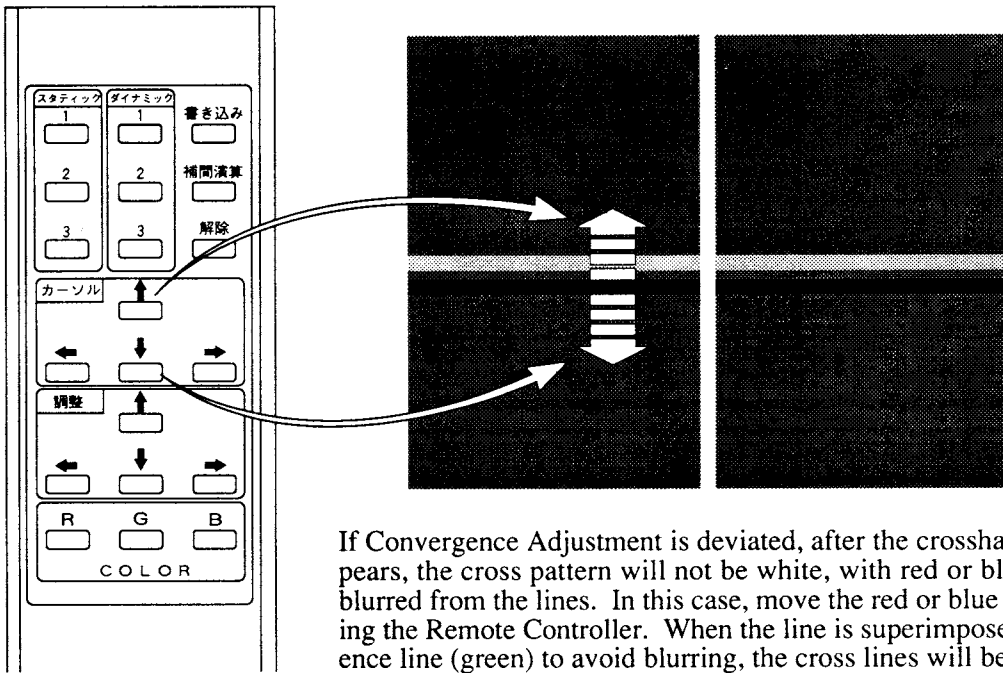
Remote control [ 4 ], [ 6 ] .... Causes the red vertical line to match with the green vertical line.

Remote control [ 8 ], [ 11 ] .... Causes the blue horizontal line to match with the green horizontal line.

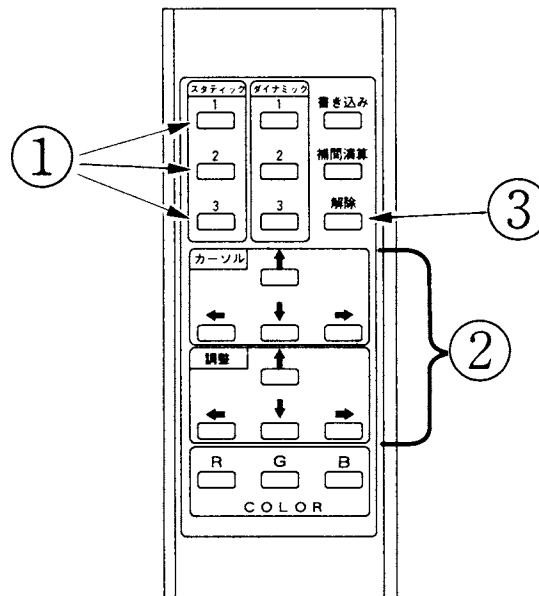
Remote control [ 10 ], [ 12 ] .... Causes the blue vertical line to match with the green vertical line.

- ⑧ Position the Remote Control's slide portion to ③ in the above Figure and push "OFF" 5 times to return to the normal mode.

In Case of Remote Controller (Part No. 200-5410):



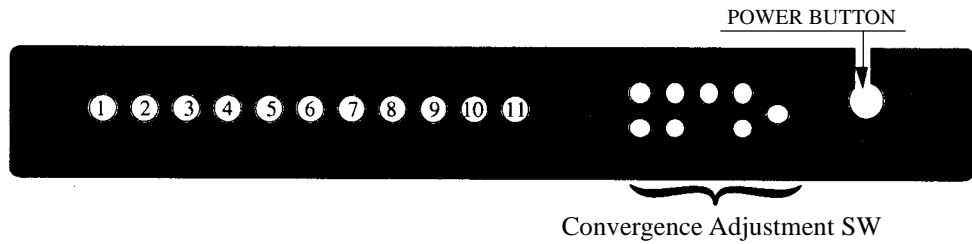
If Convergence Adjustment is deviated, after the crosshatch pattern appears, the cross pattern will not be white, with red or blue color being blurred from the lines. In this case, move the red or blue line by operating the Remote Controller. When the line is superimposed on the reference line (green) to avoid blurring, the cross lines will become white.



- ① Have the Remote Controller face the Projector screen and press Key 1, 2, and 3 (Portion ① shown) for Static Convergence Adjustment sequentially in order, causing the cross pattern to be displayed.
- ② Press the following arrow keys (Portion ② shown) to make adjustments.
  - Cursor     ↑↓ ..... Causes the red horizontal line to match with the green horizontal line.
  - Cursor     →← ..... Causes the red vertical line to match with the green vertical line.
  - Adjustment   ↑↓ ..... Causes the Blue horizontal line to match with the green horizontal line.
  - Adjustment   →← ..... Causes the Blue vertical line to match with the green vertical line.
- ③ Press the CANCEL Key (Portion ③ shown) 5 times. This operation allows for returning to the original screen and at the same time storing the adjustment data.

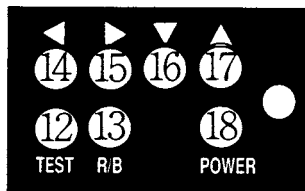
## 9 - 3 MITSUBISHI PROJECTOR

### □ MITSUBISHI PROJECTOR CONTROL PANEL

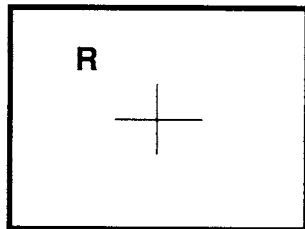


- |          |   |          |          |          |
|----------|---|----------|----------|----------|
| ① V.POS  | ② H.POS   | ③ R-GAIN | ④ G-GAIN | ⑤ B-GAIN |
| ⑥ CONT   | ⑦ BRI   | ⑧ V.W    | ⑨ H.W    |          |
| ⑩ R.H.L. | } Linearity adjustments in horizontal directions<br>(red or blue) are made. |          |          |          |
| ⑪ B.H.L. |   |          |          |          |

#### STATIC CONVERGENCE ADJUSTMENT



Convergence Adjustment SW



- |         |                      |
|---------|----------------------|
| ⑫ TEST  | Test mode on/off key |
| ⑬ R/B   | R/B key              |
| ⑭ ◀     | Left shift key       |
| ⑮ ▶     | Right shift key      |
| ⑯ ▼     | Lower shift key      |
| ⑰ ▲     | Upper shift key      |
| ⑱ POWER | Power button         |

- ① For the Convergence adjustment mode, press the test mode on/off key. ⑫
- ② Ensure that “R” is displayed on the screen.
- ③ Make adjustments so as to cause the red cross pattern to match with the green cross pattern by using Left shift key ⑭, Right shift key ⑮, Lower shift key ⑯, and Upper shift key ⑰.
- ④ By using R/B shift key ⑬, cause the red adjustment “R” to shift to blue adjustment “B” and make sure that “B” is displayed on the screen.
- ⑤ In the same manner as in ③ above, cause the blue cross pattern to match with the green cross pattern.
- ⑥ After making adjustment, press the test mode on/off key ⑫ to cancel the convergence adjustment mode.

## STATIC CONVERGENCE ADJUSTMENT METHOD WITH REMOTE CONTROL

- Although Remote Control Buttons other than those specified below do not function even if pressed during Convergence Adjustment, do not press them during adjustment work so as to avoid causing malfunctioning.
- Operate the Remote Control towards the PTV screen. If directed other than to the PTV screen, the Remote Control does not function.

### BEFORE USING REMOTE CONTROL:

First make sure that the main SW on the Projector's control panel is ON (the LED adjacent to the main SW is lit).

The Remote Control has 2 different types. Depending on the type, the Adjustment procedure is different.

In case of REMOTE CONTROL (Part No. 200-5298):

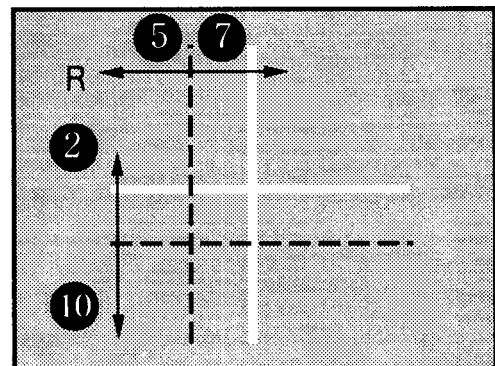
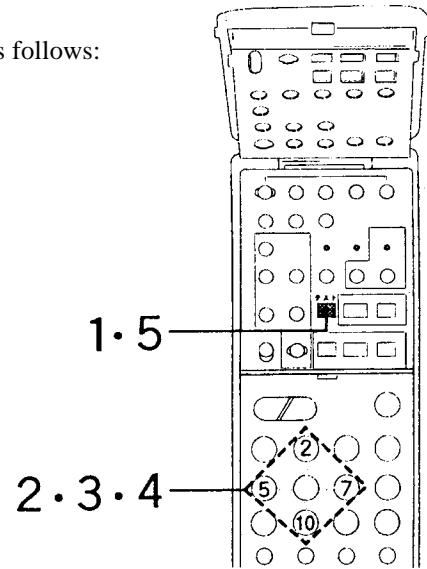
- ① For the Convergence Adjustment mode, press the test button. Ensure that "R" is displayed on the screen.
- ② Make adjustment so as to cause the red cross pattern to match with the green cross pattern. When the red cross matches the green cross, the green cross turns yellow or white.

Use remote control buttons shown below to move the red cross as follows:

- Button
- ⑤ ————— to the left
  - ⑦ ————— to the right
  - ② ————— Upward
  - ⑩ ————— Downward

- ③ Use Remote Control button ⑥ to shift "R" to "B". Make sure that "B" is displayed on the screen. Each time Button ⑥ is pressed, red and blue adjustments are shifted.
- ④ In the same manner as in ② above, cause the blue cross to match the green cross. When the blue cross matches the green cross, the green cross turns white.
- ⑤ After adjustment is made, press the test button to cancel the Convergence Adjustment mode.

\*When 2 minutes or more elapses in the Convergence mode screen without taking any action, the on-screen adjustment mode will disappear.



# 10. REPLACEMENT OF FLUORESCENT LAMP AND LAMPS



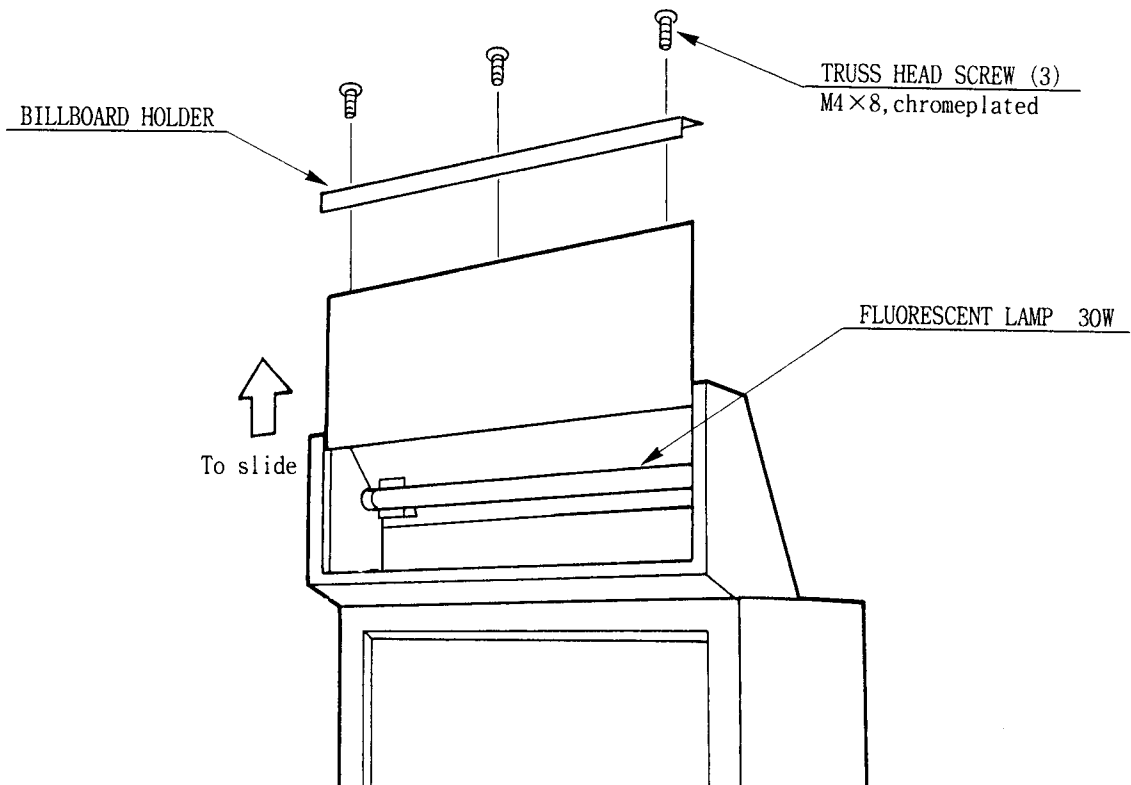
● When performing the work, be sure to turn power off. Working with power on can cause an electric shock or short circuit accident.  
 ● The Fluorescent Lamp, when it gets hot, can cause burns. Be very careful when replacing the Fluorescent Lamp.



To perform work safely and securely, be sure to prepare a step which is in a secure and stable condition. Not using a step or using an unstable step can cause a violent falling down accident.

## 10 - 1 REPLACING THE FLUORESCENT BULB

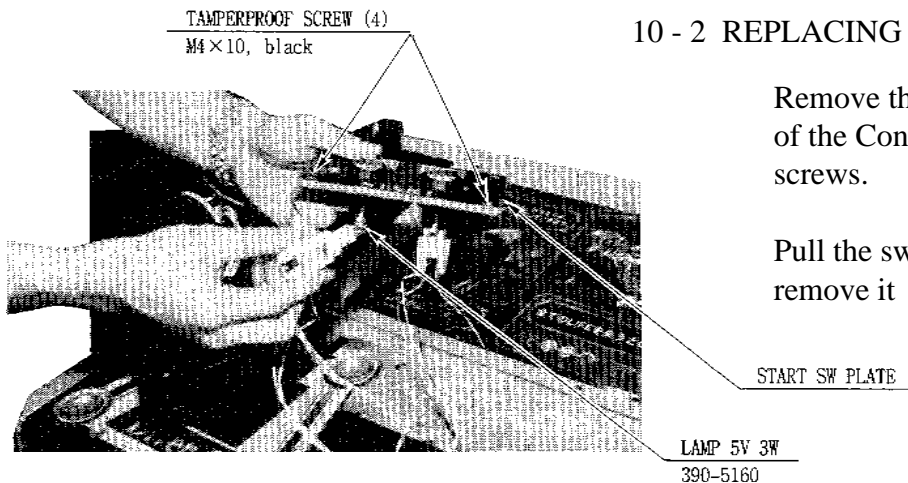
Remove the Billboard Holder and pull out the Billboard to replace the Fluorescent Lamp, and Lamps.



## 10 - 2 REPLACING THE LAMPS

Remove the START SW PLATE on top of the Control Panel by taking off the 4 screws.

Pull the switch portion and pull to remove it



## 11. PERIODIC INSPECTION TABLE

The items listed below require periodic check and maintenance to retain the performance of this machine and ensure safe operation.

When handling the controller, the player will be in direct contact with it. In order to always allow the player to enjoy the game, be sure to clean it regularly.



- Be sure to check once a year to see if Power Cords are damaged, the plug is securely inserted, dust is accumulated between the Socket Outlet and the Power Plug, etc. Using the product with dust as is accumulated can cause a fire or electrical shock.
- Periodically once a year, request the place of contact herein stated or the Distributer, etc. where the product was purchased from, as regards the interior cleaning. Using the product with dust as is accumulated in the interior without cleaning can cause a fire or accident. Note that cleaning the interior parts can be performed on a pay-basis.

ITEMS	DESCRIPTION	PERIOD	REFERENCE
CONTROL MECHA	Check Volume Value and SW		as required
	Grease to gear portion	Weekly	6
	Check Adj. Gear engagement	Monthly	6
COIN SELECTOR	Check COIN SW	Monthly	6
	COIN SELECTOR cleaning	Trimonthly	8
PROJECTOR	SCREEN cleaning	Weekly	9
	Check adjustments	Monthly	3, 6, 9
GAME BD	Setting check	monthly	6
INTERIOR	Cleaning	Annually	see above.
POWER PLUG	Inspection and cleaning		
CABINET SURFACE	Cleaning	As necessary	see below
CABINET	Ensure that adjusters are in contact with the floor	As necessary	3

### CLEANING CABINET SURFACES

When the cabinet surfaces are badly soiled, remove stains with a soft cloth dipped in water or diluted (with water) chemical detergent and squeezed dry. To avoid damaging surface finish, do not use such solvents as thinner, benzine, etc. other than ethyl alcohol, or abrasives, bleaching agent and chemical dustcloth.

## 12. TROUBLESHOOTING

Should trouble occur, first check connector connections.

PROBLEMS	CAUSE	COUNTERMEASURES
With Main SW ON, no activation	Power is not supplied.  Power supply/voltage is not correct.  AC main fuse causes the power to be cut off due to momentary overload.	Plug in correctly  Make sure that power supply/voltage is  Check fuse. Remove the cause of overload and replace fuse
Irregular sound is emitted from the inside Rear Base.	Poor mesh of mechanism gear inside Rear Base  Greasing to gear mesh portion is not satisfactory, or extraneous matter mixed in.	Adjust gear mesh  Apply greasing or eliminate extraneous matter.
During game , no bike body reaction and irregular functioning. Game start does not unlock bike.	POWER ON check is not satisfactory  Poor connection or malfunctioning of Motor driver and Drive BD  Overheat of Motor	1> Redo power input and complete POWER 2> Perform drive BD test.  3> Check for connection between motor Motor driver, Driver Bd and Game BD. 4.> Wait a while turn power back on.
The color of the image on PROJ. screen is incorrect.	Connector connections are defective.	Check the connection for the RGB and SYNC connectors of the PROJ. TERM. BD and VPM BUFFER BD.
The image on PROJ. screen has color deviation.	Affected by the magnetic field of installation location.	Make CONVERGENCE adjustment. (Refer to Section 9.)
No sound is emitted.	Sound Volume adjustment is not appropriate.  Sound BD and speaker are malfunctioning.	Adjust sound volume. (see Section 6).  Perform sound test to find and replace defective parts.(Refer to Section 6).
HANDLE MECHA and Bike Body not functioning correctly	V.R. deviation or malfunctioning Poor mesh of Adjust Gear Spring Fault in throttle /brake	Perform V.R. setting Adjust or replace V.R. Replace the Spring
The Fluorescent lamp does not light up.	The Fluorescent tube is burnt out.	Replace the Fluorescent tube (Refer to Section 10).
Bike Body is not locked.	Wing Bolts for maintenance are not removed.	Remove the Wing bolts.
Bike body centering incorrect.	V.R. setting fault V.R. deviation or malfunctioning.	Perform V.R. setting Adjust or replace V.R.



## 13. GAME BOARD



WARNING!

- In order to prevent an electrical shock, be sure to turn power off before performing work by touching the interior parts of the product.
- Be careful so as not to damage wirings. Damaged wiring can cause an electric shock or short circuit accident.



CAUTION!

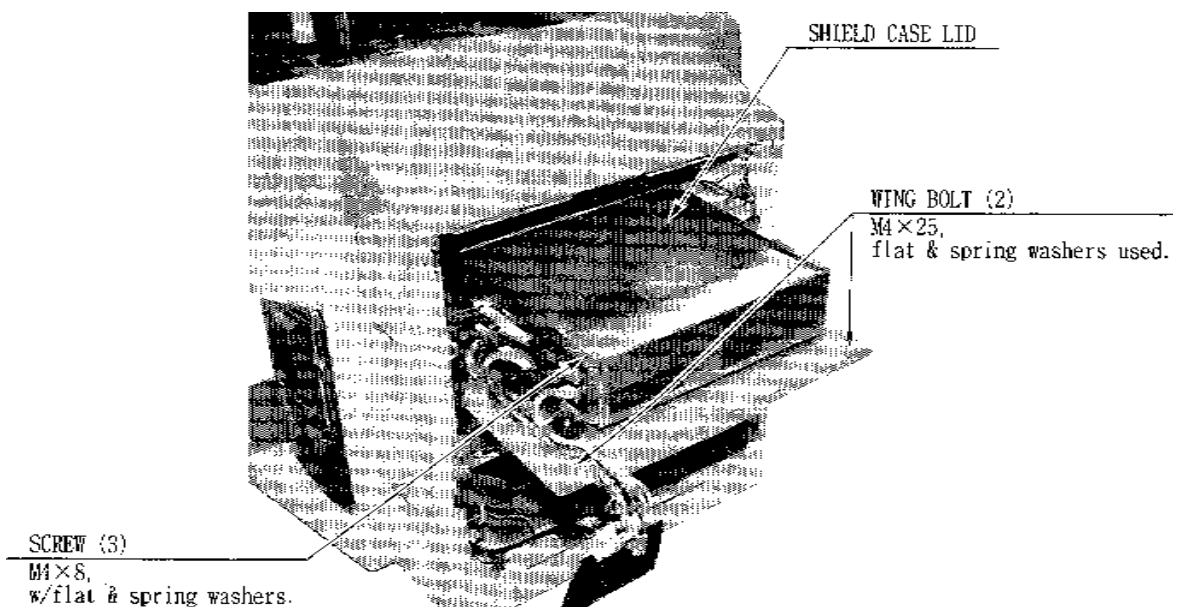
Do not expose the Game BD, etc. without a good reason. In this product, setting changes are made during the test mode. The Game BD need not be operated. Use the Game BD, etc. as is with the same setting made at the time of shipment. The electronic parts on the IC Board could be damaged due to human static electricity.

### 13 - 1 GAME BOARD

- ① When replacing or inspecting the Game BD, take out the Game BD by using the following procedure:
- ② Turn the AC unit's Main SW OFF.
- ③ Remove the 2 Truss screws (black) from the upper face of the Front Cabinet, unlock with the Master Key to open the Service Lid.
- ④ Take out the 2 screws shown to remove a total of 6 connectors.

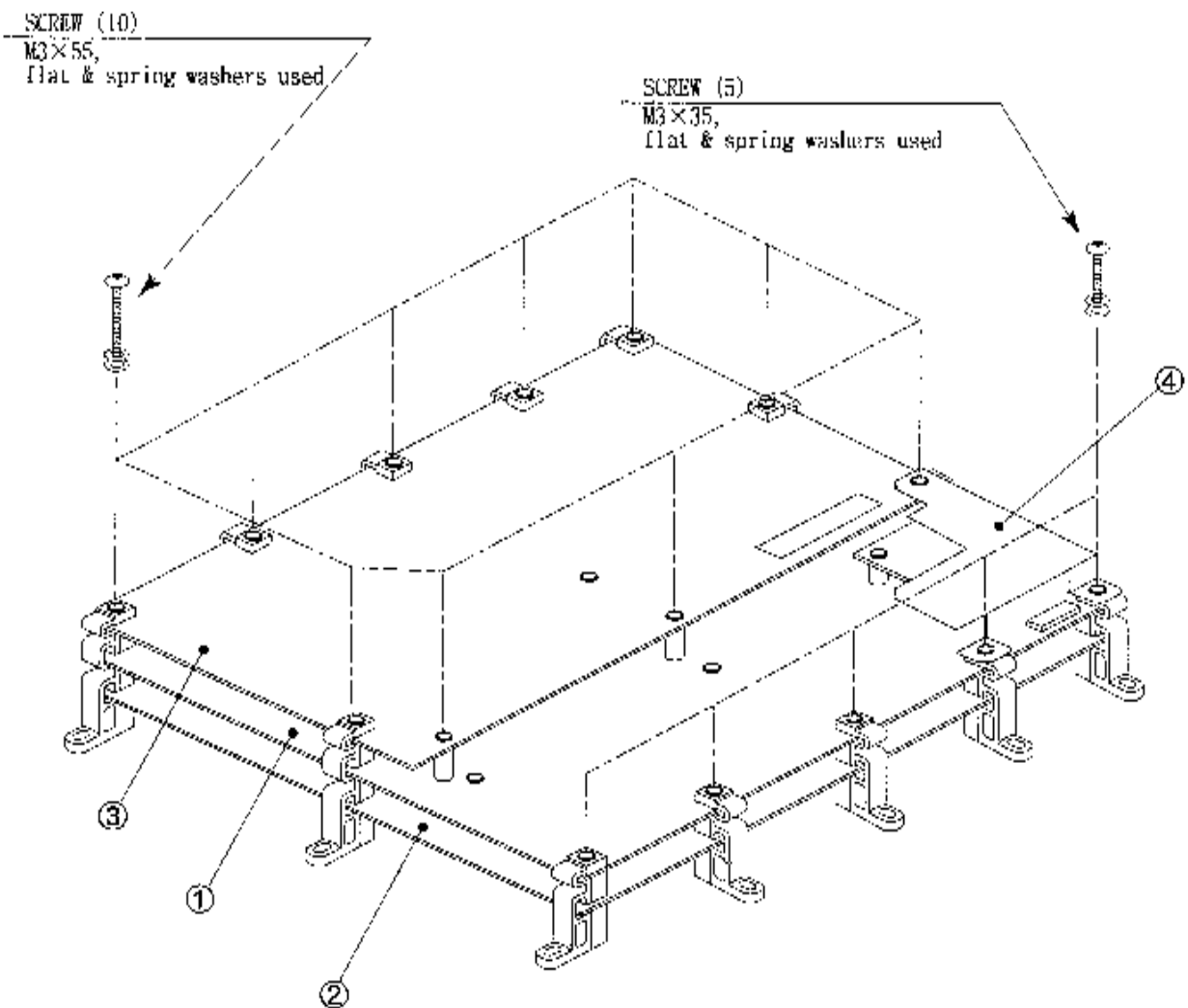
Hold the catch of the Shield case Base and pull out upward.

- ⑤ Take out the 3 screws to remove the Case Lid from the Shield Case. The Game Board can be viewed.



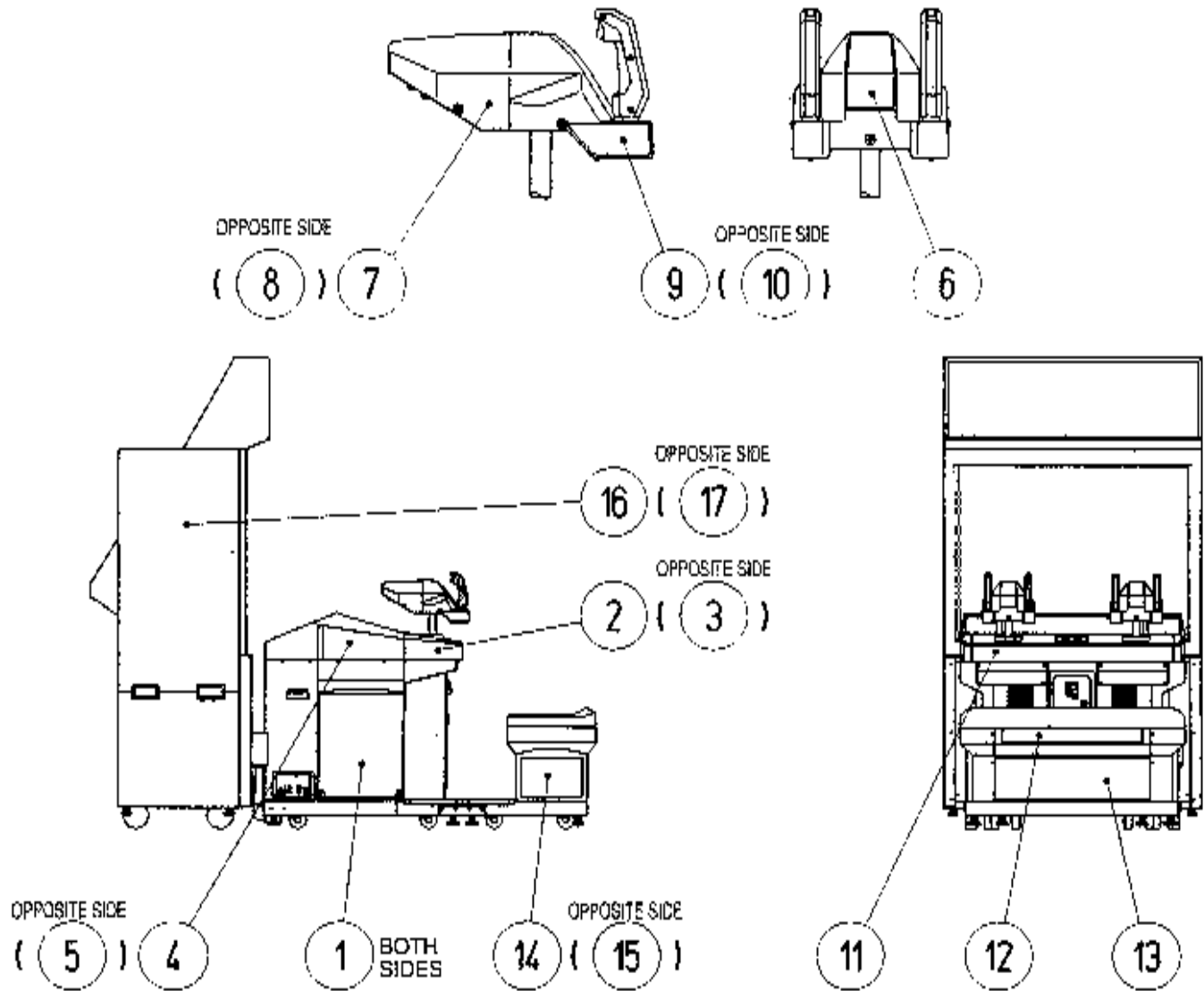
## 13 - 2 COMPOSITION OF GAME BOARD

### GAME BD OCEAN HUNTER (833-13571)



No.	PART No.	DESCRIPTION
1	837-12715-91	MODEL3 STEP2 CPU BOARD
2	837-13368	MODEL3 STEP2.1 VIDEO BD
3	834-13572	ROM BD THE OCEAN HUNTER
4	837-13576-COM	PFSB SEC BD OCN COM

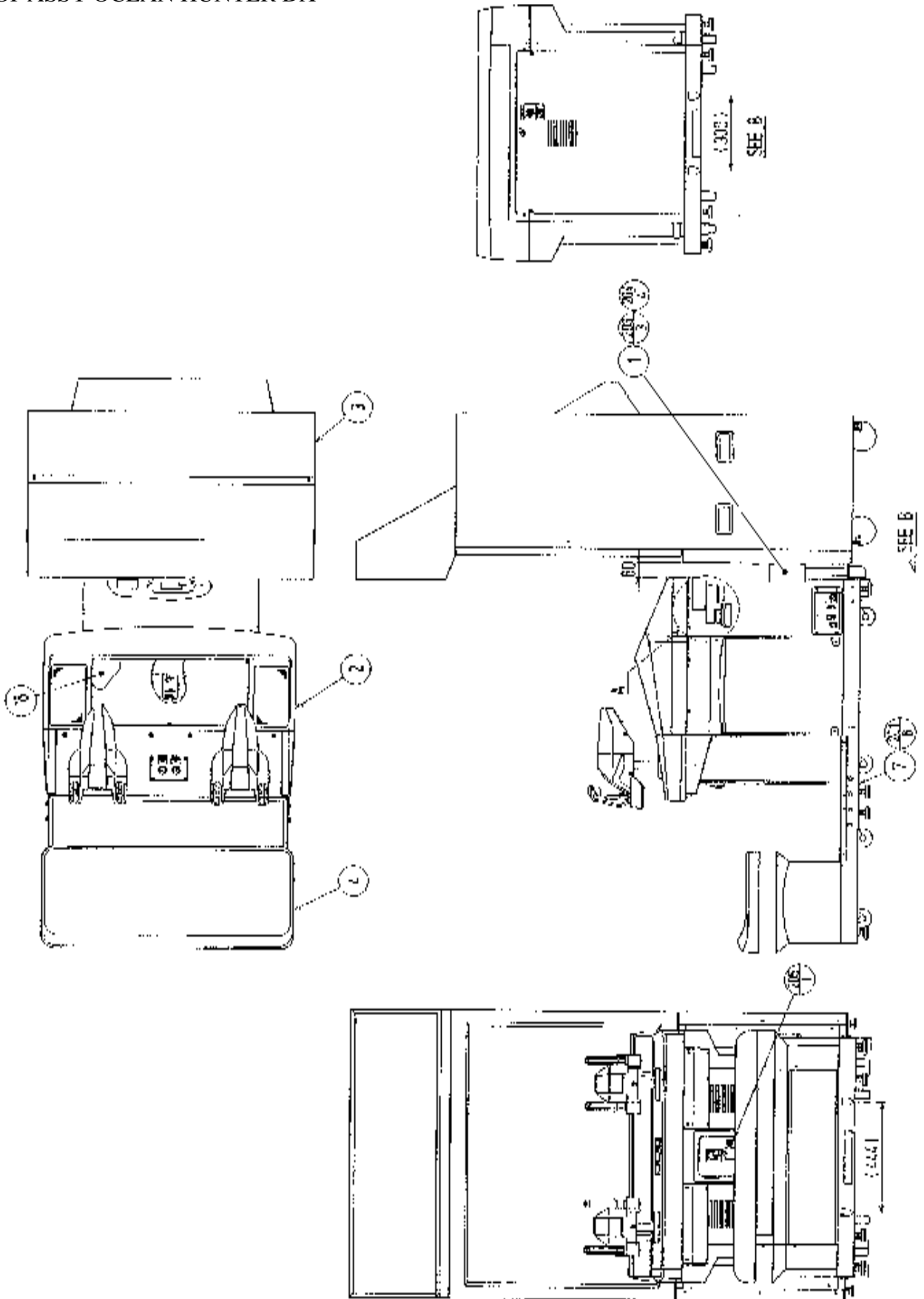
## 14. DESIGN RELATED PARTS



NO.	PART No.	DESCRIPTION
1	OCN-1003-A	STICKER SIDE COVER
2	OCN-1005-B	STICKER CP SIDE L
3	OCN-1006-B	STICKER CP SIDE R
4	OCN-1046-B	STICKER SIDE L
5	OCN-1046-C	STICKER SIDE R
6	OCN-2001-B	STICKER METER
7	OCN-2001-C	STICKER CNT COVER L
8	OCN-2001-D	STICKER CNT COVER R
9	OCN-2001-E	STICKER COVER LOWER L
10	OCN-2001-F	STICKER COVER LOWER R
11	OCN-2002-B	CNT PNL SHEET OCN
12	OCN-3001-B	STICKER SEAT UPPER
13	OCN-3001-C	STICKER SEAT LOWER
14	OCN-3003-A	STICKER SEAT SIDE L
15	OCN-3004-A	STICKER SEAT SIDE R
16	421-9975	STICKER PTV SIDE L
17	421-9976	STICKER PTV SIDE R
18	422-0700-01	PLAY INSTR SH OCN DX ENG

# 15. PARTS LIST

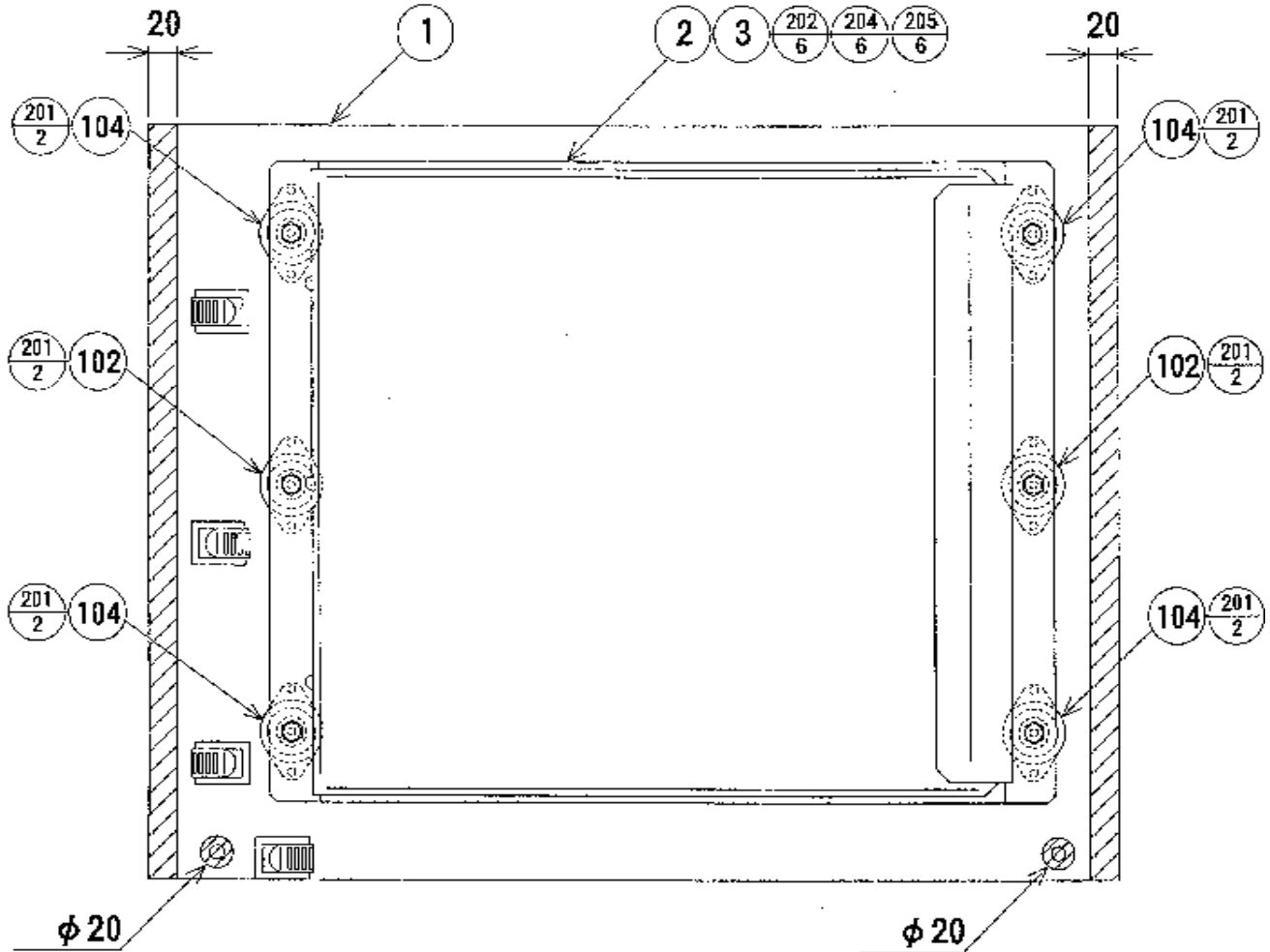
TOP ASSY OCEAN HUNTER DX



TOP ASSY OCEAN HUNTER DX

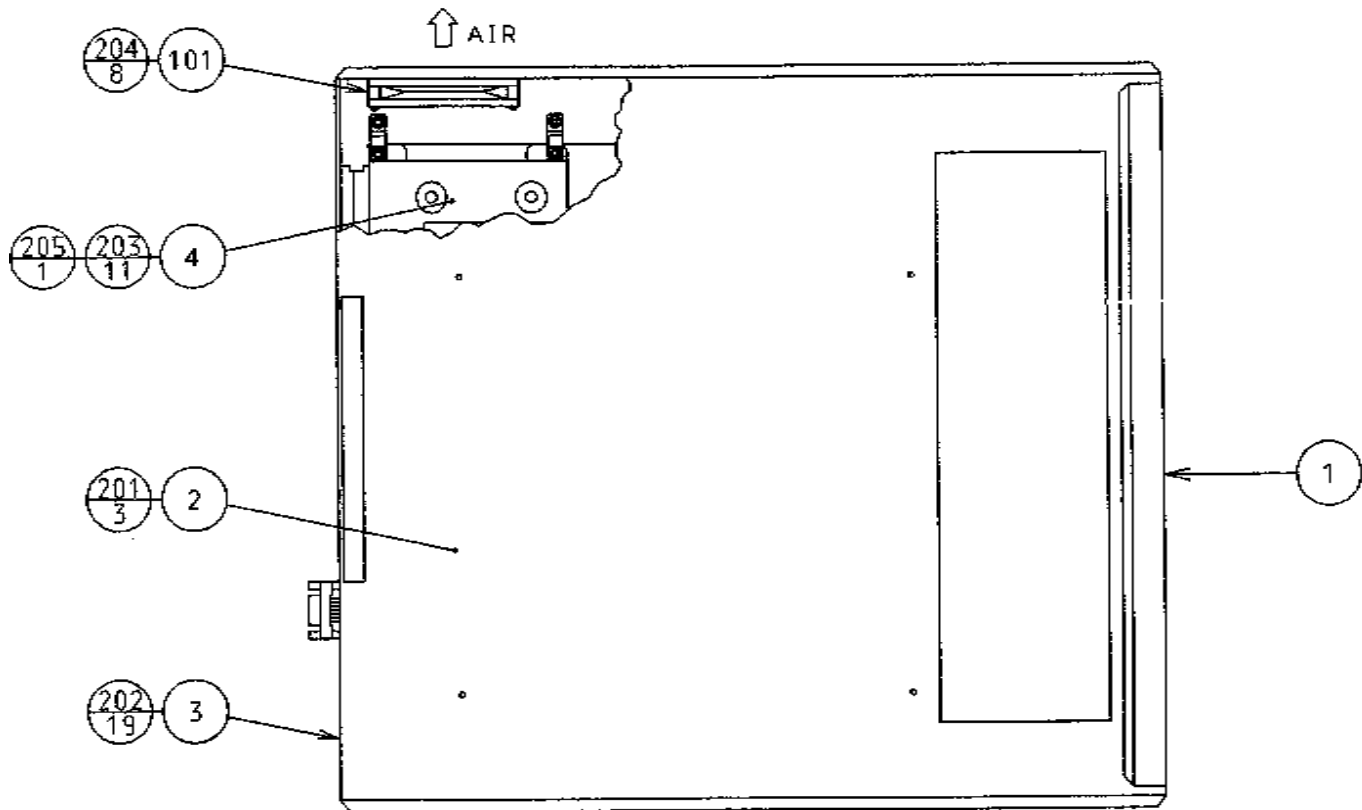
ITEM NO.	PART NO.	DESCRIPTION
1	OCN-0300	ASSY TUBE
2	OCN-1000	ASSY CTRL CABI
3	OCN-1100	ASSY PTV
4	OCN-3000	ASSY SEAT&BASE
7	MGL-0001	JOINT BRKT
18	422-0700-01	PLAY INSTR SH OCN DX ENG
201	FAS-300001	HEX BLT CRM W/FS M8 × 20
203	000-P00408-WB	M SCR PH W/FS BLK M4 × 8
204	000-P00420-WB	M SCR PH W/FS BLK M4 × 20
205	008-T00412-0B	TMP PRF SCR TH BLK M4 × 12

ASSY MAIN BD (OCN-0100)



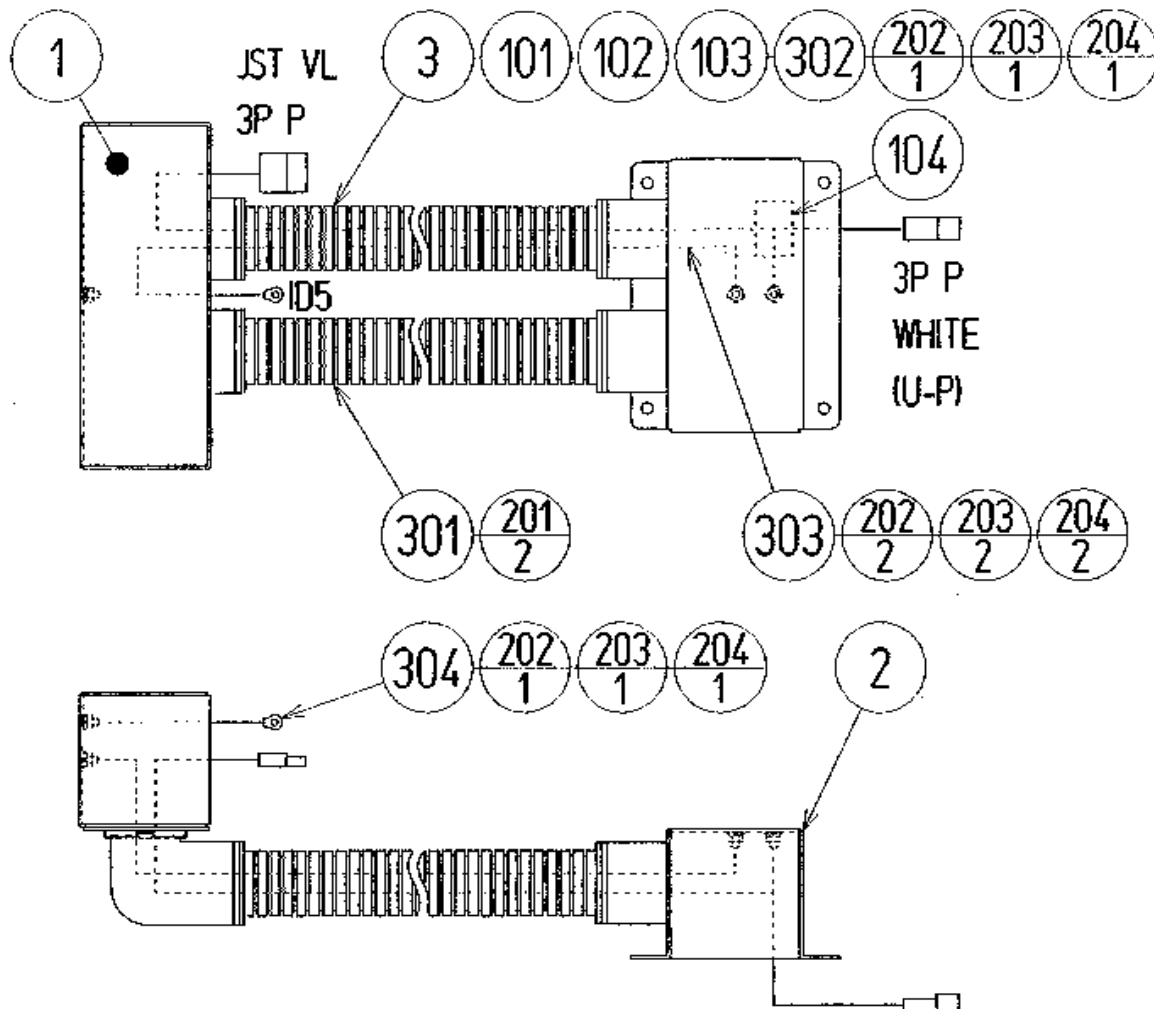
ITEM NO.	PART NO.	DESCRIPTION
1	OCN-0101	WOODEN BASE MAIN BD
2	OCN-0150	ASSY SHIELD CASE
3	OCN-0102	SHIELD CASE BRKT
102	601-6848	RUBBER DUMPER
104	601-8148	RUBBER DUMPER NR
201	000-P00416-W	M SCR PH W/FS M4 × 16
202	000-P00408-W	M SCR PH W/FS M4 × 8
204	030-000616-S	HEX BLT W/S M6 × 16
205	060-F00600	FLT WSHR M6

ASSY SHIELD CASE (OCN-0150)



ITEM NO.	PART NO.	DESCRIPTION
1	105-5240Y	SHIELD CASE MODEL3
2	105-5242X	SHIELD CASE LID MODEL3
3	839-0951	FILTER BD MODEL3 JPT
4	833-13571	GAME BD THE OCEAN HUNTER
101	260-0064	FAN MOTOR DC12V
201	000-P00408-W	M SCR PH W/FS M4 × 8
202	010-P00308-F	S-TITE SCR PH W/F M3 × 8
203	010-P00310-F	S-TITE SCR PH W/F M3 × 10
204	000-P00320-W	M SCR PH W/FS M3 × 20
205	010-P00365-F	S-TITE SCR PH W/F M3 × 65

ASSY TUBE (OCN-0300)

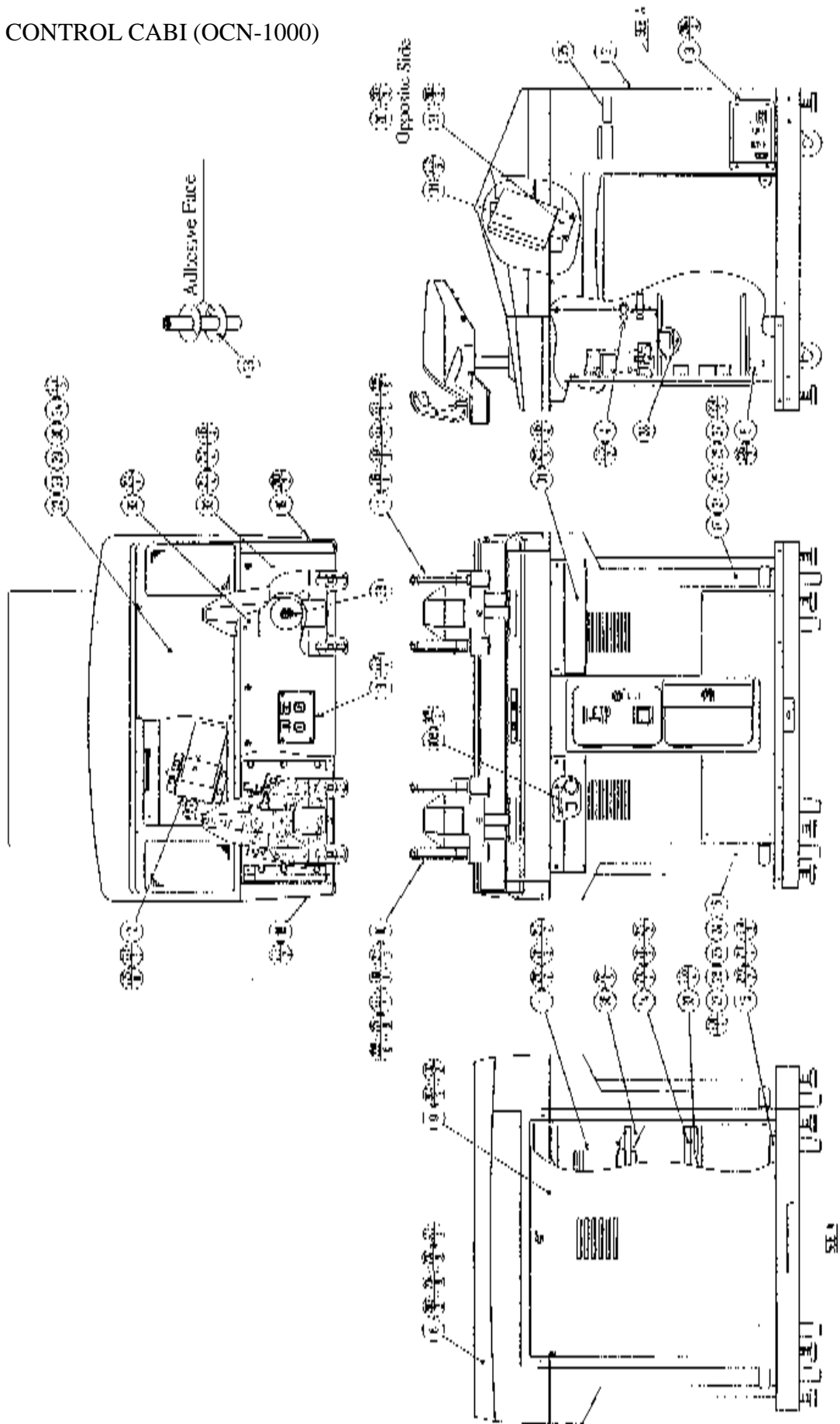


ITEM NO.	PART NO.	DESCRIPTION
1	OCN-0301	TUBE BOX
2	DUT-0102	TUBE BOX FRONT
3	601-10360-29	STOPPER RING 29
101	310-5285-290070	*FLEX TUBE 29-0070CM
102	310-5286-29	CONN 29
103	310-5287-29	CONN L 29
201	000-P00408-WB	M SCR PH W/FS BLK M4 × 8
202	050-H00400	HEX NUT M4
203	060-S00400	SPR WSHR M4
204	060-F00400	FLT WSHR M4

\* THIS PART MAY DIFFER FROM THE ONE CALLED OUT ABOVE



ASSY CONTROL CABI (OCN-1000)



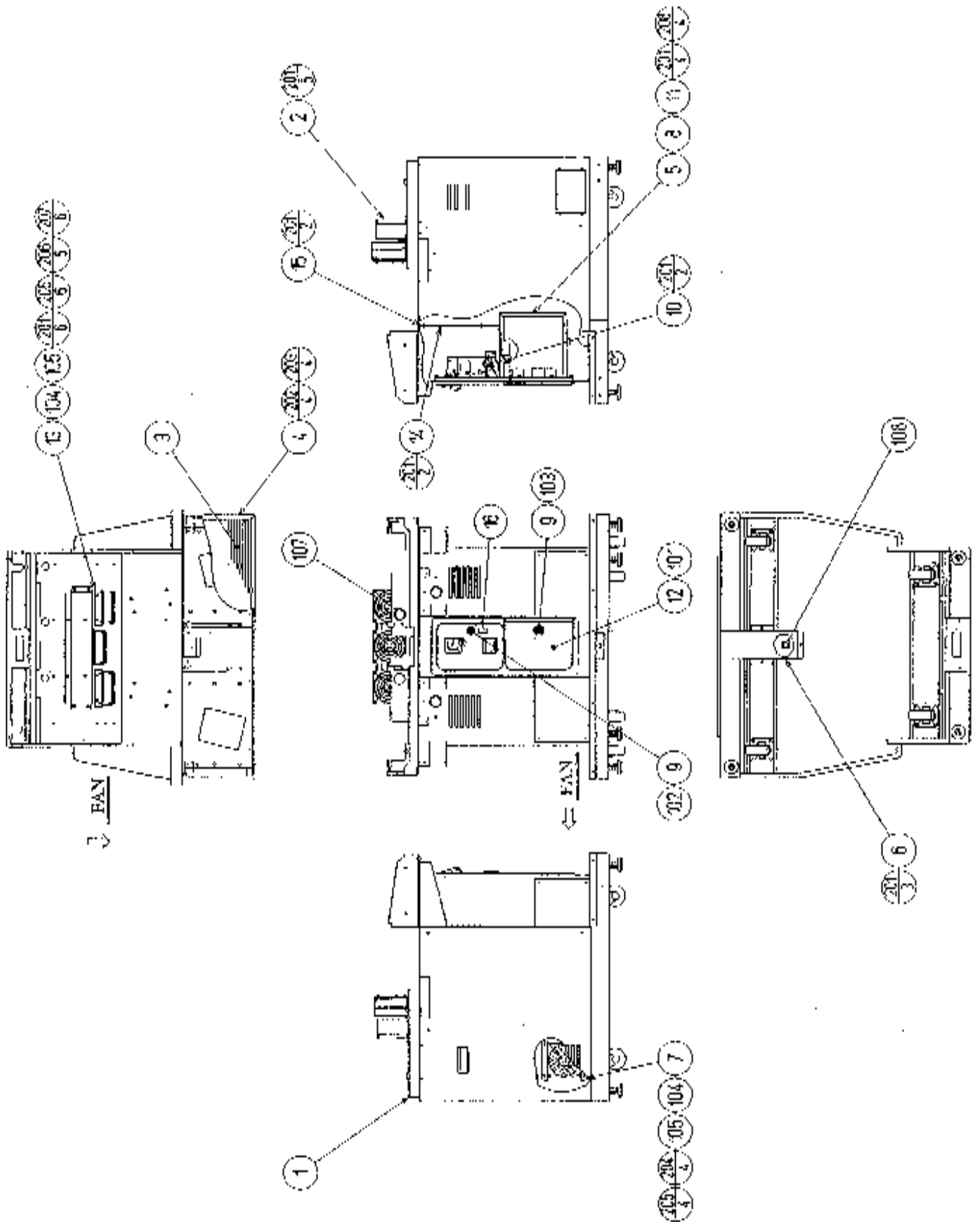
# ASSY CONTROL CABI (OCN-1000)

ITEM NO.	PART NO.	DESCRIPTION
1	OCN 0100	ASSY MAIN BD
2	OCN-1001	ASSY SUBCABI CTRL
3	OCN 1030	AC UNIT
4	OCN-1035	SW UNIT
5	OCN-1040-01	METER UNIT TWIN
6	OCN-1045	ASSY TOP PANEL
7	OCN-1050	ASSY WIRE L
8	OCN-1055	ASSY WIRE R
9	OCN-1060	ASSY BACK LID
10	OCN-2050	ASSY CONTROL MECHA L
11	OCN-2070	ASSY CONTROL MECHA R
12	OCN-2100	ASSY CLUTCH MOTOR
13	OCN-2200	ASSY START SWITCH
14	OCN-4000	ASSY PWR SPLY
15	OCN-4100	ASSY ELEC
16	OCN-1003	SIDE COVER L
17	OCN-1004	SIDE COVER R
18	OCN-1005	CP SIDE COVER L
19	OCN-1006	CP SIDE COVER R
20	MGL 1008	SPEAKER HOLDER L
21	MGL-1009	SPEAKER HOLDER R
22	OCN 1007	INSTR BASE
23	MGL-1016	INSTR COVER
24	MGL 1023	SHOULDER BLT
25	MGL-1024	HOLDER BUTTON
26	MGL-1025X	BUSH
27	MGL-1026	FLT WSHR 5.2-11 × 2.0
28	253-5366	CASH BOX
29	COP-1213	WATER GUARD A
30	COP-1214	WATER GUARD B
31	OCN 1008	PANEL LID LOWER
32	OCN-2002	CNT PNL BASE
33	OCN 2003	CNT PNL LID
34	OCN-1018	INSULATOR SHEET
36	MGL-1011	BD BASE BRKT UPPER
37	MGL-1012	BD BASE BRKT LOWER
38	OCN-2558	RING PLATE
101	130-5096	ASSY SERVO SPEAKER BOX
106	280-0419	HARNES LUG
201	000-T00512-0C	M SCR TH CRM M5 × 12
202	000 T00525 0C	M SCR TH CRM M5 × 25
203	000-P00512-W	M SCR PH W/FS M5 × 12
204	000-T00416-0C	M SCR TH CRM M4 × 16
205	000-P00408-W	M SCR PH W/FS M4 × 8
207	068-441616-0C	FLT WSHR CRM 4.4-16 × 1.6
208	050-F00400	FLG NUT M4
209	008-T00416-0C	TMP PRF SCR TH CRM M4 × 16
210	032-000425	WING BLT M4 × 25

ASSY CONTROL CABI (OCN-1000)

ITEM NO.	PART NO.	DESCRIPTION
211	068-441616	FLT WSHR 4.4-16 × 1.6
213	000-P00408-WB	M SCR PH W/FS BLK M4 × 8
214	000-T00408-OB	M SCR TH BLK M4 × 8
215	068-441616-OB	FLT WSHR BLK 4.4-16 × 1.6
219	060-S00400	SPR WSHR M4
220	060-F00400	FLT WSHR M4
221	030-000612-S	HEX BLT W/S M6 × 12
222	020-000412-OZ	HEX SKT H CAP SCR BLK OZ M4 × 12
223	008-T00410-OC	TMP PRF SCR TH CRM M4 × 10
224	030-000820-S	HEX BLT W/S M8 × 20
225	060-F00800	FLT WSHR M8

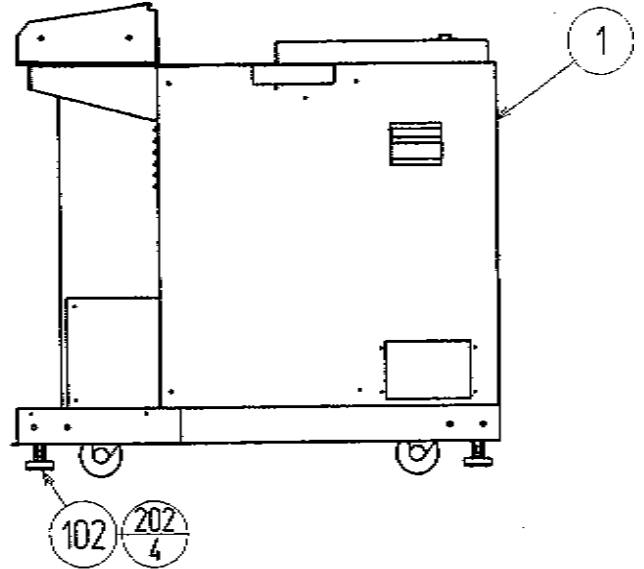
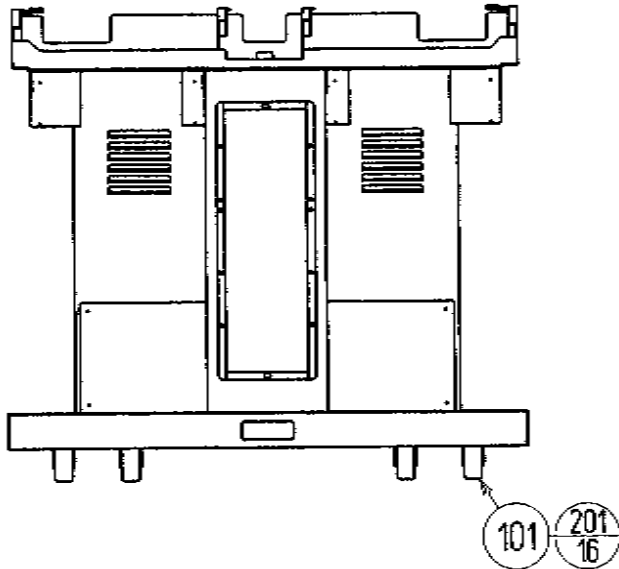
ASSY SUBCABI CTRL (OCN-1001)



ASSY SUBCABI CTRL (OCN-1001)

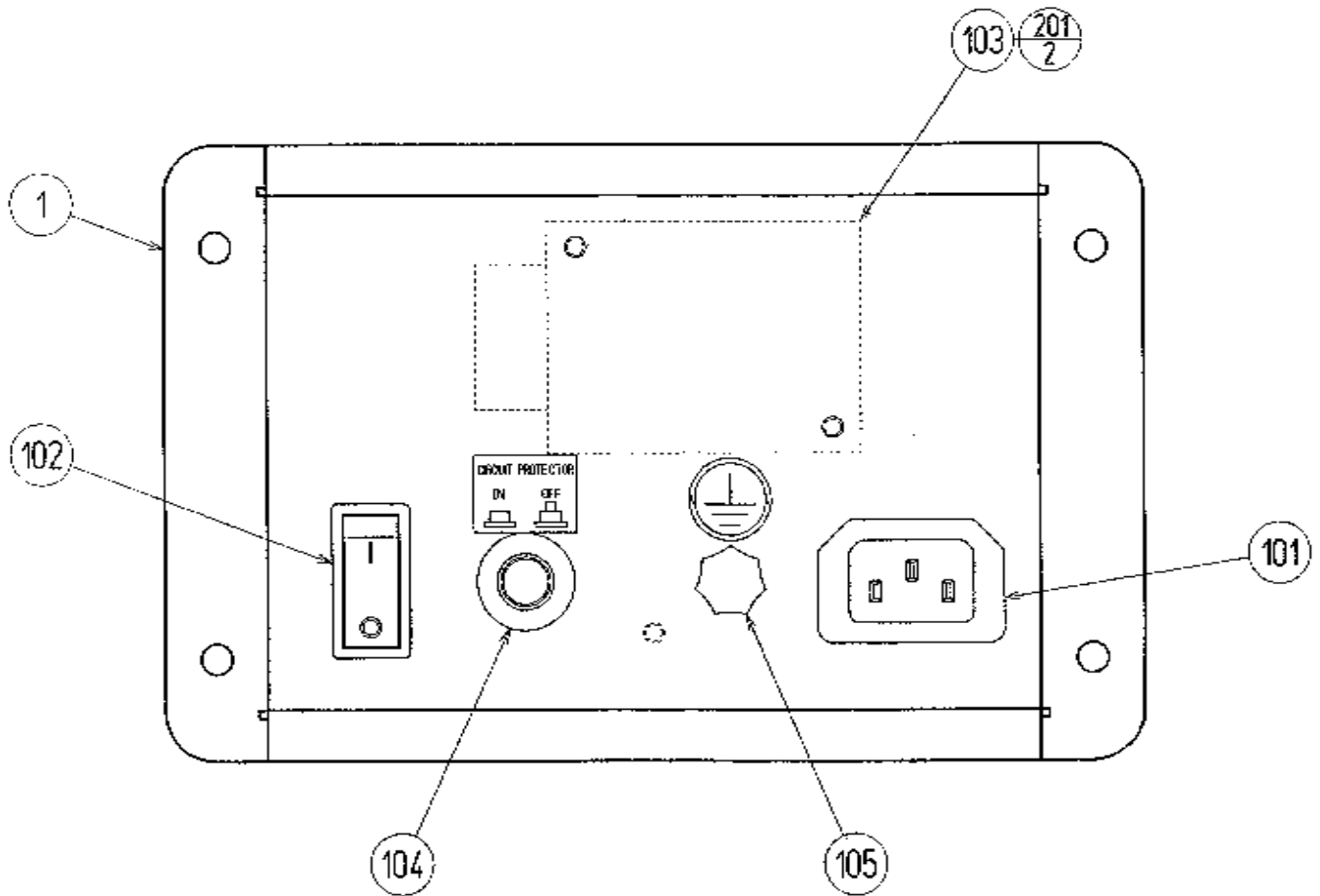
ITEM NO.	PART NO.	DESCRIPTION
1	OCN-1002	CTRL CABI
2	MGL-1022	TOP SPACER
3	MGL-1013	FLOOR MAT CTRL
4	MGL-1014	EDGE GUARD
5	MGL-1017	CASH BOX COVER
6	MGL-1018X	WIRE COVER CTRL
7	HN-1042X	FAN BRKT
8	105-5107	CHUTE
9	DP-1167	TNG LKG
10	105-5170	LOCK BRACKET S
11	105-5188	HOLE COVER
13	BY-4102	FAN MOTOR BRACKET
14	OCN-1009	SW PANEL
15	OCN-1010	PANEL BRKT
101	220-5237-92- ~ 220-5482-91- ~	ASSY C.C 2DR ~ ASSY C.C 2DR ~
102	220-5575	CAM LOCK MASTER W/O KEY
103	220-5574	CAM LOCK W/KEYS
104	260-0011-02	AXIAL FLOW FAN AC100V 50-60HZ
105	601-8543	FAN GUARD
107	280-5172-15021	STANDARD BUSHING MP 15021
108	280-5187-26	OPEN LOCK BUSH 26
109	601-5526-084	BUSH 1.6T (L= 84MM)
201	000-P00408-W	M SCR PH W/FS M4 × 8
202	000-T00408-OC	M SCR TH CRM M4 × 8
203	000-F00308	M SCR FH M3 × 8
204	000-P00345-W	M SCR PH W/FS M3 × 45
205	050-F00400	FLG NUT M4
206	FAS-000029	M SCR PH W/FS M4 × 50
207	000-P00416-W	M SCR PH W/FS M4 × 16
208	000-P00406-W	M SCR PH W/FS M4 × 6

CTRL CABI (OCN-1002)



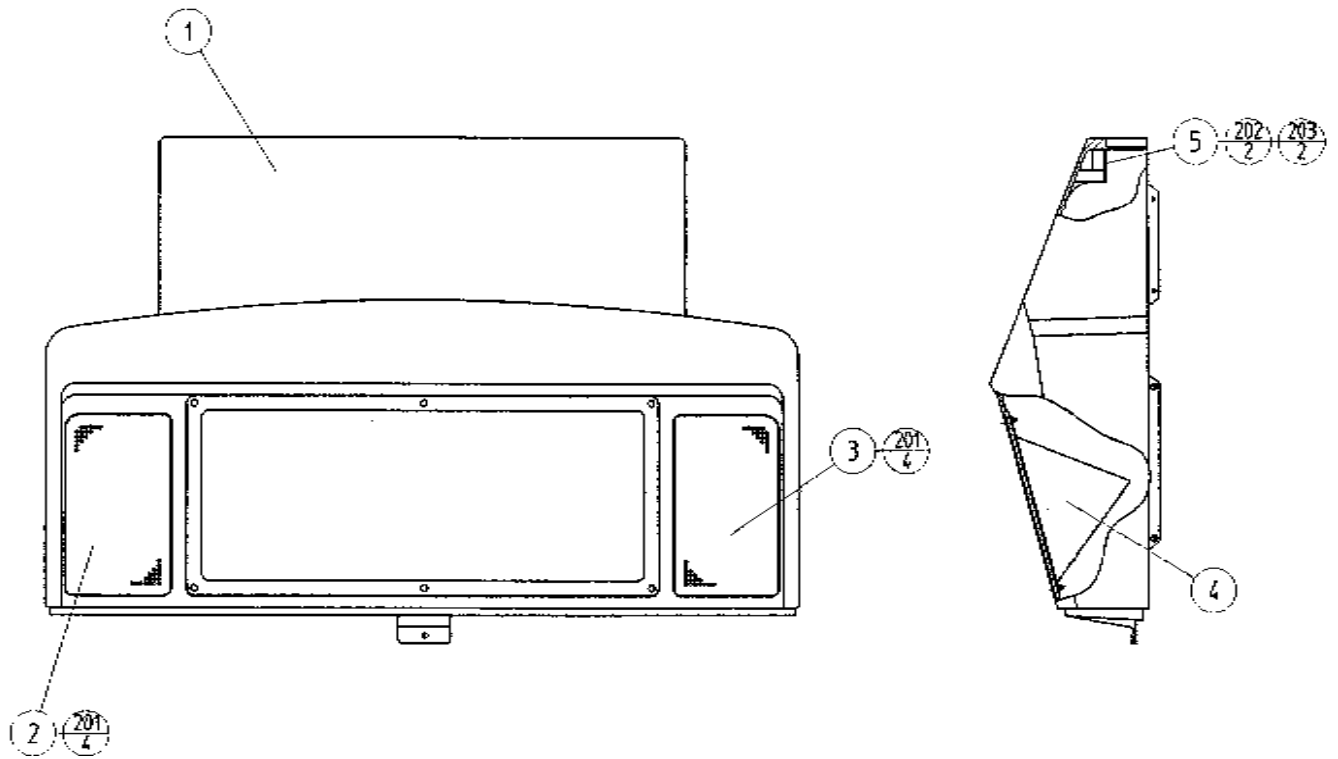
ITEM NO.	PART NO.	DESCRIPTION
1	OCN-1002-A	CTRL CABI BLANK
101	601-6224 601-9377	CASTER $\phi$ 75 CASTER FAI=75
102	601-6063	LEG ADJ 50
201	030-000620-S	HEX BLT W/S M6 $\times$ 20
202	050-H01200	HEX NUT M12

AC UNIT (OCN-1030)



ITEM NO.	PART NO.	DESCRIPTION
1	OCN-1031	AC BRKT
101	214-0202	AC INLET PANEL TYPE
102	509-5453-91-V-B	SW ROCKER J8 V-B
103	450-5135	MAGNET CONTACT S-NIOCX AC 120V
104	512-5046-10000	C.P 10000MA CE UL
	512-5046-5000	C.P 5000MA CE UL
105	280-0417	TERMINAL BINDING POST BLACK
201	000-P00416-W	M SCR PH W/FS M4 × 16

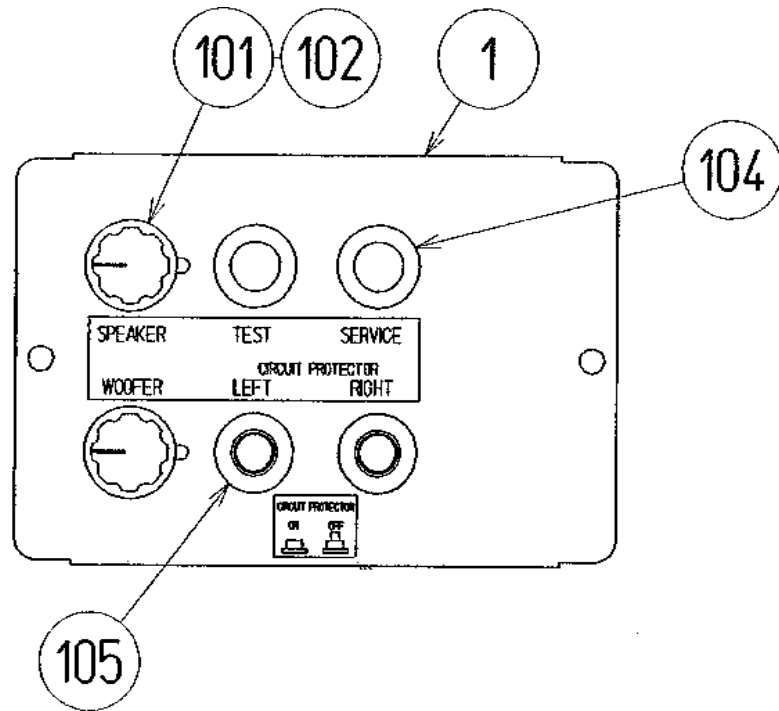
ASSY TOP PANEL (OCN-1045)



ITEM NO.	PART NO.	DESCRIPTION
1	OCN-1046	TOP PANEL
2	OCN-1047	SPEAKER NET L
3	OCN-1048	SPEAKER NET R
4	MGL-1053	DIFFUSER
5	MGL-1054	LOCK BRKT
201	050-F00400	FLG NUT M4
202	012-P00410	TAP SCR #2 PH 4 × 10
203	060-F00400	FLT WSHR M4

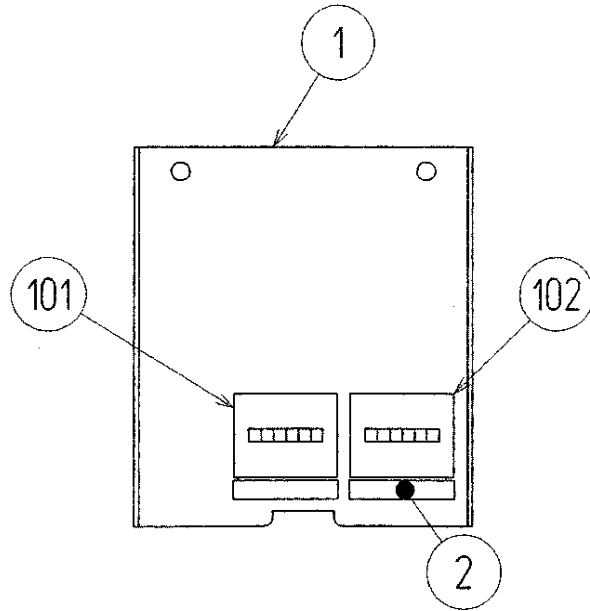


SW UNIT (OCN-1035)



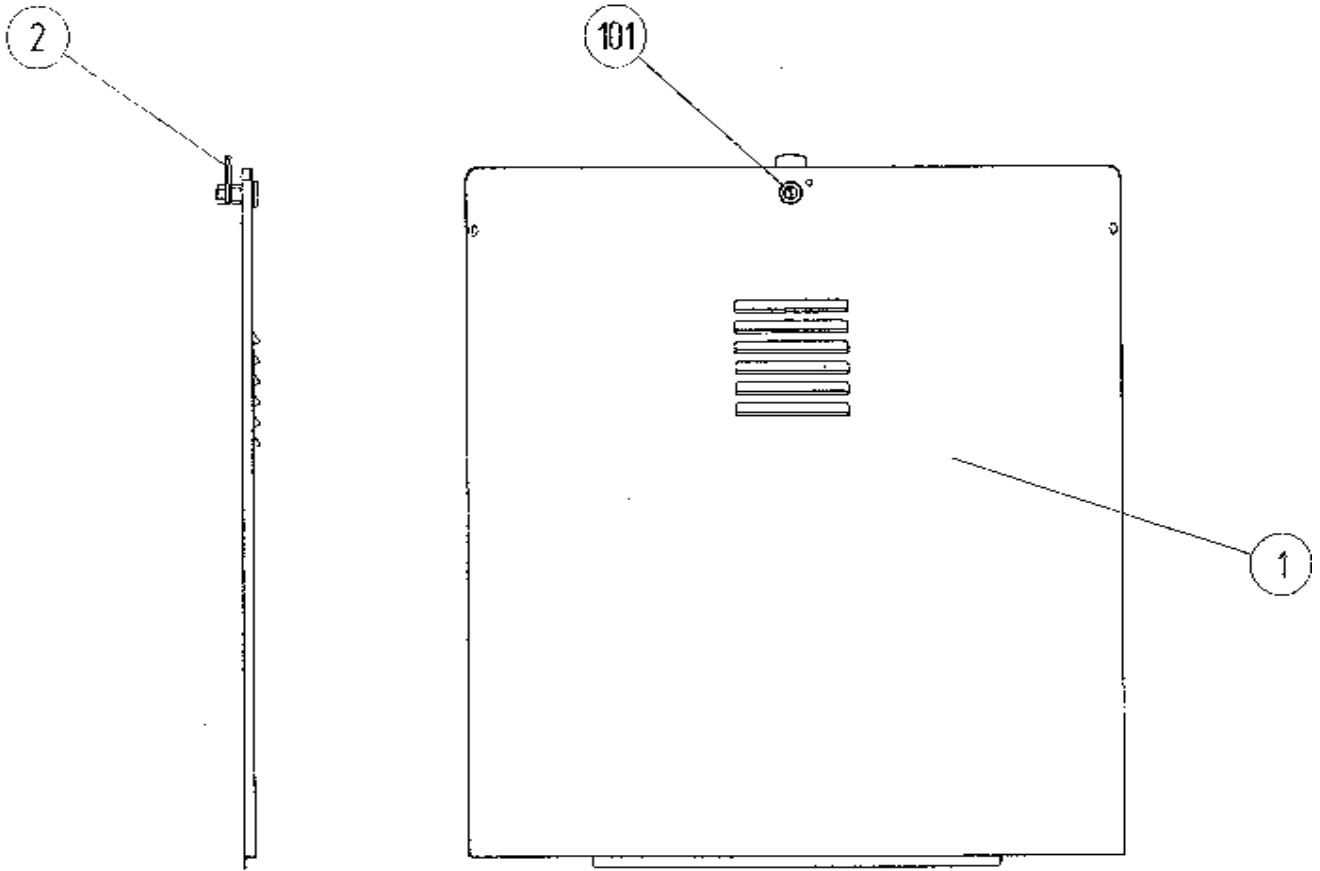
ITEM NO.	PART NO.	DESCRIPTION
1	OCN-1036	SW BRKT
101	220-5179	VOL CONT B-5K OHM
102	601-0042	KNOB 22 MM
104	509-5028	SW PB 1M (MIYAMA DS-412R)
105	512-5033-1000	CIRCUIT PROTECTOR 1000MA

ASSY METER UNIT (OCN-1040-01)



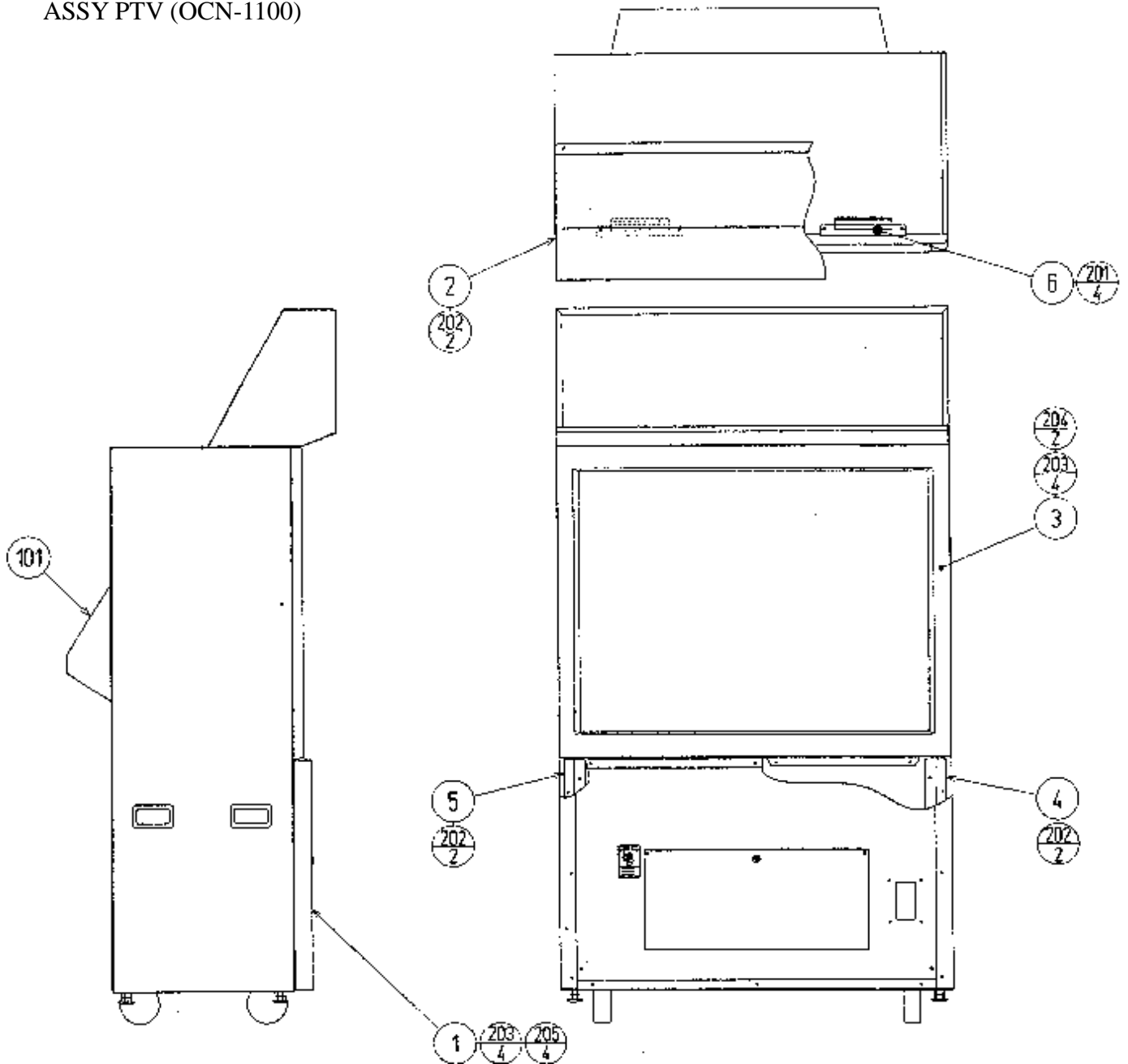
ITEM NO.	PART NO.	DESCRIPTION
1	OCN-1042	METER BRKT TWIN
2	421-6591-01	STICKER COIN METER
101	220-5643-01	MAG CNTR DC5V 6P WH MZ-674-D04
102	220-5643-02	MAG CNTR DC5V 6P YE MZ-674-D05

ASSY BACK LID (OCN-1060)



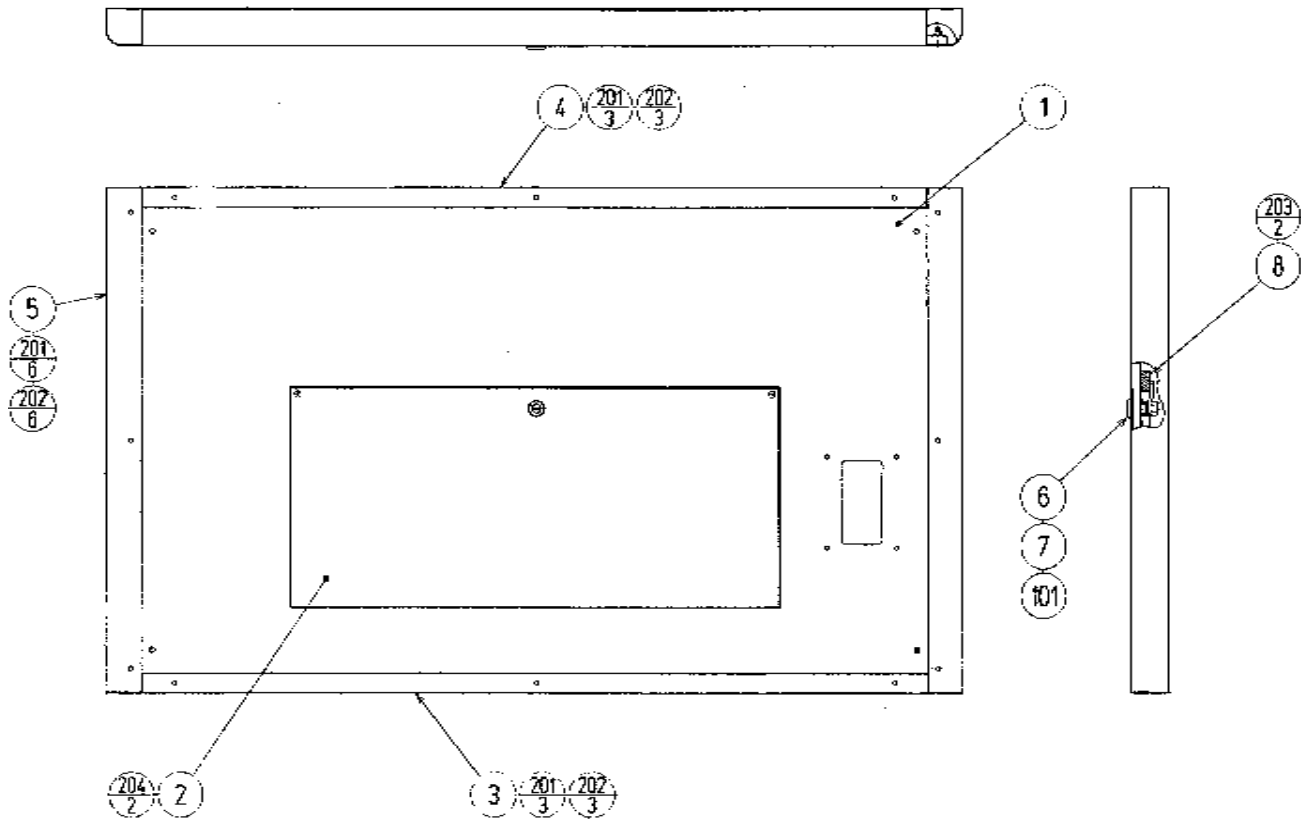
ITEM NO.	PART NO.	DESCRIPTION
1	OCN-1061	BACK LID
2	DP-1167	TNG LKG
101	220-5575	CAM LOCK MASTER W/O KEY

ASSY PTV (OCN-1100)



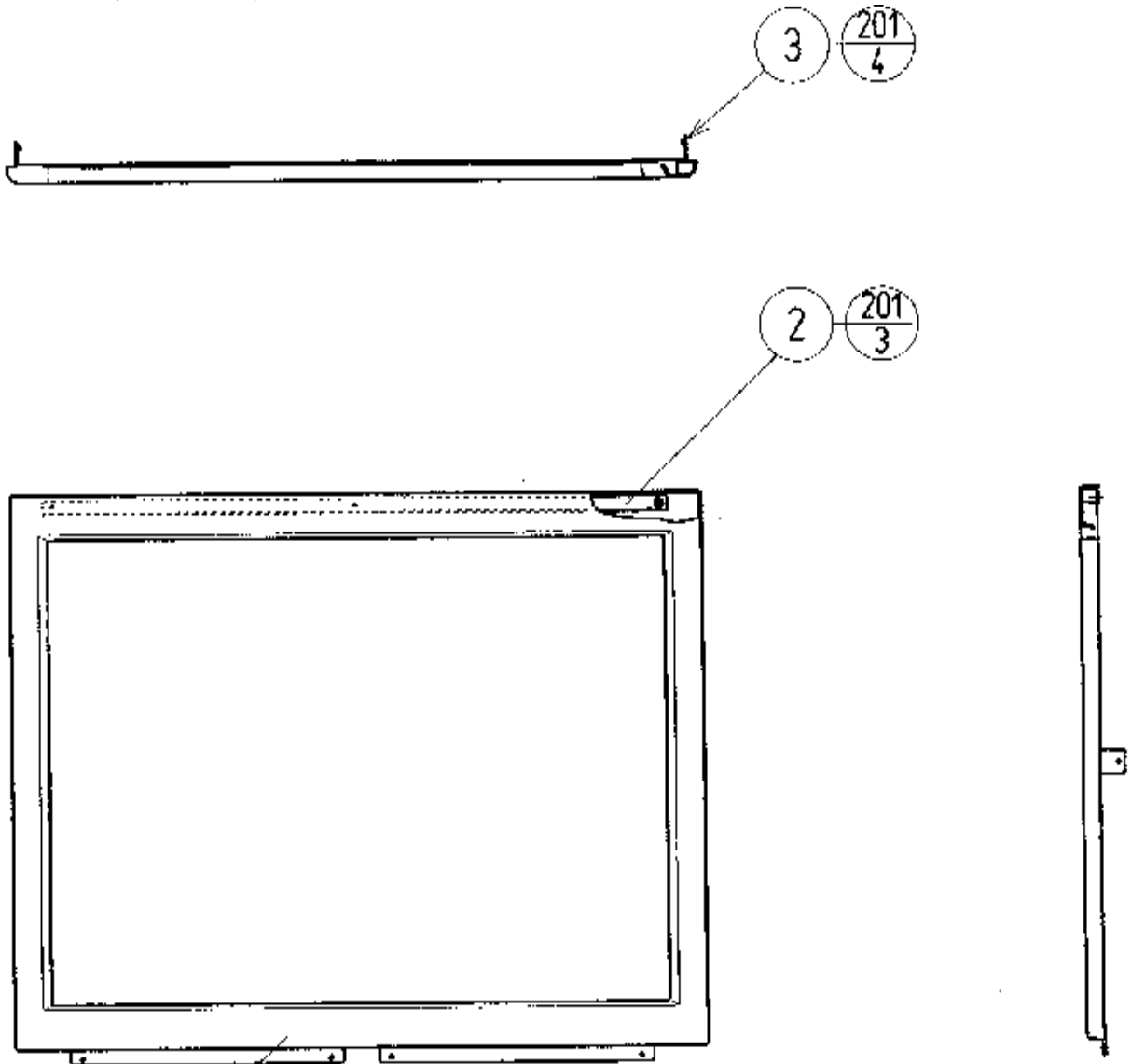
ITEM NO.	PART NO.	DESCRIPTION
1	OCN-1150	ASSY FRONT PANEL
2	OCN-1200	ASSY BILLBOARD
3	MGL-1150	ASSY MASK
4	DYN-0501	PANEL MOUNT BRKT L
5	DYN-0502	PANEL MOUNT BRKT R
6	RAL-0501	MASK HOLDER
101	200-5315-01-OCN	ASSY PROJECTION DISPLAY OCN
201	000-F00414	M SCR FH M4 × 14
202	000-P00516-WB	M SCR PH W/FS BLK M5 × 16
203	000-T00520-OC	M SCR TH CRM M5 × 20
204	000-T00525-OC	M SCR TH CRM M5 × 25
205	068-552016-OC	FLT WSHR CRM 5.5-20 × 1.6

ASSY FRONT PANEL (OCN-1150)



ITEM NO.	PART NO.	DESCRIPTION
1	OCN-1151	FRONT PANEL
2	OCN-1152	SERVICE DOOR
3	CPT-1205	BRKT LOWER
4	CPT-1204	BRKT UPPER
5	CPT-1203	SIDE BRKT
6	DP-1148X	LKG TNG
7	117-0062	PLATE LOCK RETAINER
8	117-5098	TNG RETAINER PLATE
101	220-5575	CAM LOCK MASTER W/O KEY
201	068-552016	FLT WSHR 5.5-20 × 1.6
202	050-F00500	FLG NUT M5
203	011-T00312	TAP SCR TH 3 × 12
204	000-T00430-0C	M SCR TH CRM M4 × 30

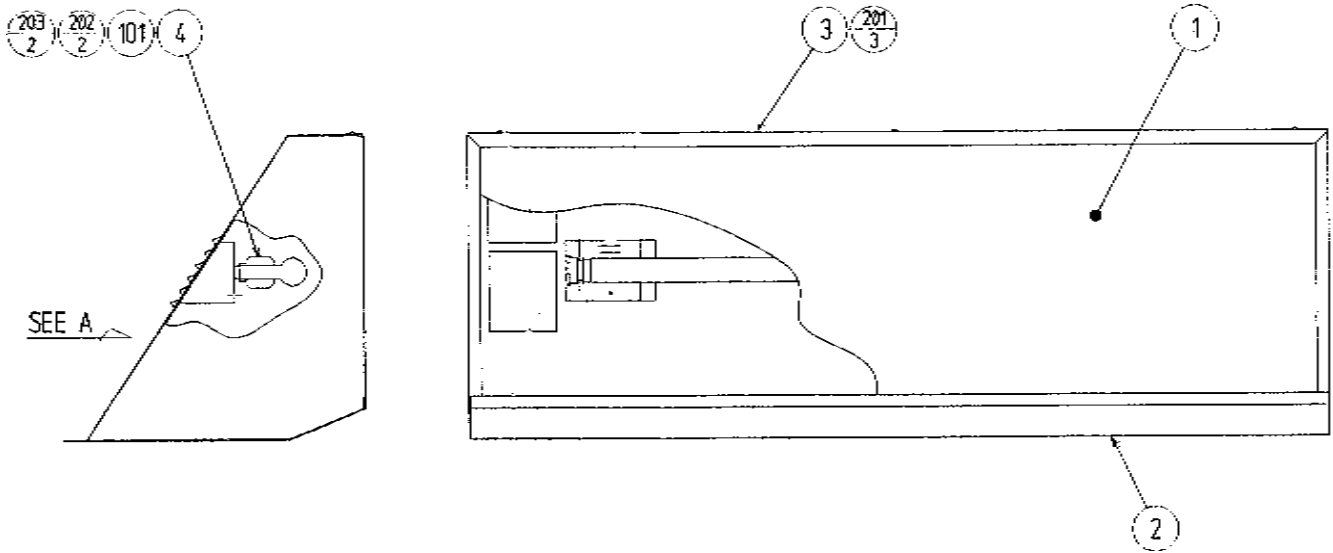
ASSY MASK (MGL-1150)



1

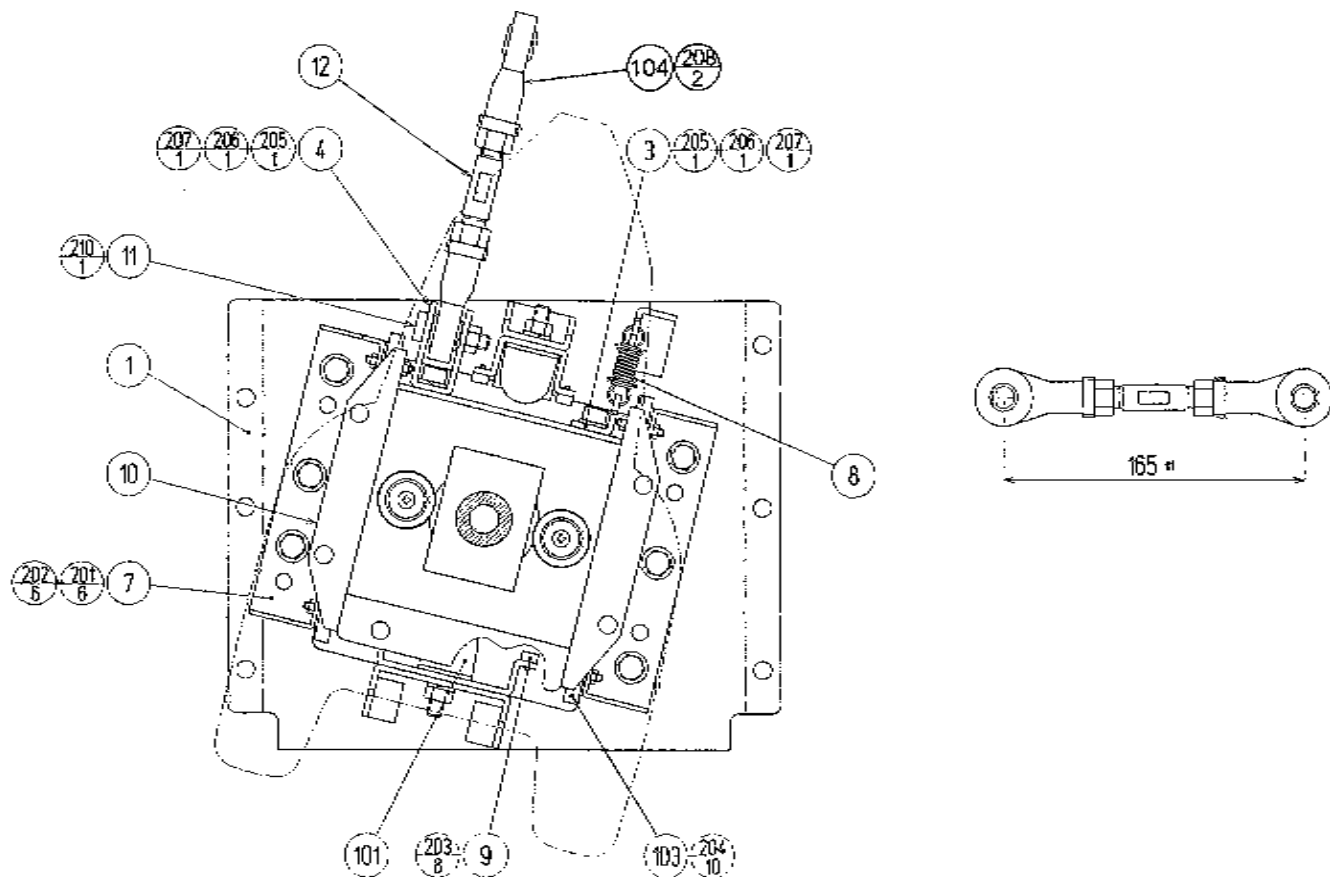
ITEM NO.	PART NO.	DESCRIPTION
1	MGL-1102	TV MASK
2	MGL-1151	SLIT PLATE
3	MGL-1152	MASK SIDE HOLDER
201	012-F00408-0B	TAP SCR #2 FH BLK 4 × 8
202	000-F00410	M SCR FH M4 × 10

ASSY BILLBOARD (OCN-1200)



ITEM NO.	PART NO.	DESCRIPTION
1	OCN-1201	BILLBOARD
2	OCN-1202	BILLBOARD BOX
3	OCN-1203	BILLBOARD HOLDER
4	LOCAL PURCHASE	FL HOLDER
101	LOCAL PURCHASE	ASSY FL30W EX W/CONN HIGH T CE
102	280-5275-SR10	CORD CLAMP SR1
201	000-T00408-0C	M SCR TH CRM M4 × 8
202	000-P00430-S	M SCR PH W/S M4 × 30
203	068-441616	FLT WSHR 4.4-16 × 1.6

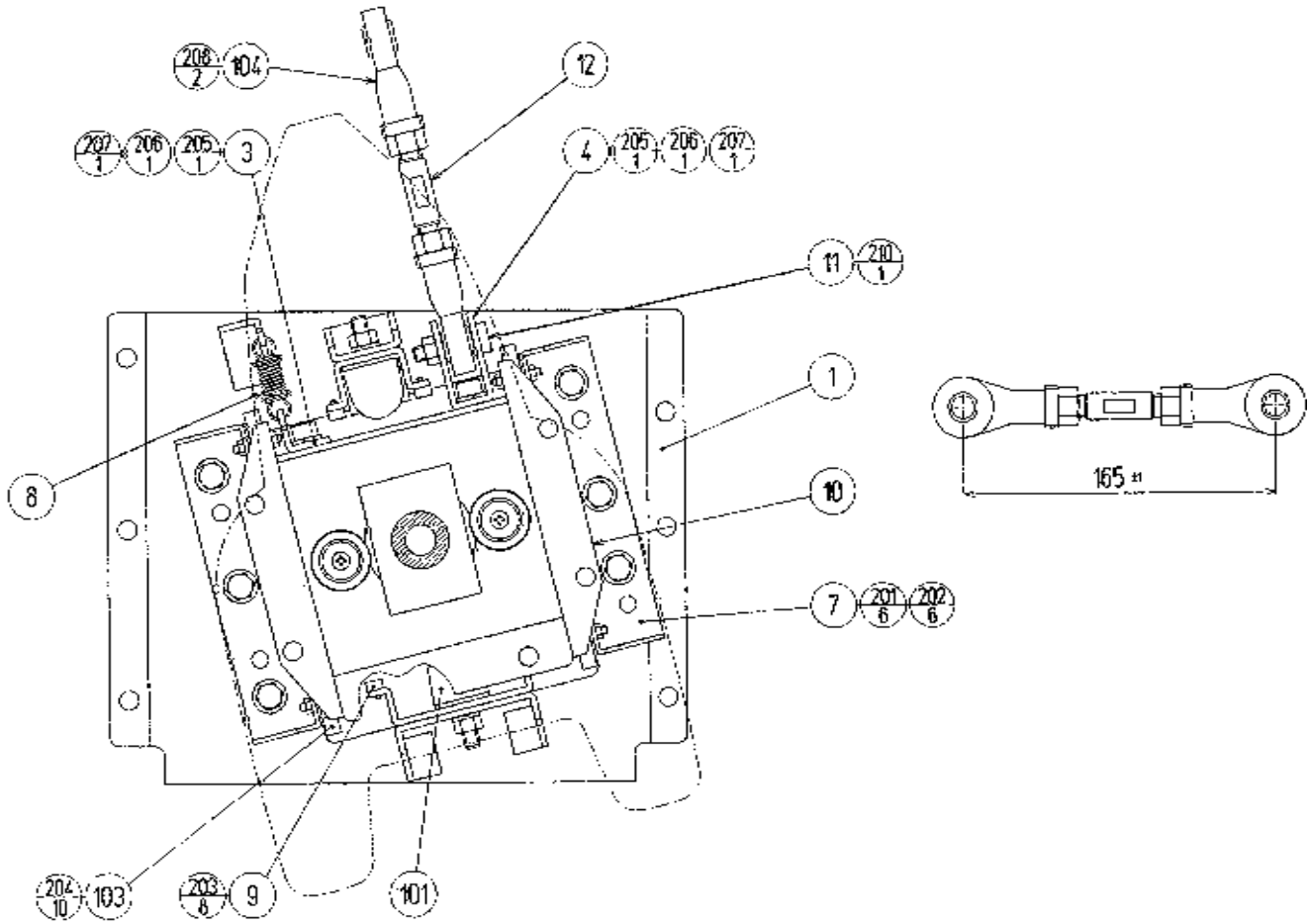
# ASSY CONTRL MECHA L (OCN-2050)



ITEM NO.	PART NO.	DESCRIPTION
1	OCN-2051	CONTROLLER BASE L
3	OCN-2053	SPRING HOOK L
4	OCN-2054	LINK BRKT L
7	OCN-2057	SLIDE RAIL BRKT
8	OCN-2058	EXT SPRING
9	OCN-2059	RUBBER PLATE
10	OCN-2500	ASSY CONTROLLER
11	OCN-2004X	SHAFT
12	OCN-2005	ROD M12
101	601-8541	STOPPER RI-30
103	100-5169	SLIDE RAIL
104	100-5307	RODEND RBH12
201	030-000820-S	HEX BLT W/S M8 × 20
202	060-F00800	FLT WSHR M8
203	000-F00308	M SCR FH M3 × 8
204	050-U00400	U NUT M4
205	020-000820-OZ	HEX SKT H CAP SCR BLK OZ M8 × 20
206	030-000812-S	HEX BLT W/S M8 × 12
207	060-S00800-0B	SPR WSHR BLK M8
208	050-H01200	HEX NUT M12
210	050-U00800	U NUT M8

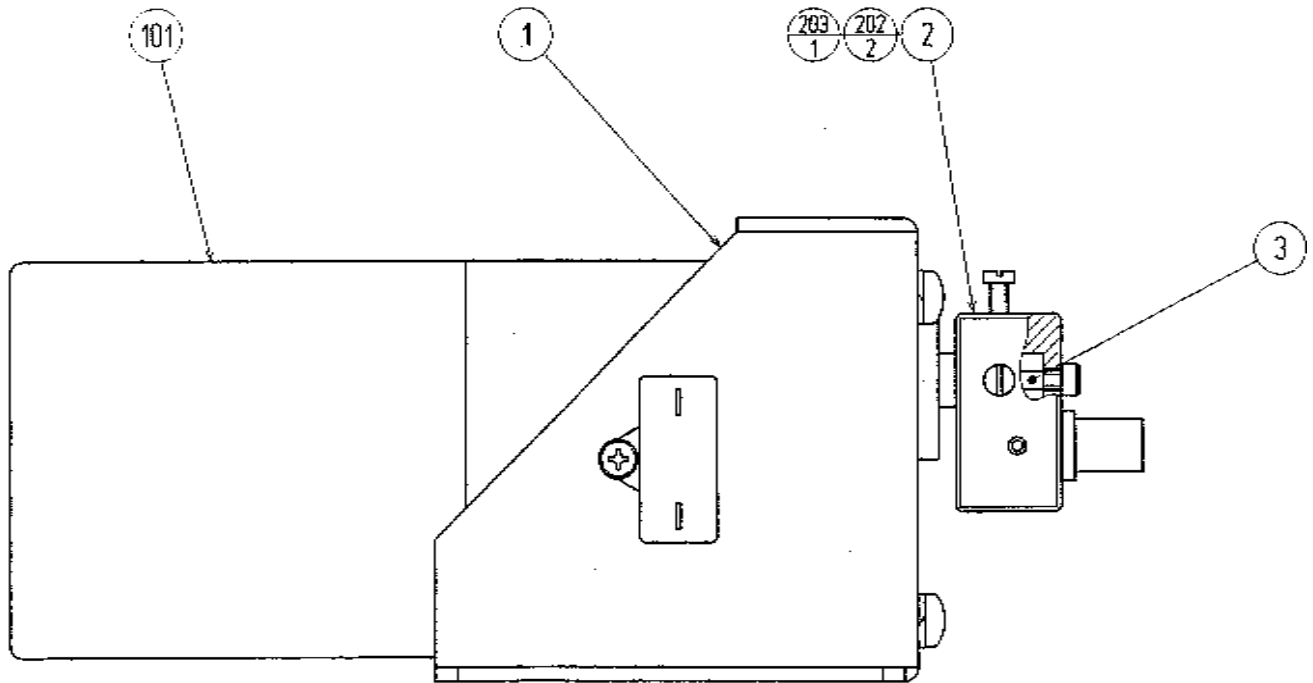


ASSY CONTRL MECHA R (OCN-2070)



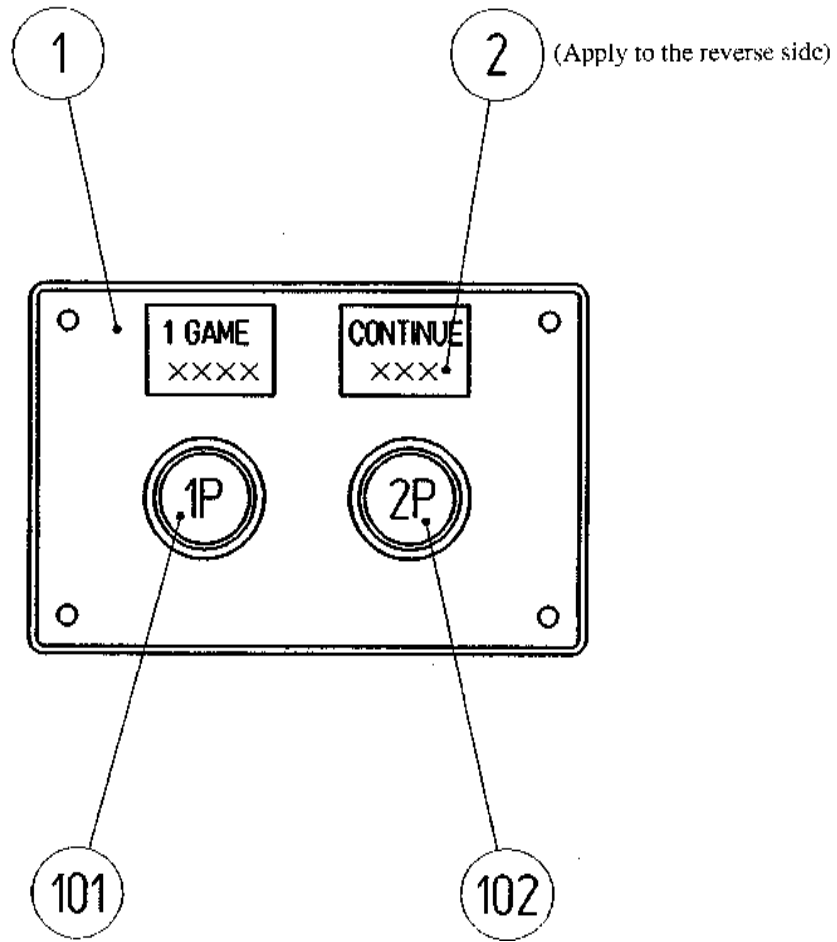
ITEM NO.	PART NO.	DESCRIPTION
1	OCN-2071	CONTROLLER BASE R
3	OCN-2073	SPRING HOOK R
4	OCN-2074	LINK BRKT R
7	OCN-2057	SLIDE RAIL BRKT
8	OCN-2058	EXT SPRING
9	OCN-2059	RUBBER PLATE
10	OCN-2500	ASSY CONTROLLER
11	OCN-2004X	SHAFT
12	OCN-2005	ROD M12
101	601-8541	STOPPER RI-30
103	100-5169	SLIDE RAIL
104	100-5307	RODEND RBH12
201	030-000820-S	HEX BLT W/S M8 × 20
202	060-F00800	FLT WSHR M8
203	000-F00308	M SCR FH M3 × 8
204	050-U00400	U NUT M4
205	020-000820-OZ	HEX SKT H CAP SCR BLK OZ M8 × 20
206	030-000812-S	HEX BLT W/S M8 × 12
207	060-S00800-0B	SPR WSHR BLK M8
208	050-H01200	HEX NUT M12
210	050-U00800	U NUT M8

ASSY CLUTCH MOTOR (OCN-2100)



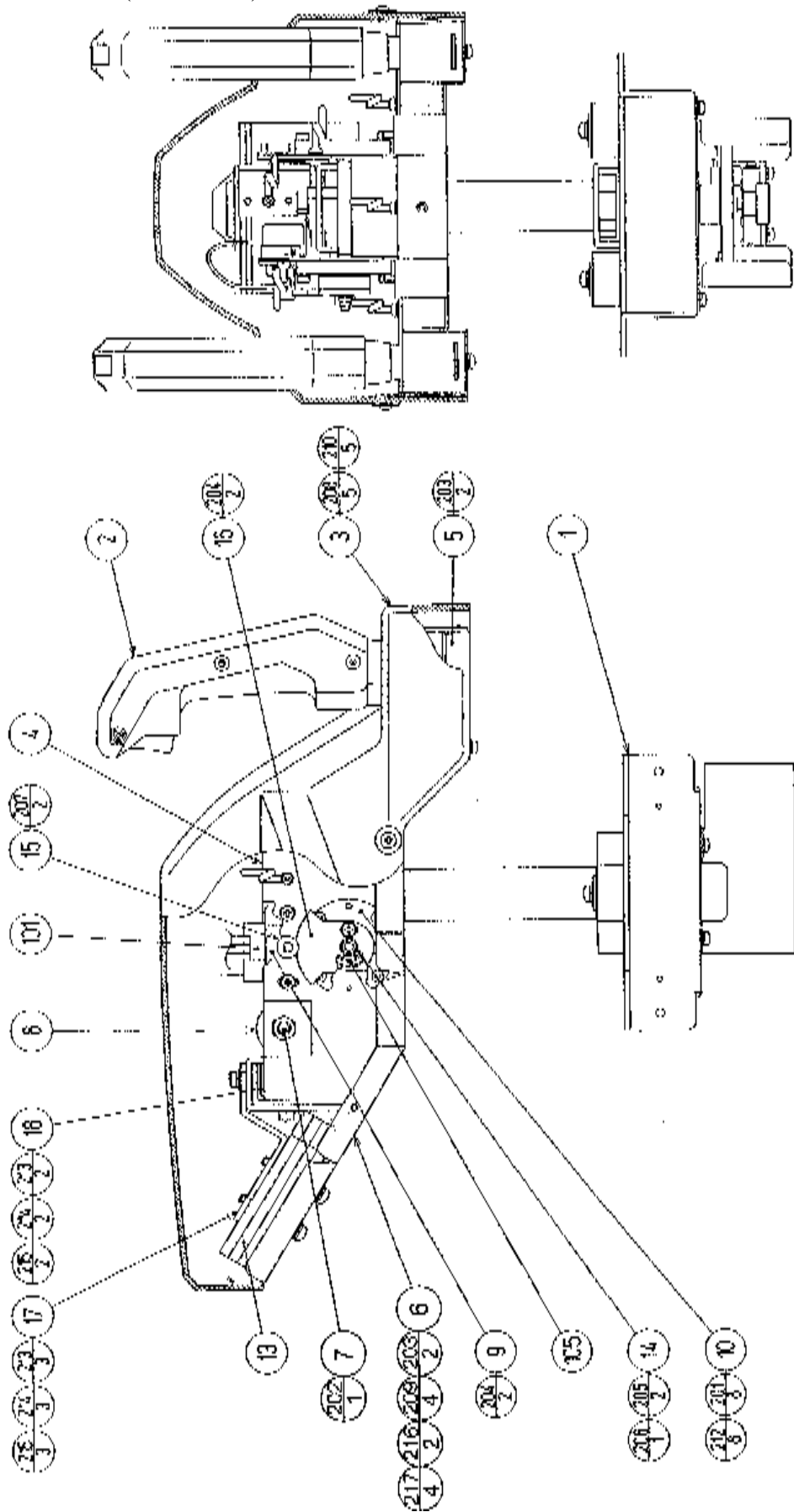
ITEM NO.	PART NO.	DESCRIPTION
1	OCN-2101	MOTOR BRKT
2	OCN-2102	CAM
3	OCN-2103	KEY 4 × 4 × 20
101	350-5562-01	GEARED MOTOR-CLUTCH UNIT W/S.P
201	000-P00410-W	M SCR PH W/FS M4 × 10
202	028-C00416-P	SET SCR CH CUP P M4 × 16
203	020-000412-OZ	HEX SKT H CAP SCR BLK OZ M4 × 12

ASSY START SWITCH (OCN-2200)



ITEM NO.	PART NO.	DESCRIPTION
1	OCN-2201	START SW PLATE
2	421-7907- ~	DENOMI SH ~
101	509-5610-04YE	SW PB 30M YELLOW W/L 1P 5V 3W
102	509-5610-05YE	SW PB 30M YELLOW W/L 2P 5V 3W

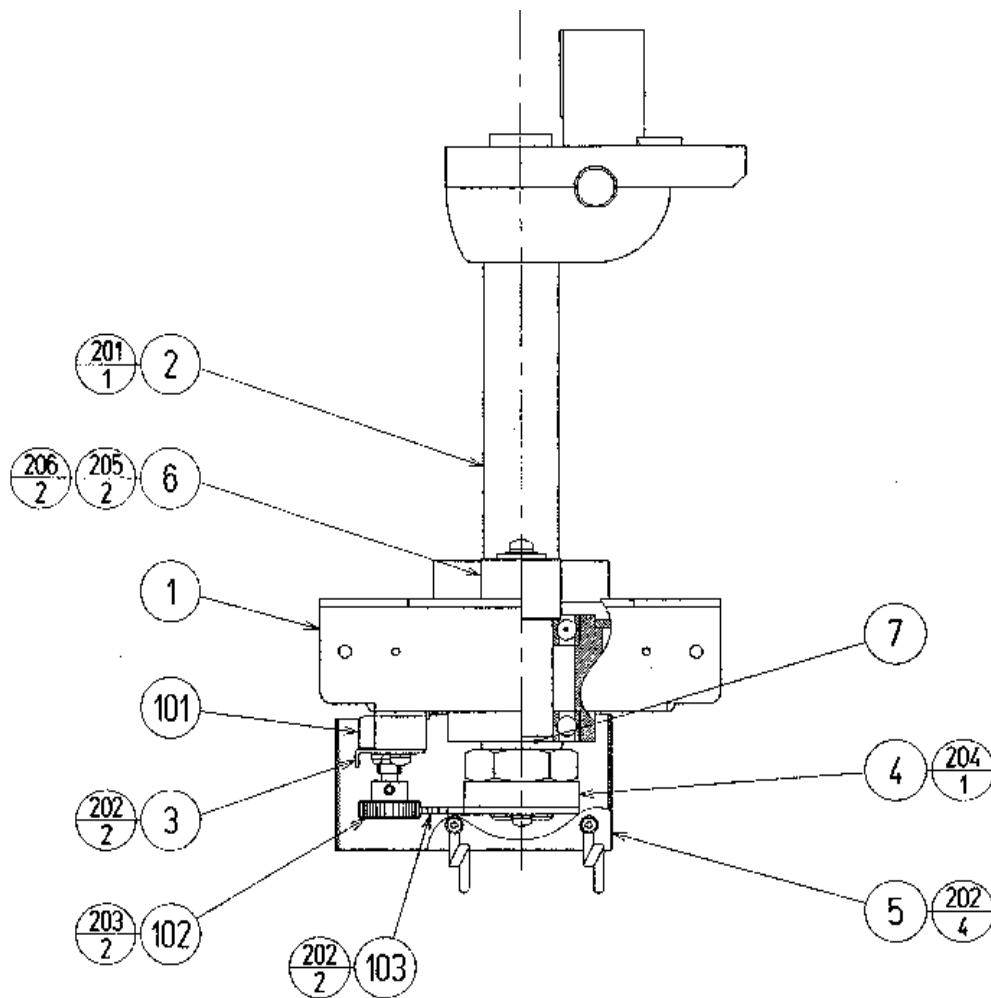
ASSY CONTROLLER (OCN-2500)



ASSY CONTROLLER (OCN-2500)

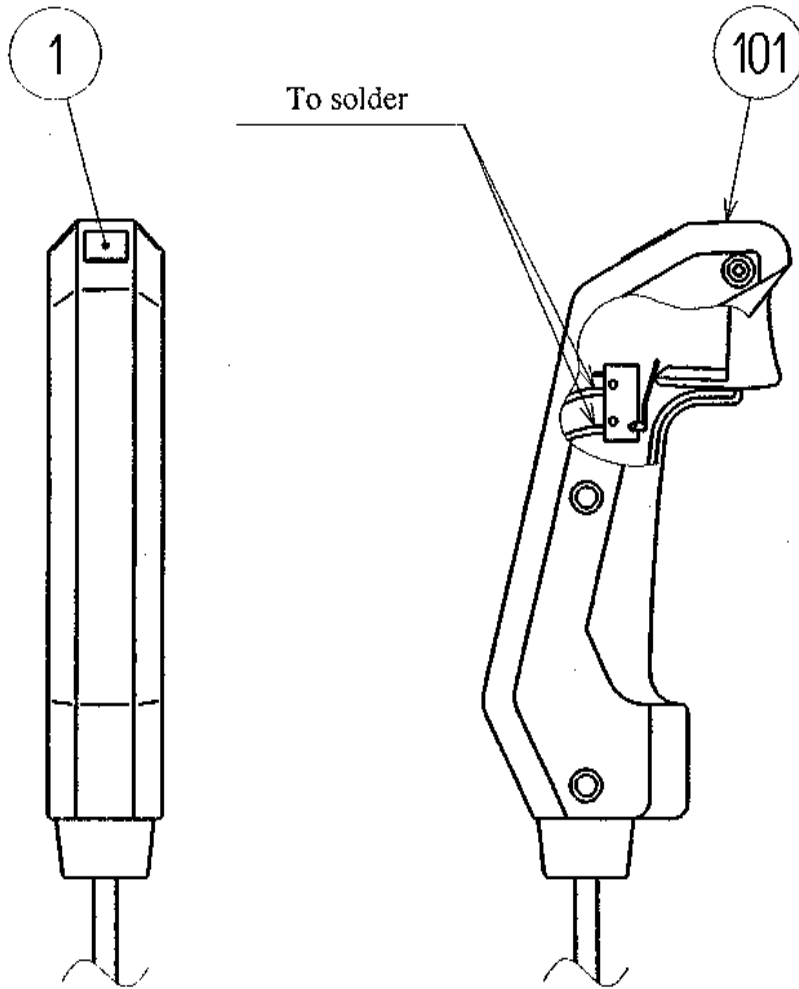
ITEM NO.	PART NO.	DESCRIPTION
1	OCN-2550	ASSY SWING BASE
2	OCN-2600	ASSY GRIP
3	OCN-2001	CONTROLLER COVER
4	OCN-2501X	PITCH BASE
5	OCN-2502	GRIP LID
6	OCN-2503	LOWER COVER
7	OCN-2504	STOPPER SHAFT
8	OCN-2505	STOPPER RUBBER
9	OCN-2506	VR BRKT PITCH
10	OCN-2507	HOUSING
13	OCN-2510	WEIGHT LOWER
14	TTR-2009	GEAR HOLDER 80
15	601-7944	GEAR 15
16	601-6005	ADJUST GEAR
17	OCN-2511	WEIGHT BRKT UPPER
18	OCN-2512	WEIGHT BRKT LOWER
101	220-5484	VOL CONT B-5K OHM
105	100-5329	BEARING 15 (6802ZZ)
201	020-000412-0Z	HEX SKT H CAP SCR BLK 0Z M4 × 12
202	050-U00800	U NUT M8
203	000-P00410-WB	M SCR PH BLK W/FS M4 × 10
204	000-P00408-W	M SCR PH W/FS M4 × 8
205	028-A00408-P	SET SCR HEX SKT CUP P M4 × 8
206	050-U00500	U NUT M5
207	028-A00304-P	SET SCR HEX SKT CUP P M3 × 4
208	000-T00408-0C	M SCR TH CRM M4 × 8
209	050-U00400	U NUT M4
210	068-441616-0C	FLT WSHR CRM 4.4-16 × 1.6
212	060-S00400-0B	SPR WSHR BLK M4
213	020-000520-0Z	HEX SKT H CAP SCR BLK M5 × 20
214	060-S00500-0B	SPR WSHR BLK M5
215	060-F00500-0B	FLT WSHR BLK M5
216	000-P00540-WB	M SCR PH W/FS BLK M5 × 40
217	060-F00400	FLT WSHR M4

ASSY SWING BASE (OCN-2550)



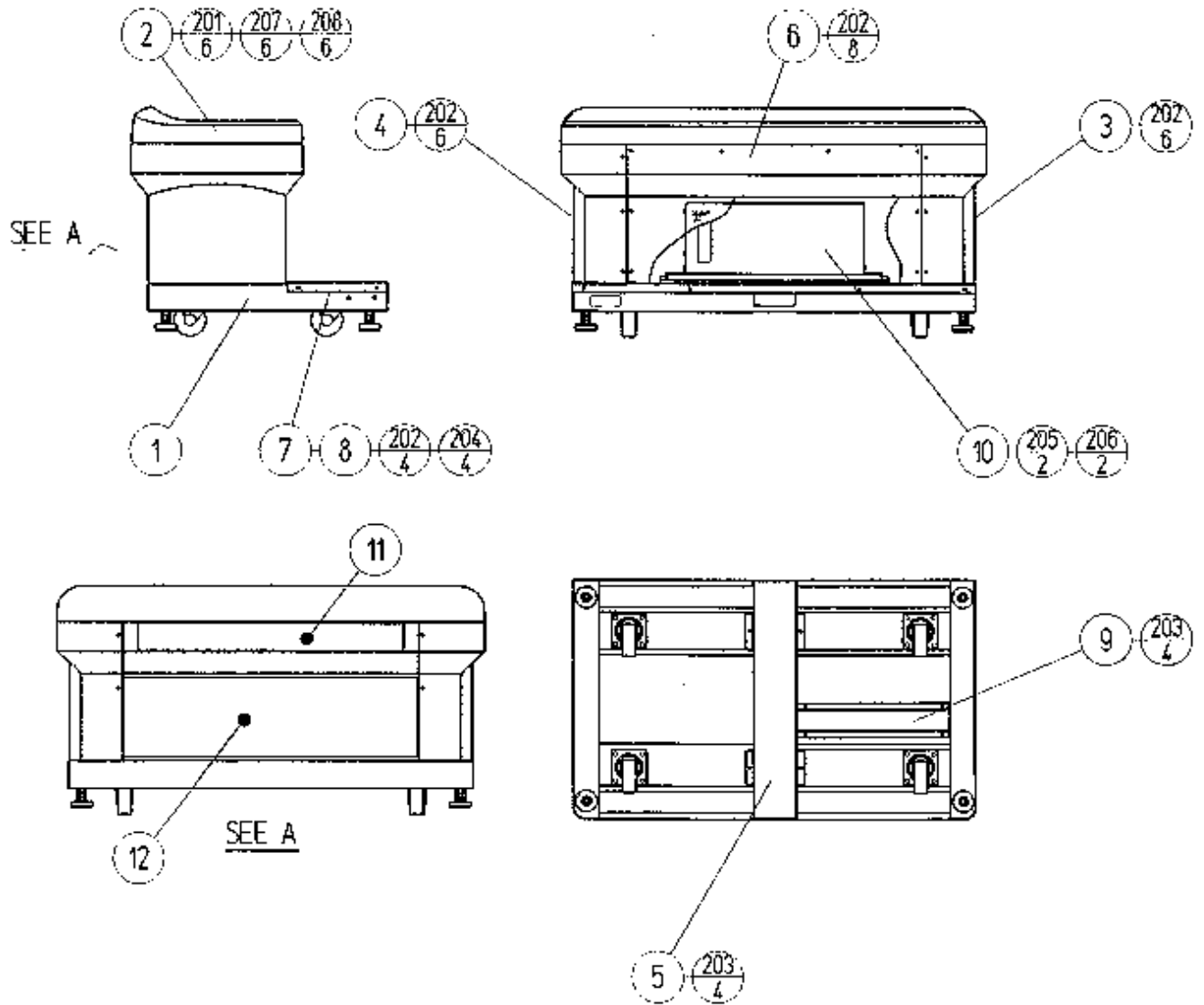
ITEM NO.	PART NO.	DESCRIPTION
1	OCN-2551X	SWING BASE
2	OCN-2552	SWING SHAFT
3	OCN-2553	VR BRKT SWING
4	OCN-2554	GEAR HOLDER
5	OCN-2555	STAND BRKT
6	OCN-2556	BOTTOM STOPPER
7	OCN-2557	COLLAR
101	220-5484	VOL CONT B-5K OHM
102	601-6555	GEAR Z=30 M=0.75
103	601-6450	GEAR 110
201	FAS-500022	HEX NUT P1.5 #3 M22
202	000-P00410-W	M SCR PH W/FS M4 × 10
203	028-A00404-P	SET SCR HEX SKT CUP P M4 × 4
204	000-P00316-W	M SCR PH W/FS M3 × 16
205	000-P00512-W	M SCR PH W/FS M5 × 12
206	068-552016-OC	FLT WSHR CRM 5.5-20 × 1.6

ASSY GRIP (OCN-2600)



ITEM NO.	PART NO.	DESCRIPTION
1	OCN-2601	THUMB LID
101	610-0547	ASSY TRIGGER HANDLE W/O THUMB

ASSY SEAT & BASE (OCN-3000)

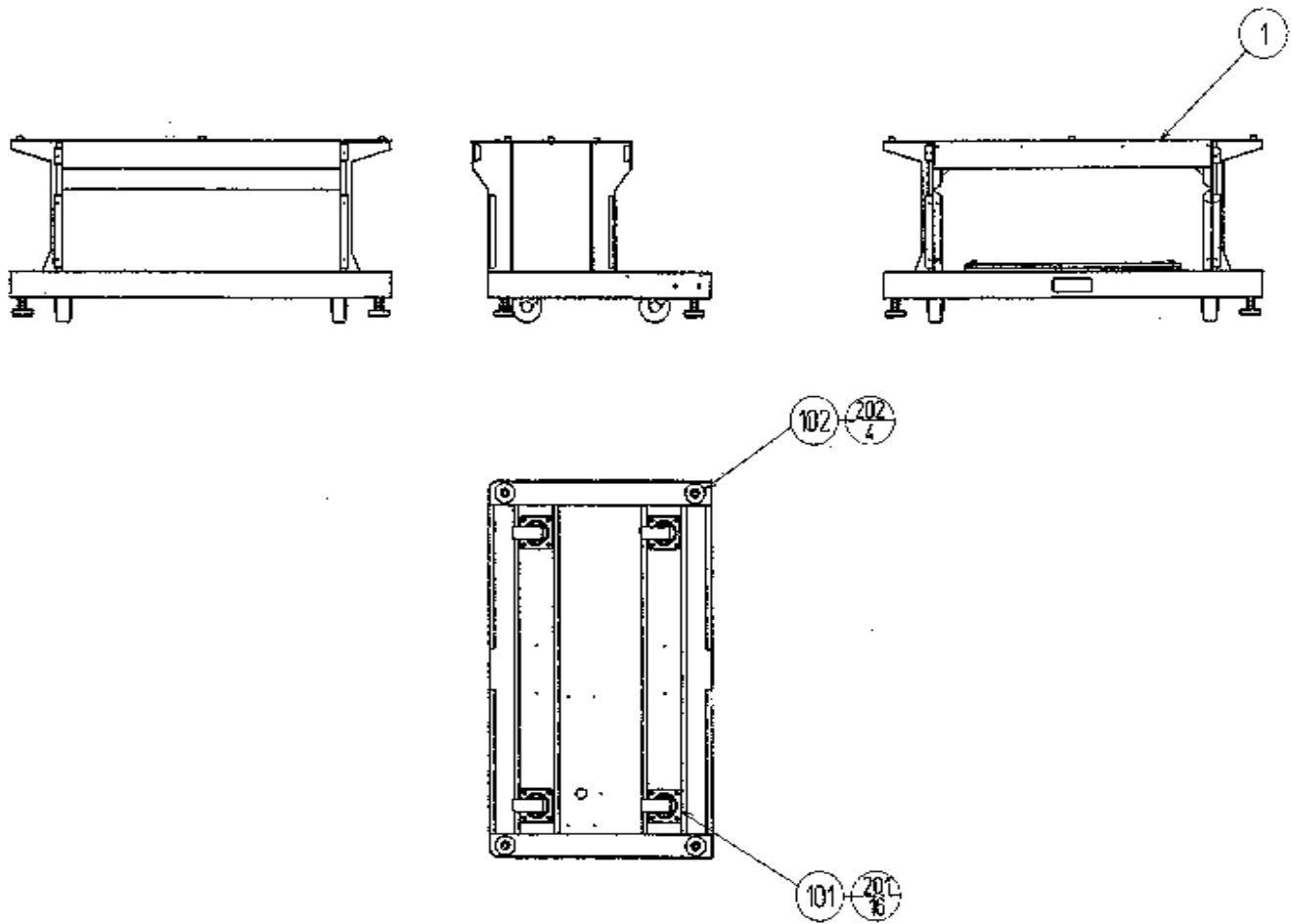




ASSY SEAT & BASE (OCN-3000)

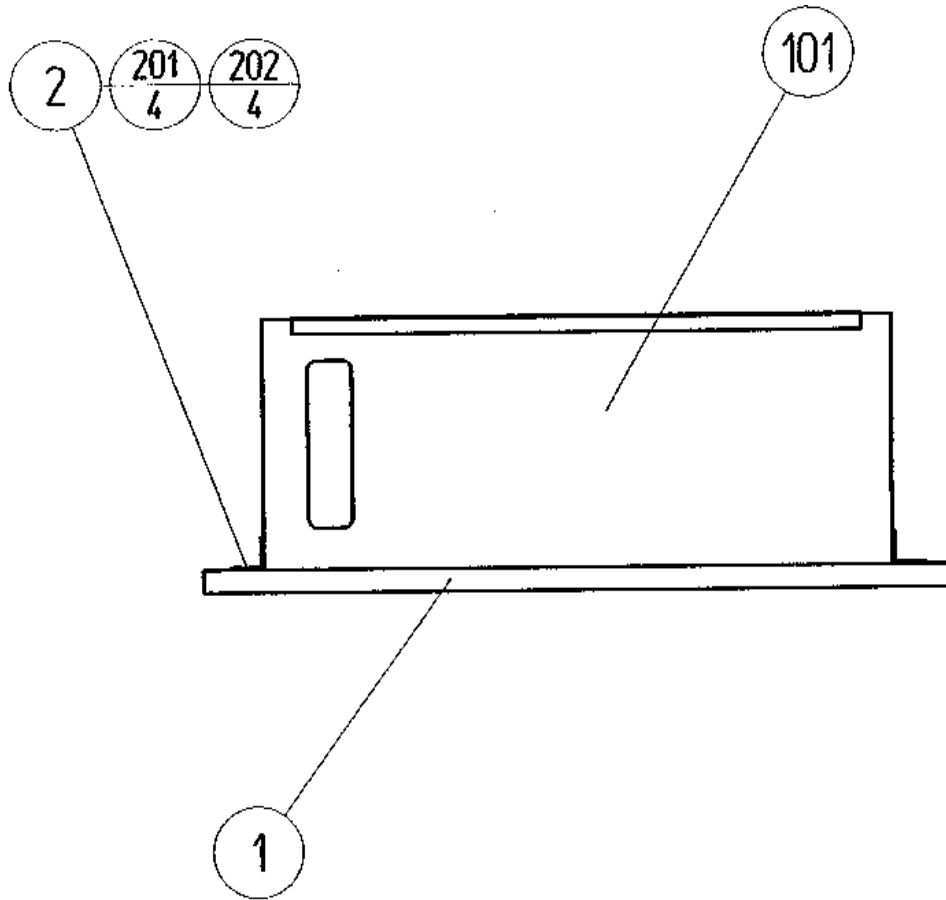
ITEM NO.	PART NO.	DESCRIPTION
1	OCN-3001	BASE
2	OCN-3002	SEAT
3	OCN-3003	SEAT SIDE COVER L
4	OCN-3004	SEAT SIDE COVER R
5	MGL-3004	WIRE COVER
6	MGL-3007	SPEAKER LID
7	MGL-3008	FLOOR MAT REAR
8	MGL-3009	EDGE GUARD
9	MGL-3010	WIRE COVER S
10	GFR-3004	ASSY SUPER WOOFER
11	OCN-3001-B	STICKER SEAT UPPER
12	OCN-3001-C	STICKER SEAT LOWER
101	280-5187-26	OPEN LOCK BUSH 26
201	000-P00618	M SCR PH M6 × 18
202	000-T00410-0C	M SCR TH CRM M4 × 10
203	000-P00408-W	M SCR PH W/FS M4 × 8
204	000-F00308	M SCR FH M3 × 8
205	032-000425	WING BLT M4 × 25
206	068-441616	FLT WSHR 4.4-16 × 1.6
207	060-S00600	SPR WSHR M6
208	068-652016	FLT WSHR 6.5-20 × 1.6

BASE (OCN-3001)



ITEM NO.	PART NO.	DESCRIPTION
1	MGL-3001X-A	BASE BLANK
101	601-6224	CASTER $\phi$ 75
	601-9377	CASTER FAI=75
102	601-6063	LEG ADJ 50
201	030-000620-S	HEX BLT W/S M6 $\times$ 20
202	050-H01200	HEX NUT M12

ASSY SUPER WOOFER (GFR-3004)



ITEM NO.	PART NO.	DESCRIPTION
1	MGL-3005	SPEAKER BASE
2	MGL-3006	SPEAKER BRKT
101	130-5097	SPEAKER BOX SUPER WOOFER
201	011-T00312	TAP SCR TH 3 × 12
202	000-P00516-W	M SCR PH W/FS M5 × 16